

115/230 VAC OUTPUT (TRIAC)
IC630MDL375A

The 115/230 Vac Output module provides 16 circuits each capable of controlling user supplied discrete (ON/OFF) loads. Typical loads include relay coils, motor starters, solenoid valves and indicator lights. The 16 circuits are divided into two groups of 8 circuits, each having its own common. Each group can be supplied from a separate power source. Power to operate the field devices must be supplied by the user. Each group of 8 outputs is protected by a 5 amp fuse. Maximum switching capacity of the output circuits is 2 amps. Specifications for this module are listed below.

Output points	16 with LED Indicators
User Supplied Voltage	97 - 265 Vac
ON delay	< 0.1 ms
OFF delay	< 1/2 cycle
Output Current (ON)	
Minimum	25 mA
Maximum	2 A
Leakage (OFF)	2.7 mA (115V, 50 Hz) 3.3 mA (115V, 60 Hz) 5.5 mA (230V, 50 Hz) 6.6 mA (230V, 60 Hz)
Inrush Current	20A for 1 cycle
Fuse Rating	5A for each 8 circuits
Internal Power Consumption	5 Vdc, 35 mA 12 Vdc, 20 mA + 17.5 mA/point

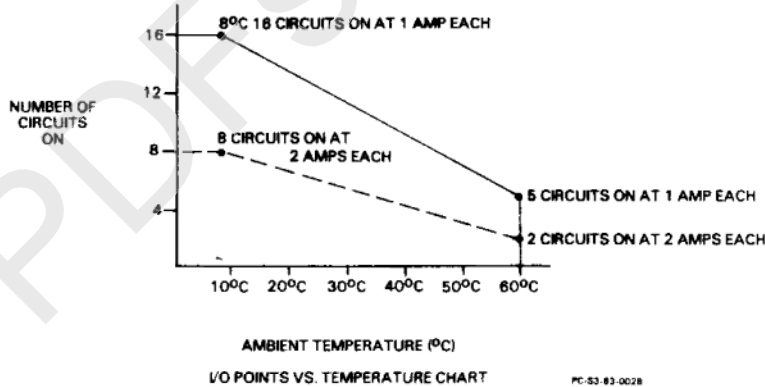


Figure 6.3 provides user wiring information for the 115/230 VAC output module.

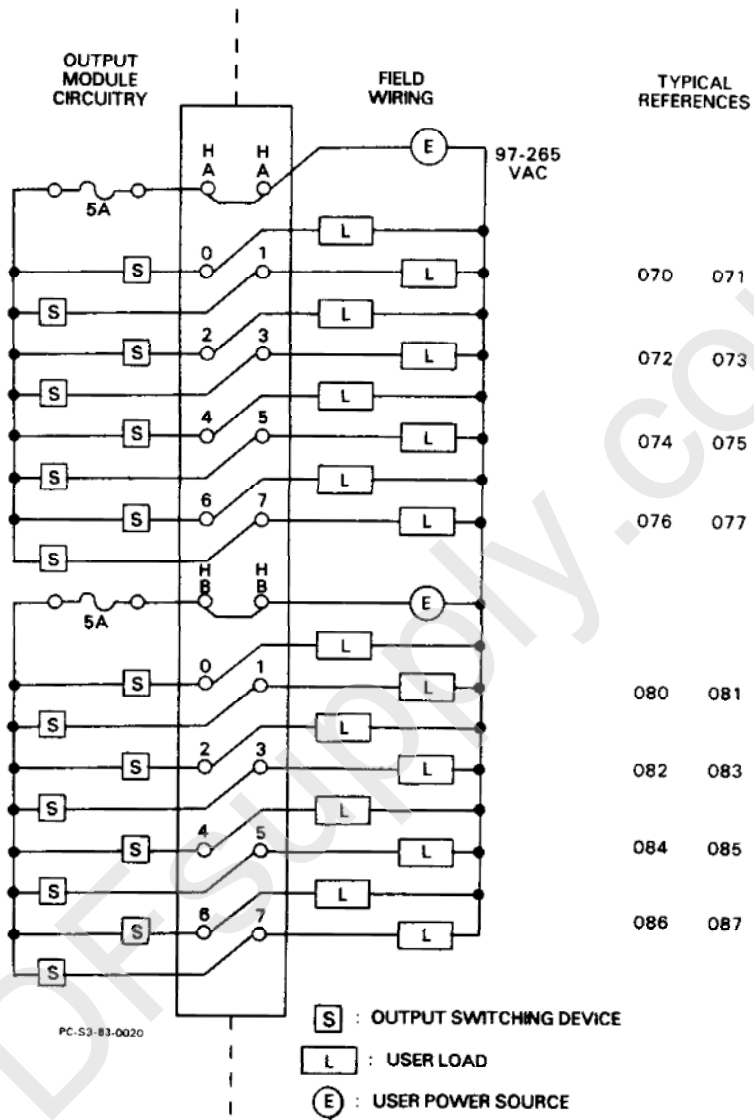


Figure 6.3
115/230 VAC OUTPUT, TYPICAL USER CONNECTIONS