



To download fullsize color .pdf Ziplink Wiring Diagrams go to www.Automationdirect.com website

ZIPLINK™
Automationdirect.com
800-633-0405

ZipLink Ready to Wire Pigtail Cable Installations

Ziplink ready-to-wire pigtail cables allow the use of Ziplink Modules (Feed-Through, Fuse, Relay, or LED versions, either 8 or 16 channel) with any brand of PLC.

Simply wire the Ziplink cable to your PLC I/O module, and plug the other end of the Ziplink cable into the Ziplink Module for a fast, easy connection!

Steps:

- 1) Mount the Ziplink Module to a DIN rail (such as P/N DN-R35S1).
- 2) Confirm the match of the correct pigtail cable to the correct Ziplink Module:

ZL-2CBL2-2P works with:

Cable Type	ZL-2CBL2-2P
ZipLink Module Type	ZL-CM20
	ZL-CM08TF
	ZL-CM16TF1
	ZL-CM08RL24
	ZL-CM16RL24A
	ZL-CM08RL120
	ZL-CM16RL120A
	ZL-CM08L24
	ZL-CM08L120

ZL-3CBL3-2P works with:

Cable Type	ZL-3CBL3-2P
ZipLink Module Type	ZL-CM24
	ZL-CM16TF2
	ZL-CM16RL24B
	ZL-CM16RL120B
	ZL-CM16L24
	ZL-CM16L120

- 3) Locate the correct Ziplink Module wiring diagram in the Wiring Diagram document.
- 4) Match the Ziplink Module terminal block points with the Ziplink Cable 20 or 24 pin connector pin numbers and associated wire colors (as indicated on the Ziplink cable drawing).
- 5) Plug the Ziplink Ready-to-Wire Pigtail Cable 20 or 24 pin connector into Ziplink Module 20 or 24 pin socket.
- 6) Wire the Ziplink cable to the PLC I/O module according to which Ziplink Module terminal block position you desire the particular wire to land. A manufacturer's drawing of your PLC I/O module pinout will be necessary as a reference tool in this step.
- 7) Connect the appropriate power supply to the Ziplink Module where required by the Wiring Diagram.

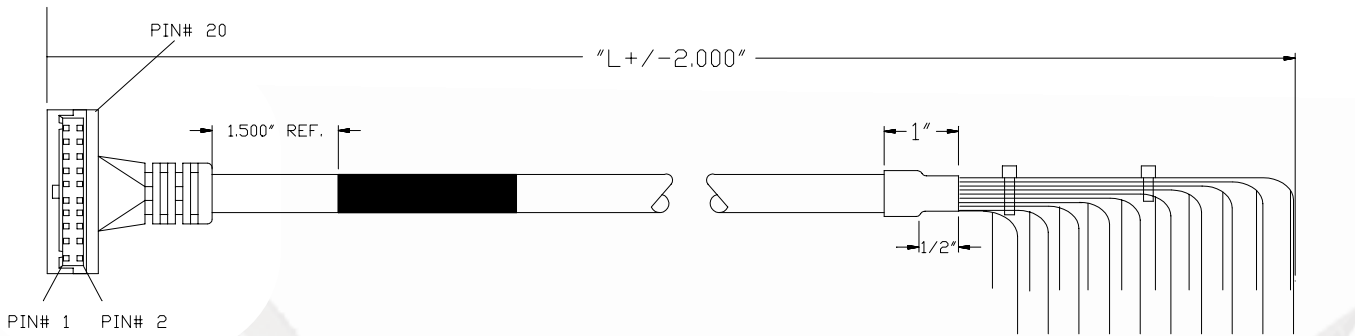


To download fullsize color .pdf Ziplink Wiring Diagrams go to www.Automationdirect.com website

ZIP LINK™
Automationdirect.com

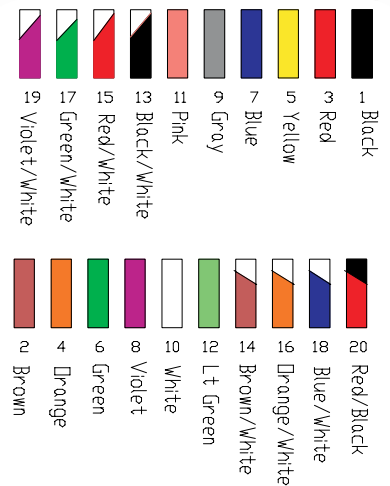
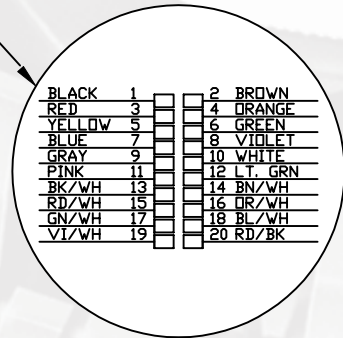
800-633-0405

Wiring Diagram: Cable ZL-2CBL2-2P

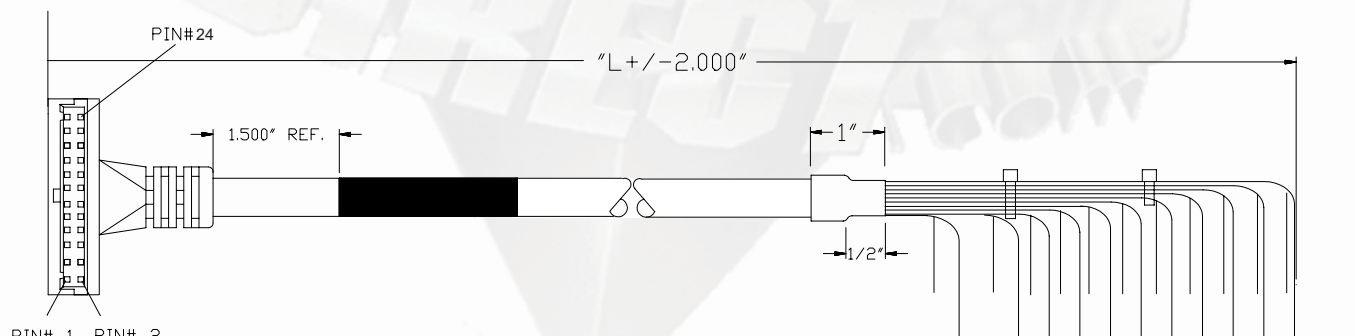


ZL-2CBL2 (0.5 METER)
ZL-2CBL2-1 (1 METER)
ZL-2CBL2-2 (2 METER)

20 POS CONN
3M P/N CHG-2020-J01010-KEP

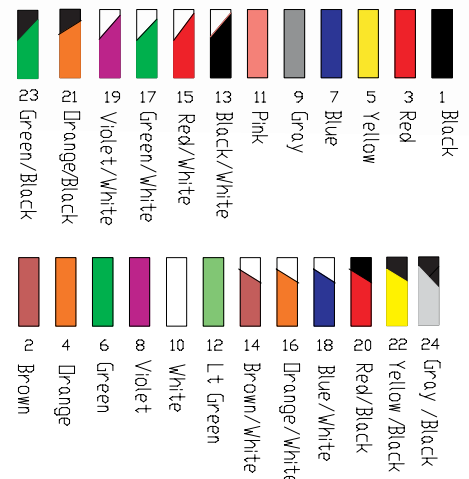
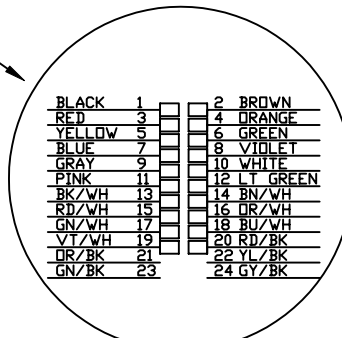


Wiring Diagram: Cable ZL-3CBL3-2P



ZL-3CBL3 (0.5 METER)
ZL-3CBL3-1 (1 METER)
ZL-3CBL3-2 (2 METER)

24 POSITION CONNECTOR
3M P/N CHG-2024-J01010-KEP

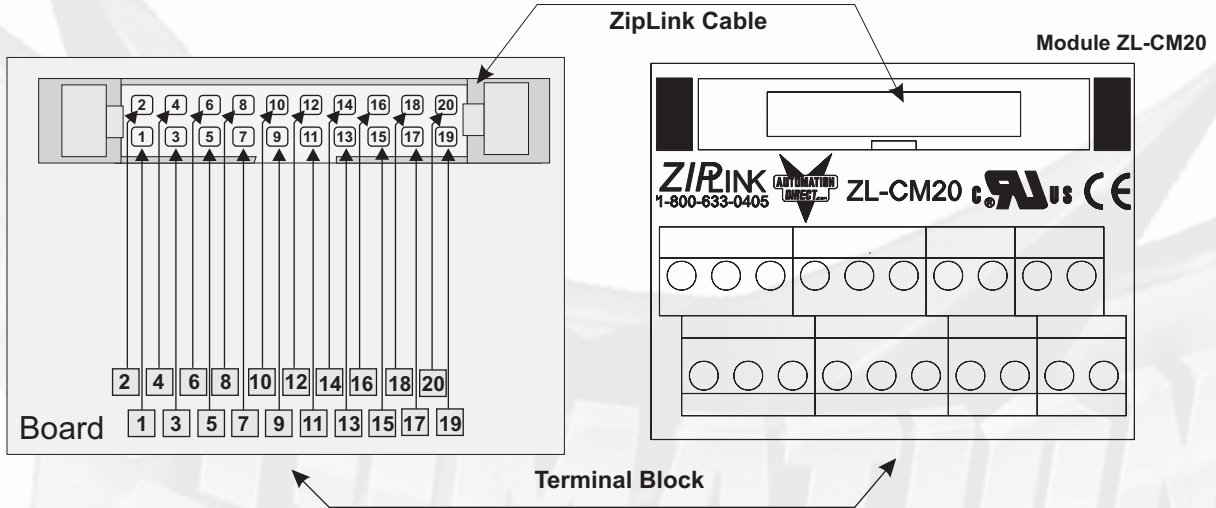




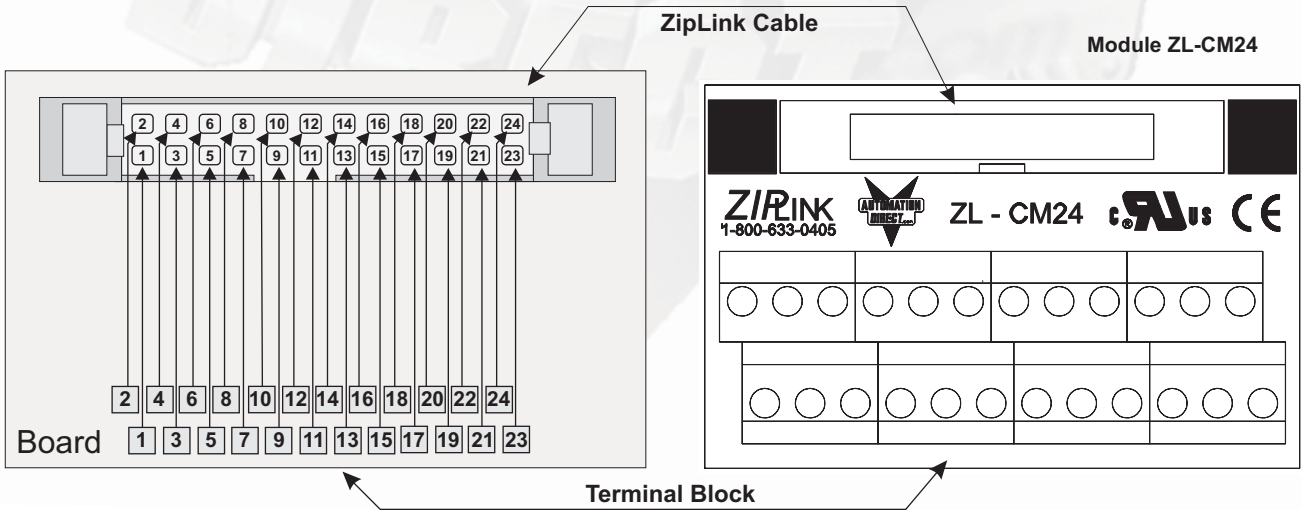
To download fullsize color .pdf Ziplink Wiring Diagrams go to www.Automationdirect.com website

ZIP LINK™
Automationdirect.com
800-633-0405

Wiring Diagram: Cable ZL-CM20



Wiring Diagram: Cable ZL-CM24

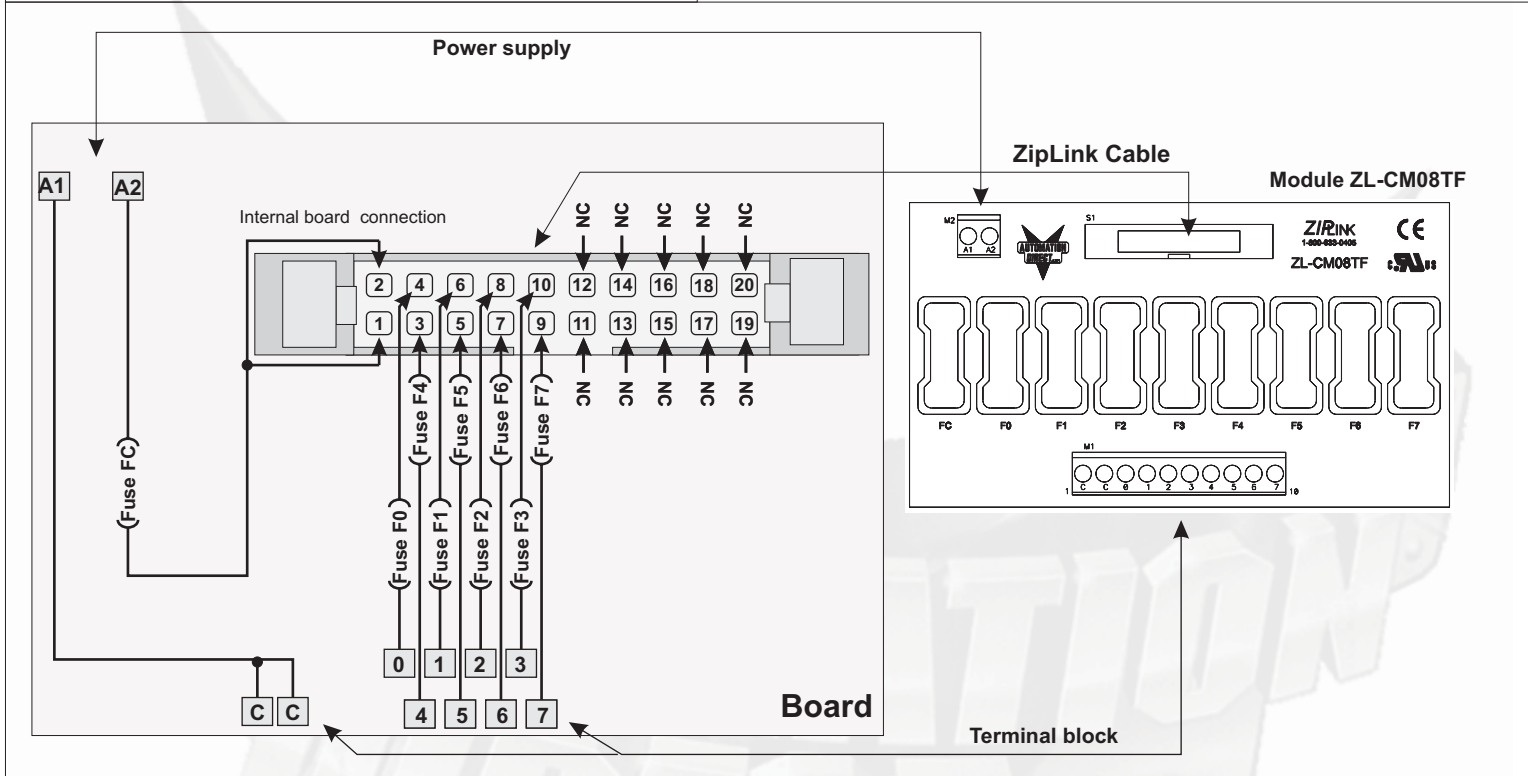




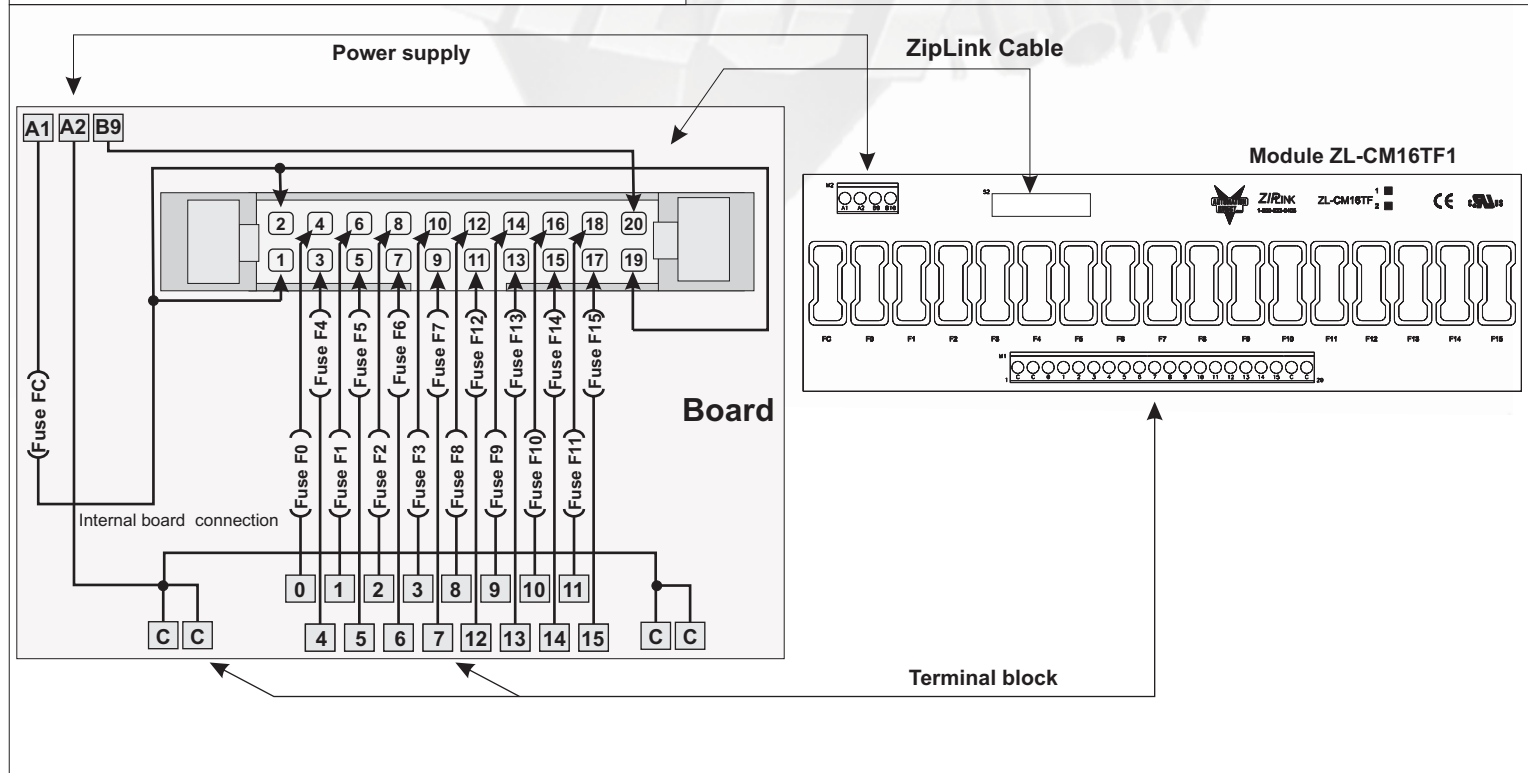
To download fullsize color .pdf Ziplink Wiring Diagrams go to www.Automationdirect.com website

ZIP LINKTM
Automationdirect.com
800-633-0405

Wiring Diagram: Power Supply and Cable ZL-CM08TF



Wiring Diagram: Power Supply and Cable ZL-CM16TF1

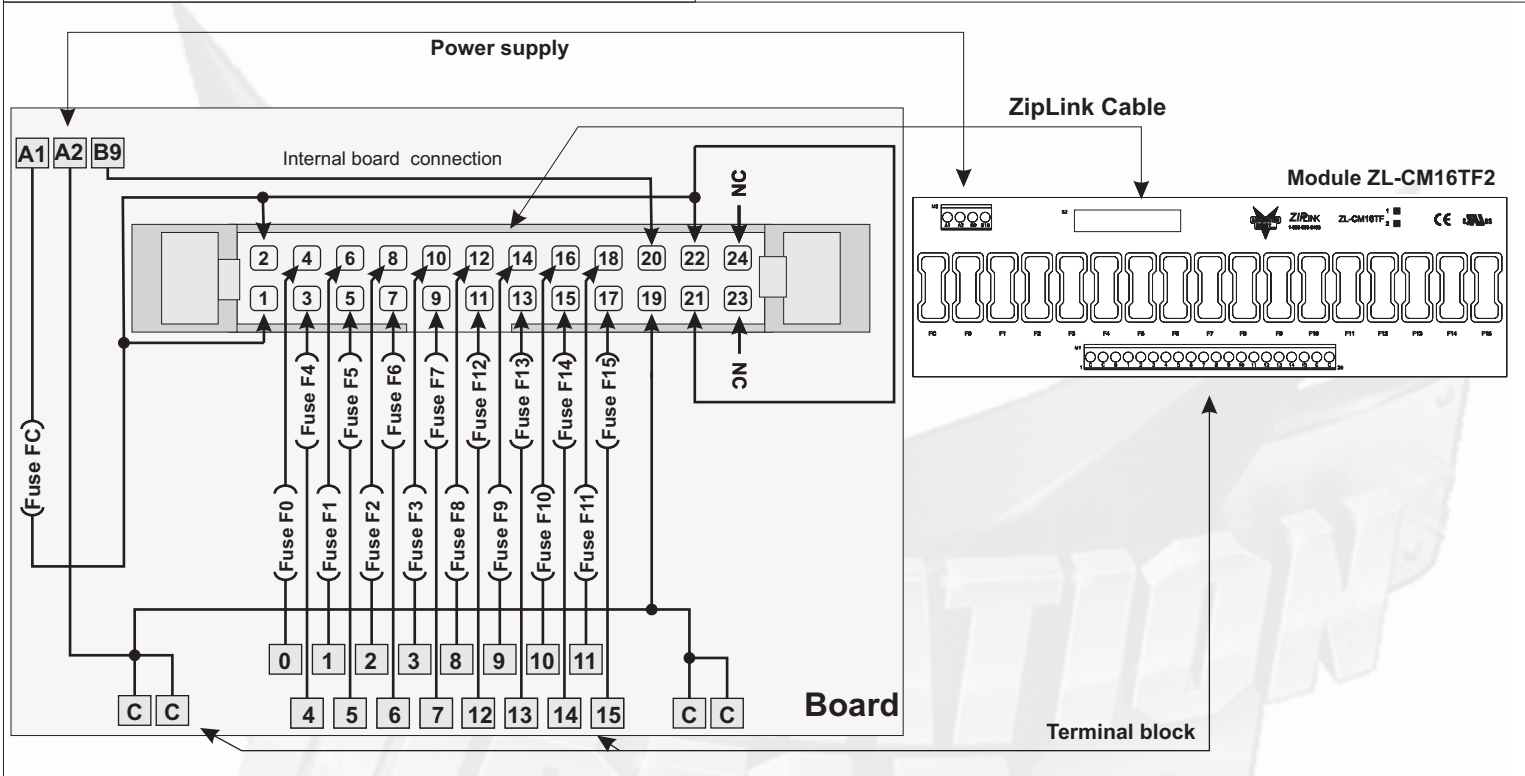




To download fullsize color .pdf Ziplink Wiring Diagrams go to www.Automationdirect.com website

ZIPLINK™
Automationdirect.com
800-633-0405

Wiring Diagram: Power Supply and Cable ZL-CM16TF2

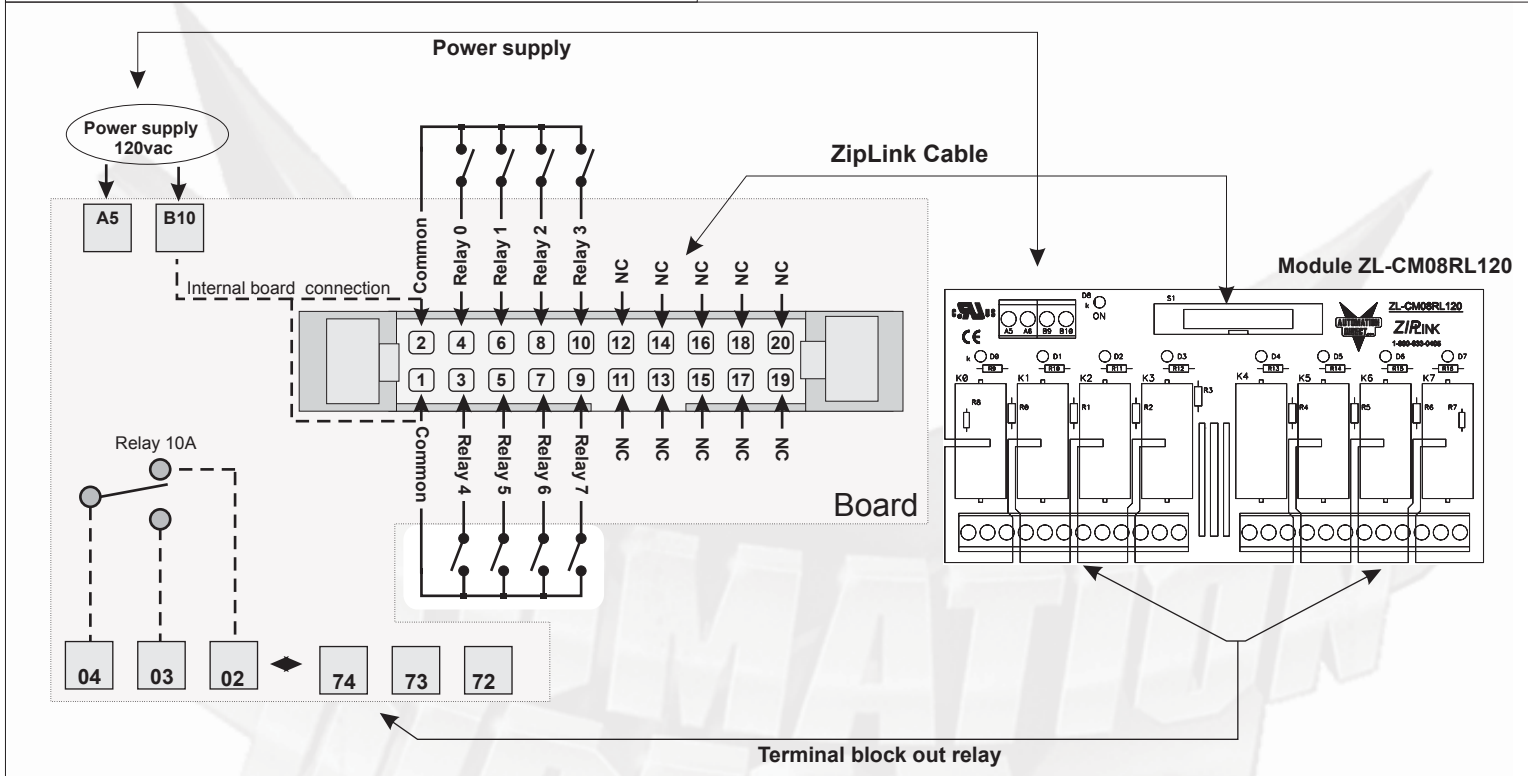




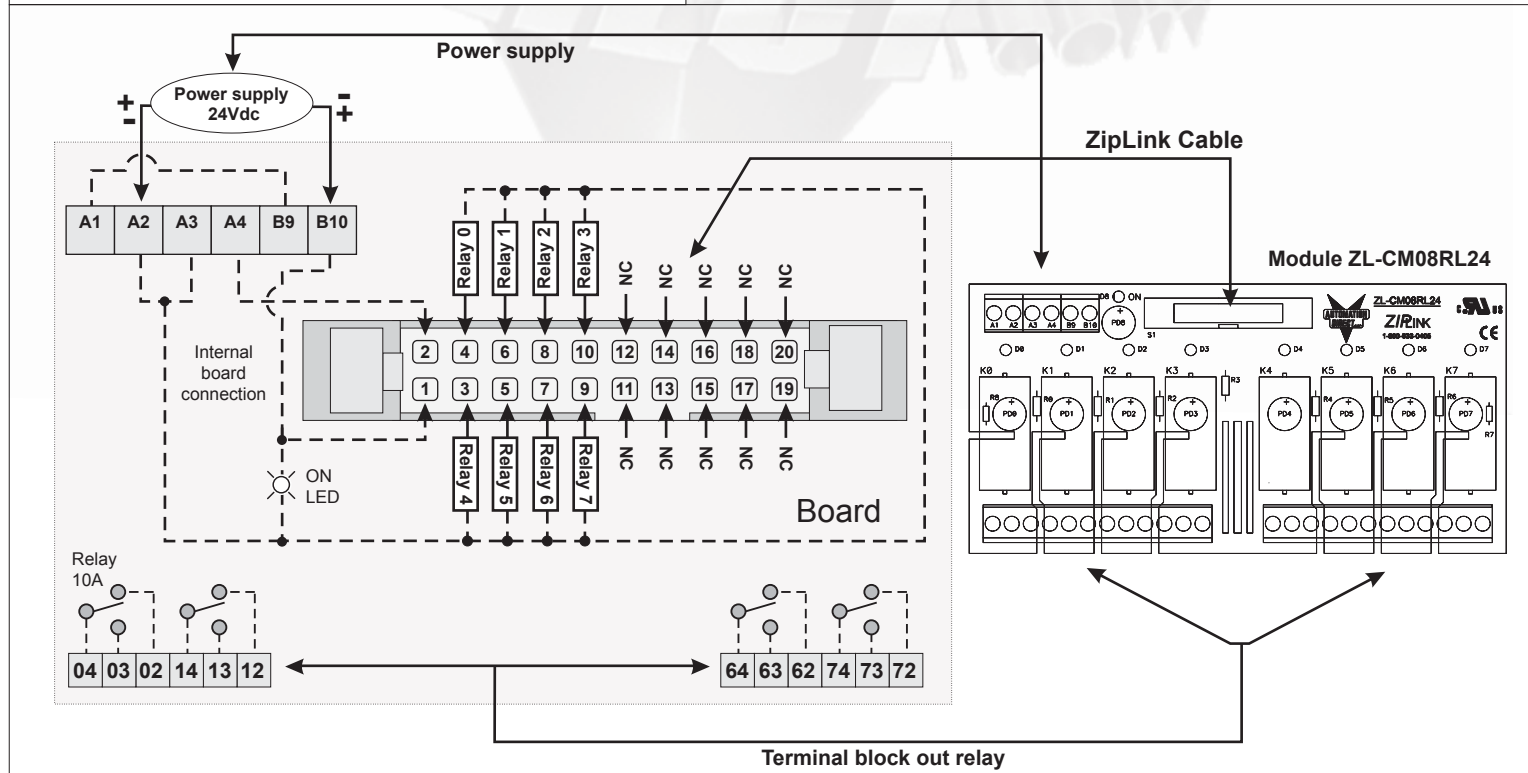
To download fullsize color .pdf Ziplink Wiring Diagrams go to www.Automationdirect.com website

ZIP LINK™
Automationdirect.com
800-633-0405

Wiring Diagram: Power Supply and Cable ZL-CM08RL120



Wiring Diagram: Power Supply and Cable ZL-CM08RL24

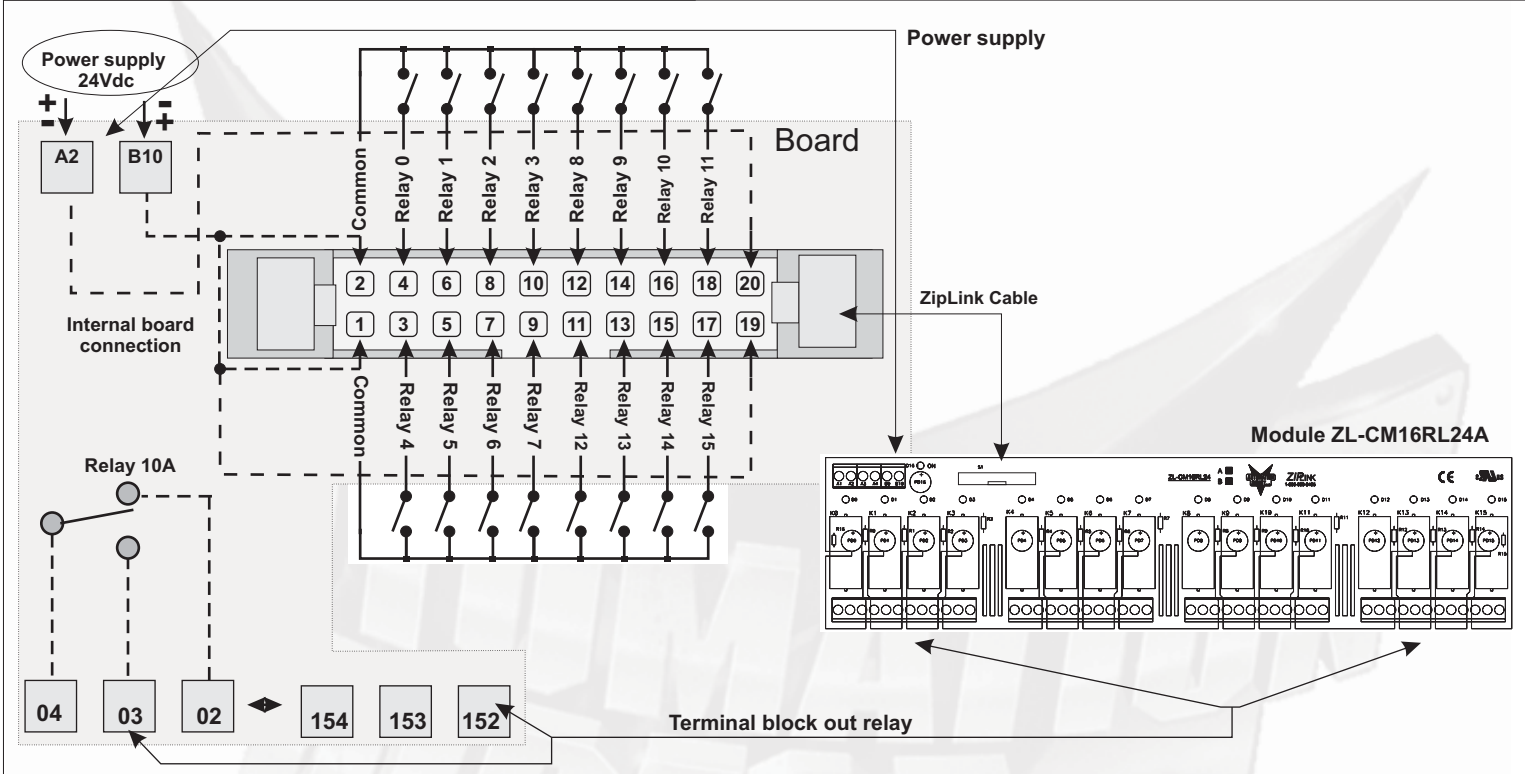




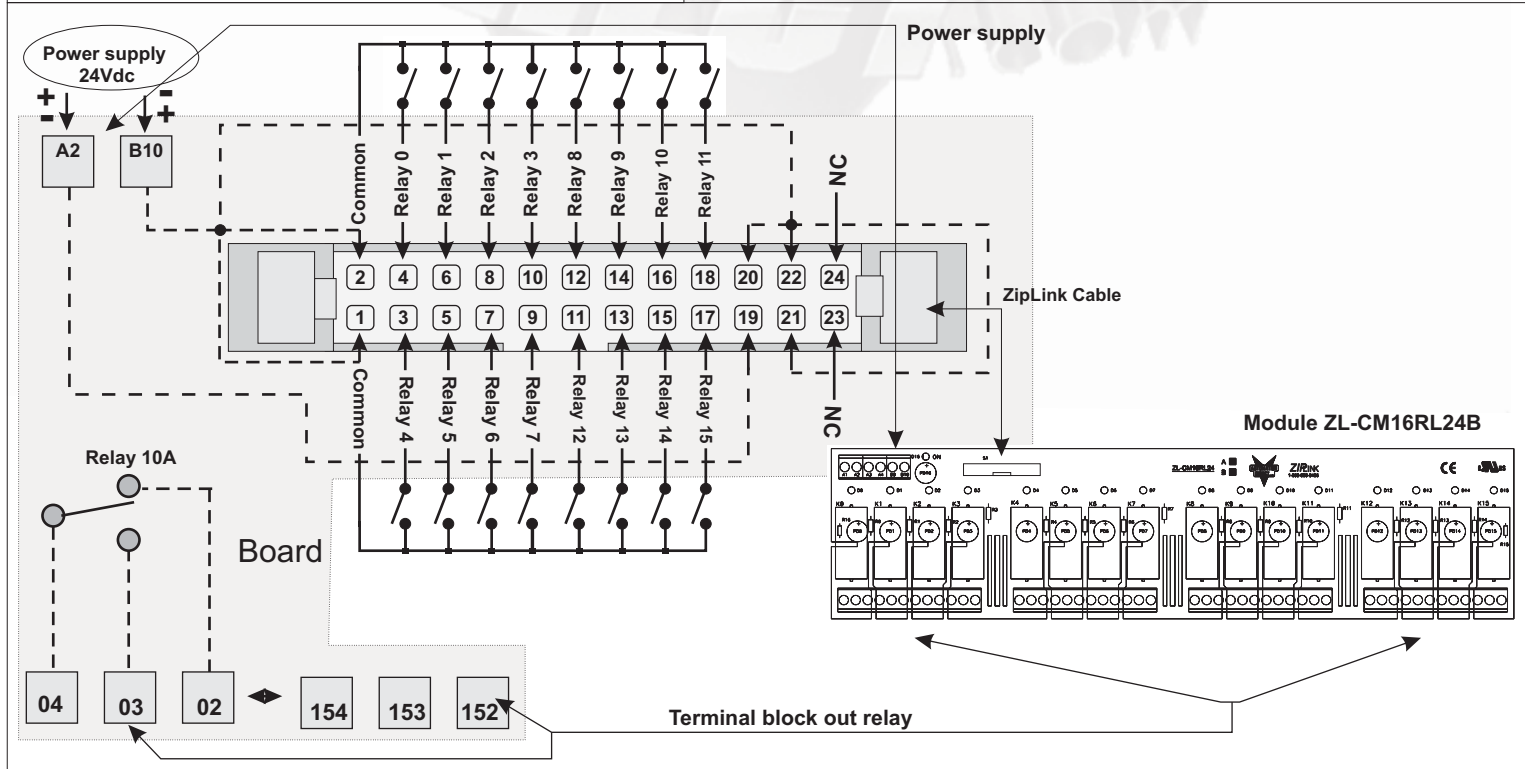
To download fullsize color .pdf Ziplink Wiring Diagrams go to www.Automationdirect.com website

ZIP LINKTM
Automationdirect.com
800-633-0405

Wiring Diagram: Power Supply and Cable ZL-CM16RL24A



Wiring Diagram: Power Supply and Cable ZL-CM16RL24B

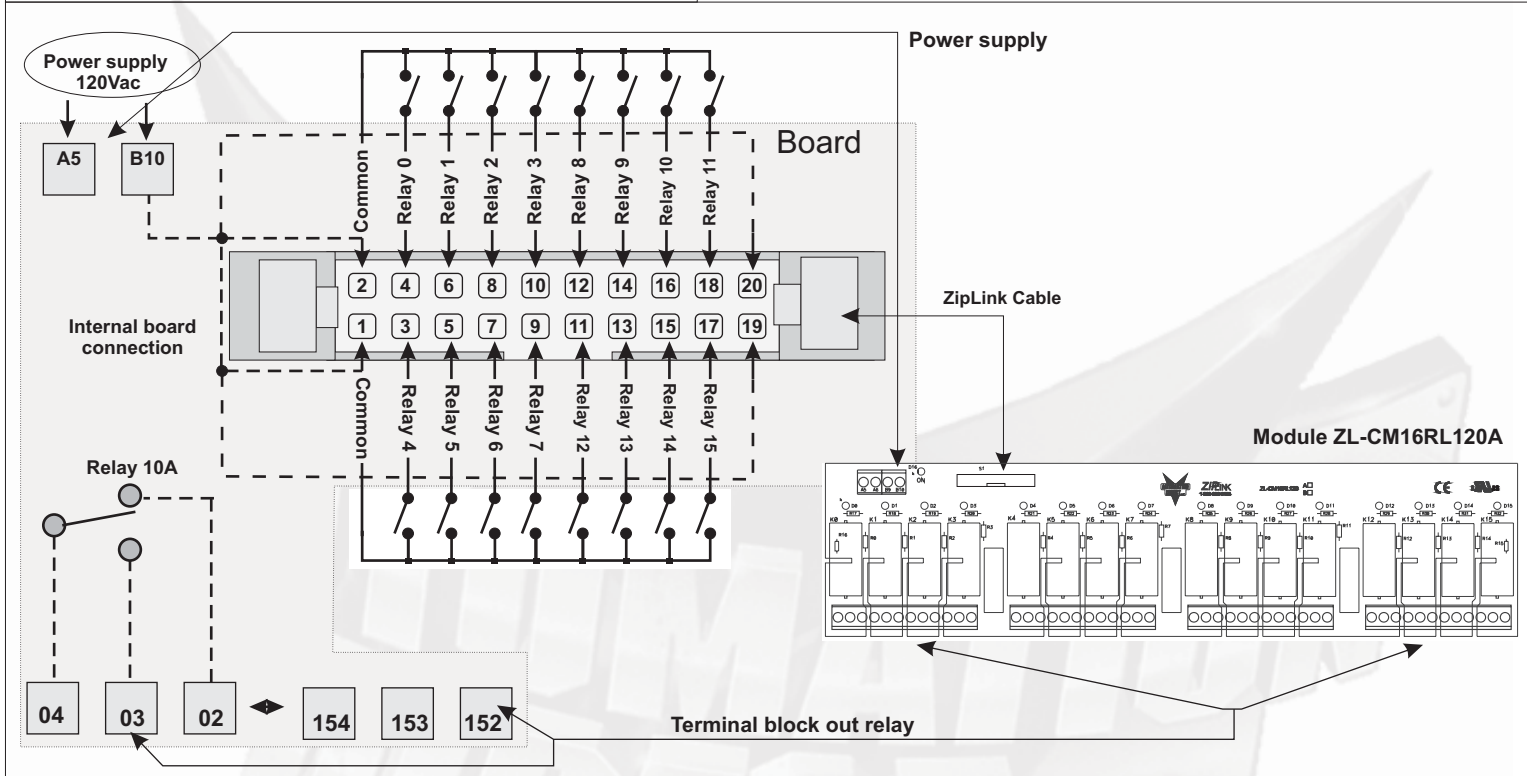




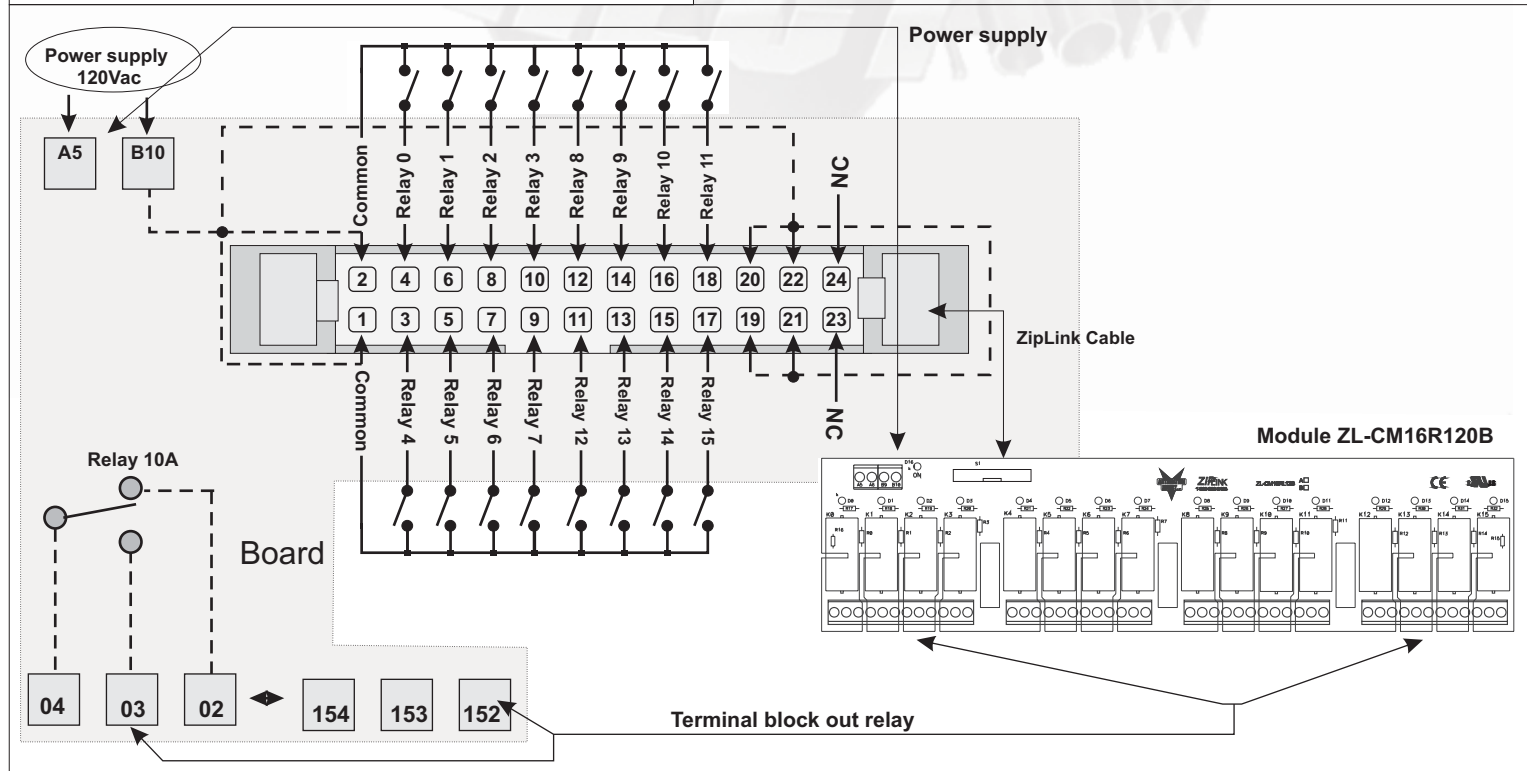
To download fullsize color .pdf Ziplink Wiring Diagrams go to www.Automationdirect.com website

ZIPLINK™
Automationdirect.com
800-633-0405

Wiring Diagram: Power Supply and Cable ZL-CM16RL120A



Wiring Diagram: Power Supply and Cable ZL-CM16RL120B

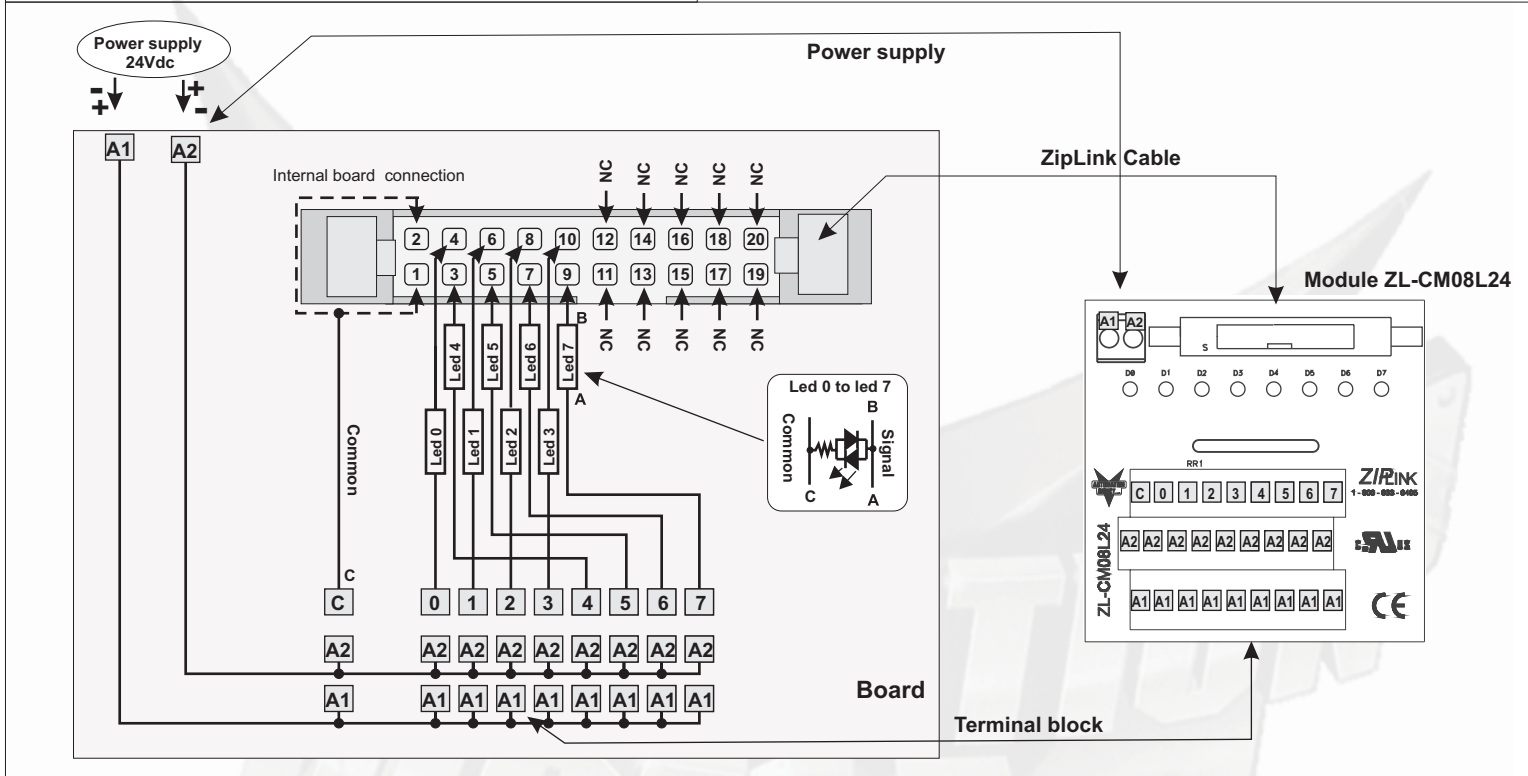




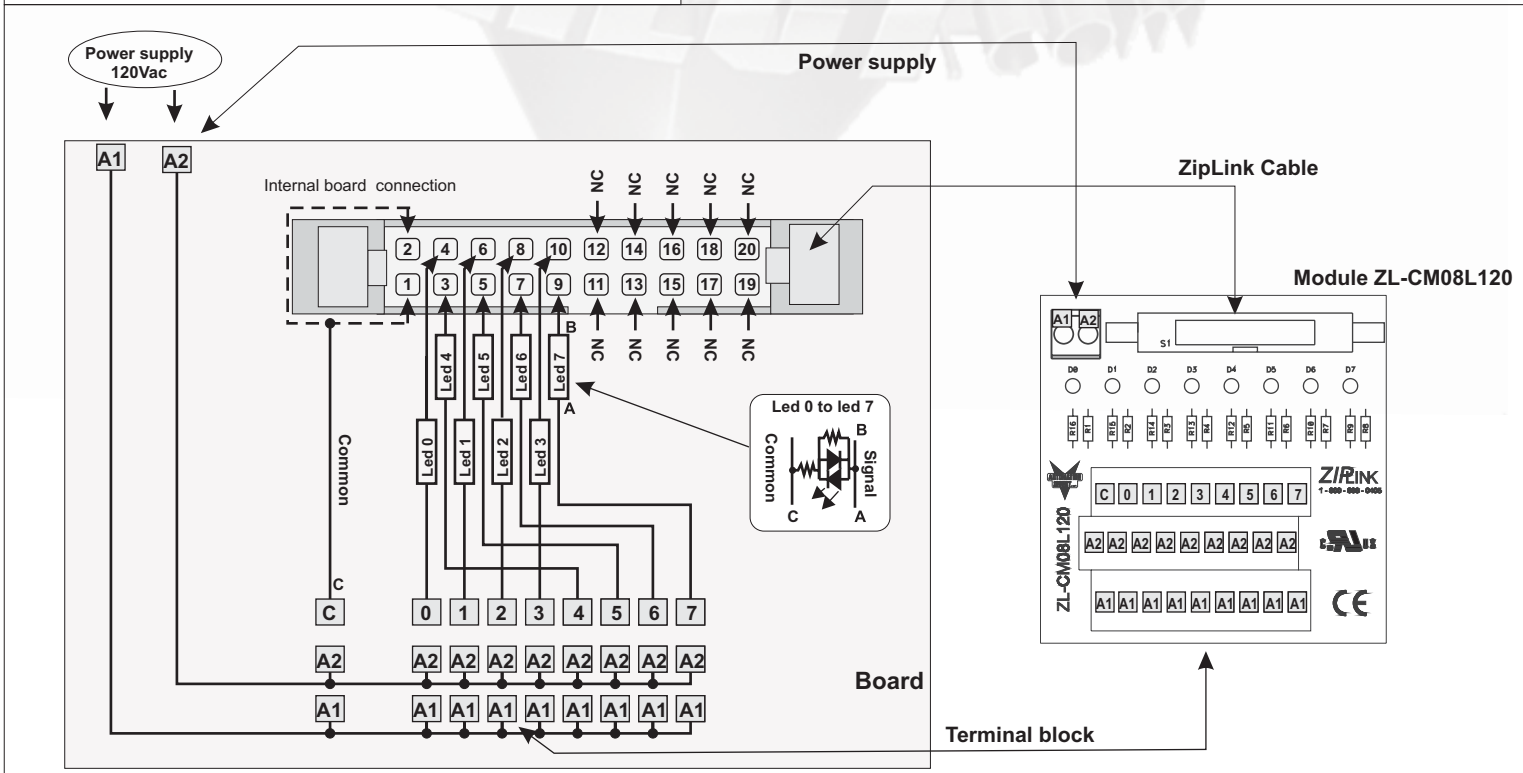
To download fullsize color .pdf Ziplink Wiring Diagrams go to www.Automationdirect.com website

ZIP LINK™
Automationdirect.com
800-633-0405

Wiring Diagram: Power Supply and Cable ZL-CM08L24



Wiring Diagram: Power Supply and Cable ZL-CM08L120

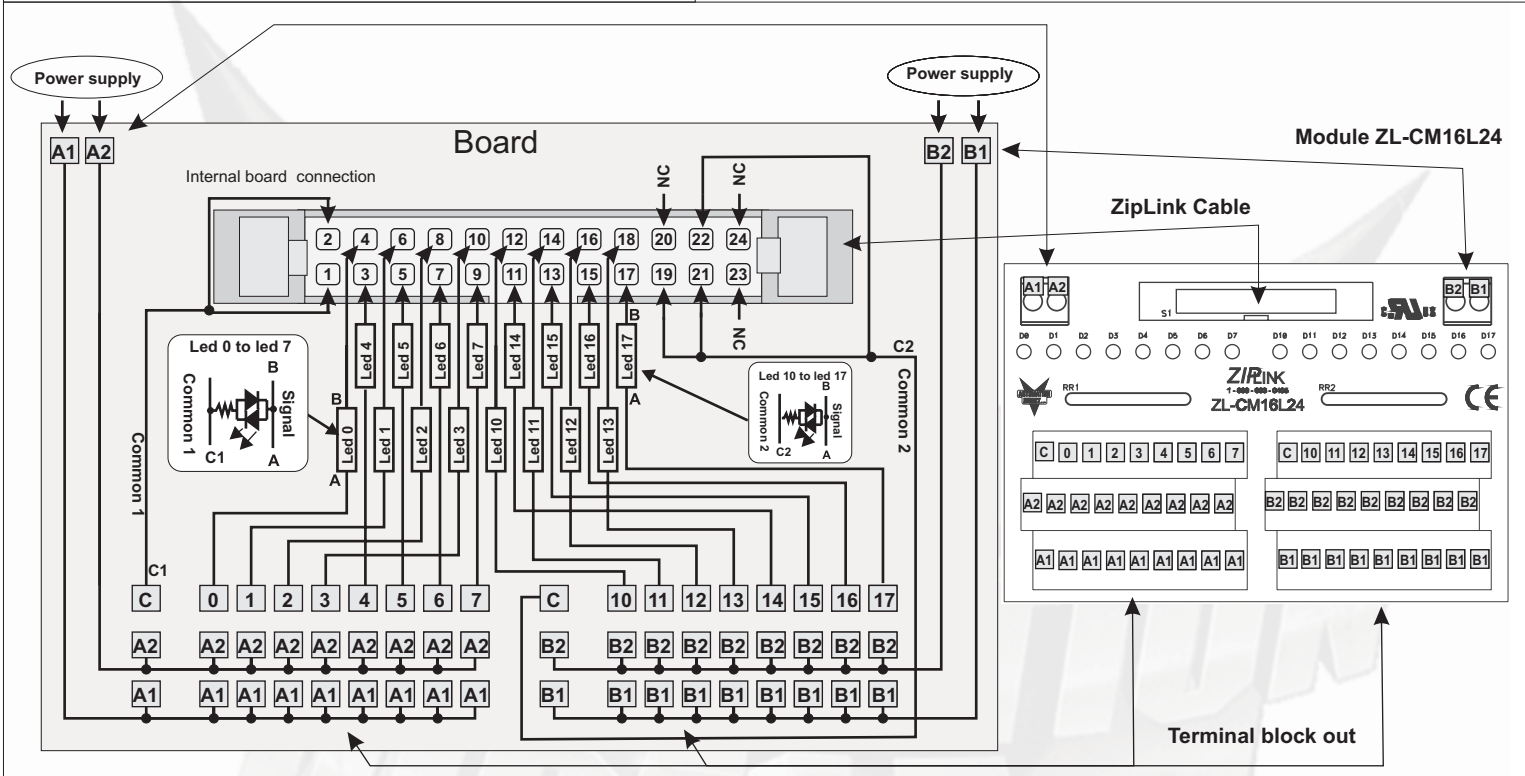




To download fullsize color .pdf Ziplink Wiring Diagrams go to www.Automationdirect.com website

ZIPLINK™
Automationdirect.com
800-633-0405

Wiring Diagram: Power Supply and Cable ZL-CM16L24



Wiring Diagram: Power Supply and Cable ZL-CM16L120

