

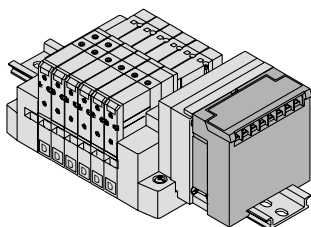
Integrated Type/For Output

Series *EX120/121/122*

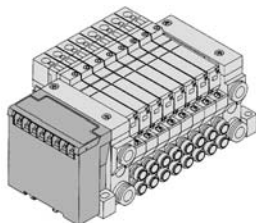
- ★ Small unit compatible with maximum 16 outputs
- ★ Compatible with a variety of communication networks

Series *EX120*

SV1000/2000/3000/4000

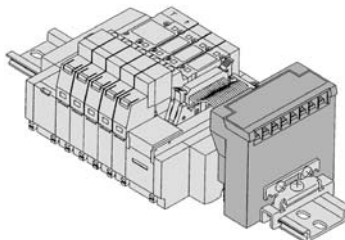


VQ1000/2000



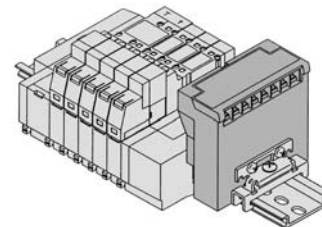
Series *EX121*

SY3000/5000



Series *EX122*

SY3000/5000



How to Order SI Unit

EX12 0 - S DN1

Valve interface

0	Plug-in
1	Flat ribbon cable DIN rail mounting
2	Plug-in DIN rail mounting

Dustproof

Nil	Non-dustproof
-XP	Dustproof

Note) XP is not available for DN1 and DN1-X26.

Communication protocol

DN1	DeviceNet ^{Note 1)}
DN1-X26	DeviceNet ^{Note 1)}
MJ1	CC-Link
CS1	OMRON Corp.: CompoBus/S (16 outputs)
CS2	OMRON Corp.: CompoBus/S (8 outputs)
SL1	SUNX Corp.: S-LINK (16 outputs)
SL2	SUNX Corp.: S-LINK (8 outputs)
UW1	NKE Corp.: Uni-wire System
UH1	NKE Corp.: Uni-wire H System

Note 1) DN1's occupied points are 16 inputs and 16 outputs, while DN1-X26 has 0 inputs and 16 outputs.

Note 2) Please consult SMC for networks other than those mentioned above.

SI Unit Specifications

Model			EX12□-SDN1	EX12□-SDN1-X26 ^{Note 4)}	EX12□-SMJ1	EX12□-SCS1 EX12□-SCS2	EX12□-SSL1 EX12□-SSL2	EX12□-SUW1	EX12□-SUH1	
Communication specification	Applicable system	Protocol	DeviceNet		CC-Link	OMRON Corp.: CompoBus/S	SUNX Corp.: S-Link	NKE Corp.: Uni-wire System	NKE Corp.: Uni-wire H System	
		Version ^{Note 1)}	Release 2.0		Ver. 1.10	—	—	—	—	
	Communication speed	125 k/250 k/500 kbps		156 k/625 kbps 2.5 M/5 M/10 Mbps	750 kbps	28.5 kbps	28.5 kbps	29.4 kbps		
	Specified file ^{Note 2)}	EDS file		—						
	Occupied area (Number of inputs/outputs)	16/16	0/16	32/32 (1 station, remote I/O stations)	SCS1: 0/16 SCS2: 0/8	SSL1: 0/16 SSL2: 0/8	0/16	0/16		
	Terminal resistor	Not applicable								
Power supply	For unit	11 to 25 VDC		15 to 30 VDC	14 to 26.4 VDC	24 VDC+10%/−5% (Common power supply)	24 VDC±10% (Common power supply)			
	For valve	24 VDC+10%/−5%								
Internal current consumption (Unit)			100 mA or less							
Output specification	Output type	NPN output (+COM.)								
	Number of outputs	16 points			SCS1/SSL1: 16 points SCS2/SSL2: 8 points			16 points		
	Connection load	SMC: Solenoid valve with light/surge voltage suppressor (24 VDC, 2.1 W or less)								
	Output when communication error occurs	Clear	Hold/Clear (Switch setting)	Clear	Hold/Clear (Switch setting)			Clear		
Environmental resistance	Enclosure	IP20								
	Operating temperature range	0 to +55°C (Valve 8 points ON) 0 to +50°C (Valve 16 points ON)								
	Operating humidity range	35 to 85%RH (With no condensation)								
	Withstand voltage	1500 VAC for 1 min. between external terminals and case								
	Insulation resistance	2 MΩ or more (500 VDC) between external terminals and case								
	Vibration resistance	10 to 55 Hz with a 0.5 mm amplitude in each X, Y, Z direction for 2 hrs (De-energized)								
	Impact resistance	98 m/s ² , in each X, Y, Z direction, 3 times (De-energized)								
Standard	CE marking					—				
Accessory	Communication connector 1 pc., Power connector 1 pc.			—						

Note 1) Please note that the version is subject to change.

Note 2) Each file can be downloaded from SMC's website (<http://www.smcworld.com/>).

Note 3) For detailed specifications other than the above, refer to the separate technical operation manual that can be downloaded from SMC's website (<http://www.smcworld.com/>).

Note 4) Since this is a special product, a manifold part number is not specified. Please consult SMC for the manifold integrated type.

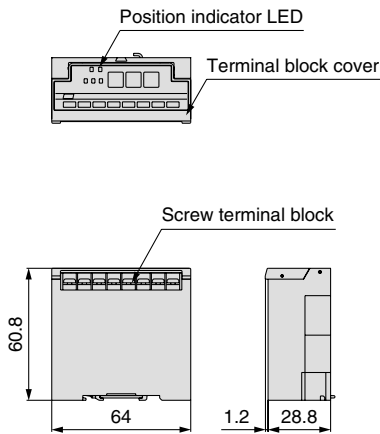
EX

Series EX120/121/122

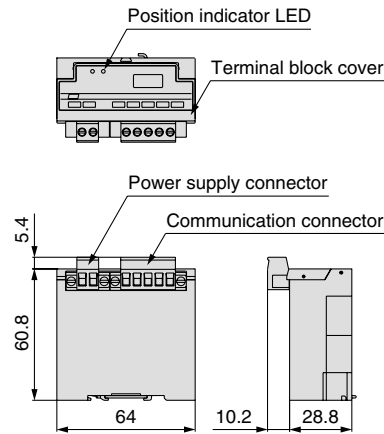
SI Unit Dimensions / Parts Description

EX120

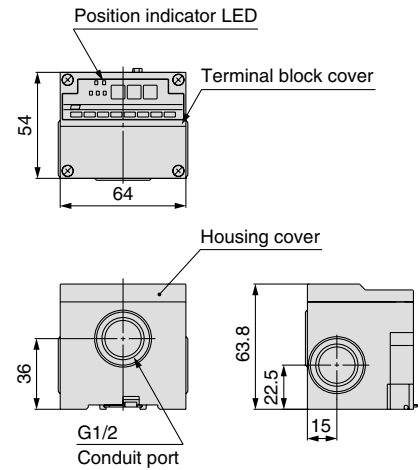
EX120-SMJ1, SCS□, SSL□, SUW1, SUH1



EX120-SDN1(-X26)

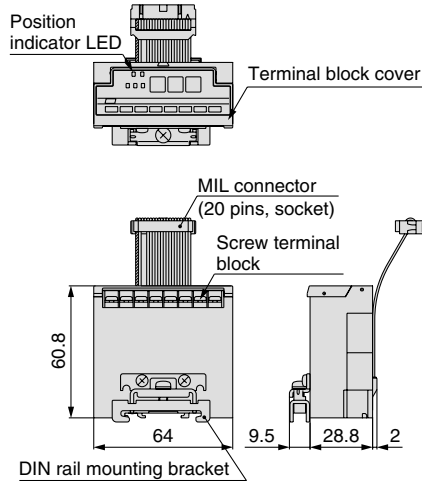


EX120-S□□□-XP

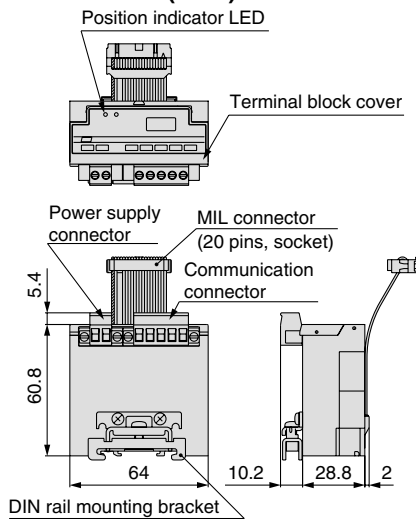


EX121

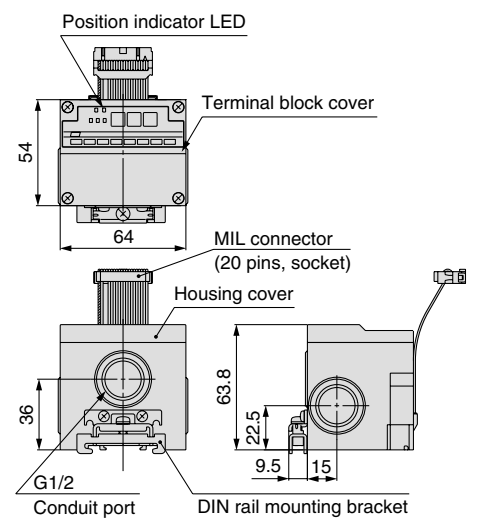
EX121-SMJ1, SCS□, SSL□, SUW1, SUH1



EX121-SDN1(-X26)

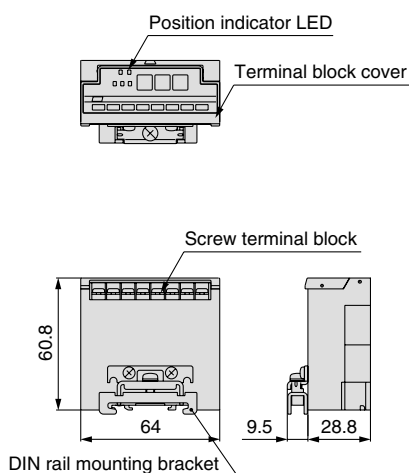


EX121-S□□□-XP

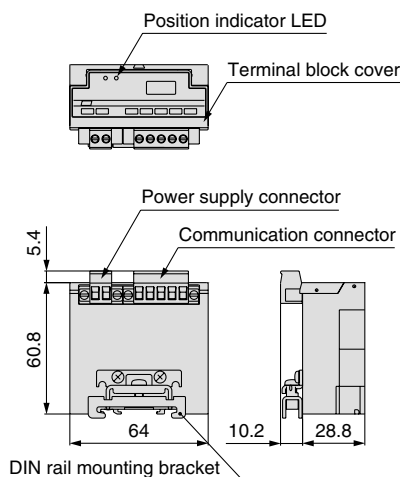


EX122

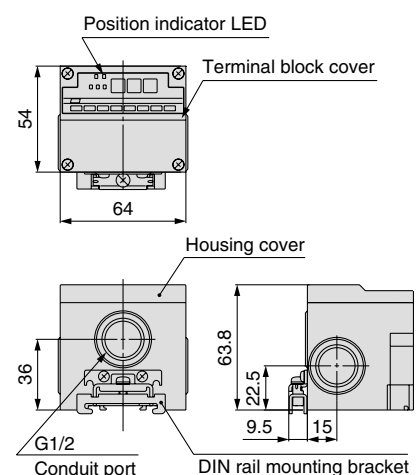
EX122-SMJ1, SCS□, SSL□, SUW1, SUH1



EX122-SDN1(-X26)



EX122-S□□□-XP



Integrated Type/For Output

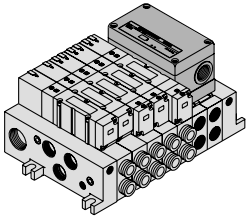
Series EX123/124/126

★ Enclosure IP65 (EX123, EX124), IP67 (EX126)

★ Maximum 16 outputs

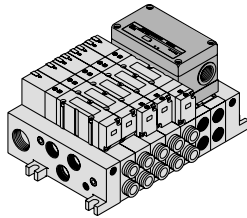
Series EX123

VQ2000/4000/5000



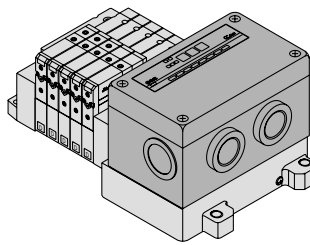
Series EX124

VQ2000/4000/5000

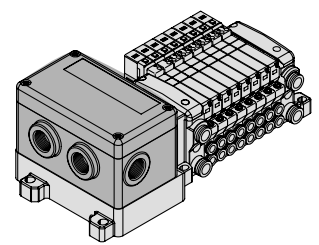


Series EX126

SV1000/2000/3000



VQC1000/2000/4000



How to Order SI Unit

EX123 U-S SL1

Unit specifications

3	Common power supply of unit and valve Enclosure IP65 Compatible with VQ valves
----------	--

Mounting specifications

U	Mount a unit to the U side of the manifold
D	Mount a unit to the D side of the manifold

Communication protocol

SL1	SUNX Corp.: S-LINK (16 outputs)
SL2	SUNX Corp.: S-LINK (8 outputs)
UW1	NKE Corp.: Uni-wire System
UH1	NKE Corp.: Uni-wire H System

EX

EX124 U-S DN1

Unit specifications

4	Separate power supply of unit and valve Enclosure IP65 Compatible with VQ valves
----------	--

Mounting specifications

U	Mount a unit to the U side of the manifold
D	Mount a unit to the D side of the manifold

Communication protocol

DN1	DeviceNet <small>Note)</small>
DN1-X26	DeviceNet <small>Note)</small>
MJ1	CC-Link
CS1	OMRON Corp.: CompoBus/S (16 outputs)
CS2	OMRON Corp.: CompoBus/S (8 outputs)

Note) DN1's occupied points are 16 inputs and 16 outputs, while DN1-X26 has 0 inputs and 16 outputs.

EX126 D-S MJ1

Unit specifications

6	Separate power supply of unit and valve Enclosure IP67 Compatible with SV/VQC valves
----------	--

Mounting specifications

D	Mount a unit to the D side of the manifold
----------	--

Communication protocol

MJ1	CC-Link
------------	---------

Series EX123/124/126

How to Order Option

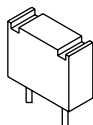
Fuse for replacement

A fuse for replacement used for EX126D-SMJ1.

EX9-FU20

Applicable model	EX126D-SMJ1
Rated current	2.0 A

Fuse



Dripproof plug assembly

Use for the unused conduit port (G1/2).

AXT100-B04A

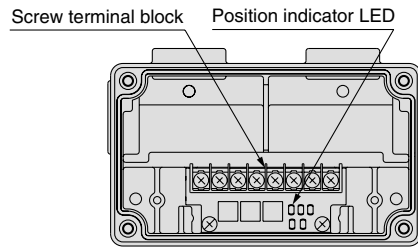
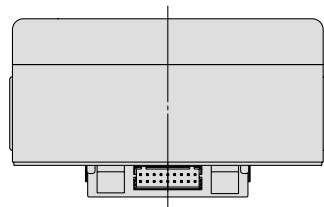
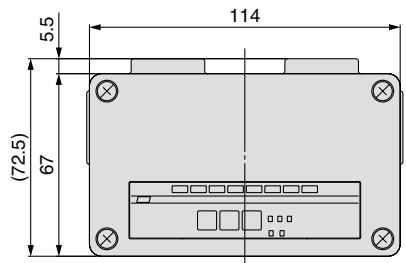
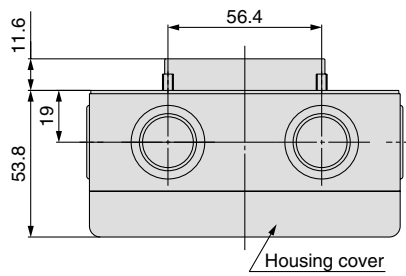
SI Unit Specifications

The electrical specification is the same for EX12□. Refer to page 1651.

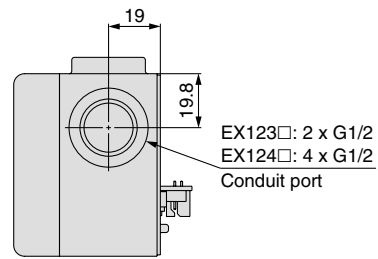
4 unit mounting screws (M4 x 10) are included when shipped.

SI Unit Dimensions/Parts Description

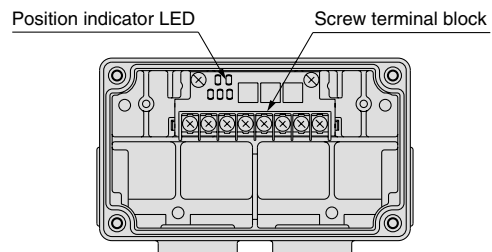
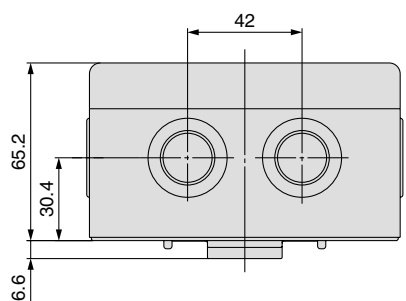
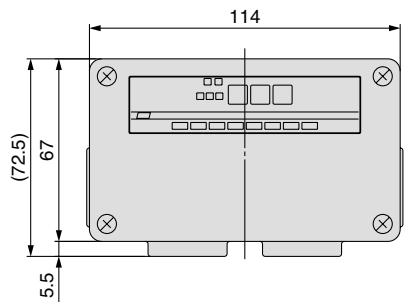
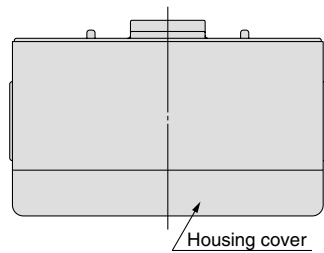
EX123□-S□□□, EX124□-S□□□



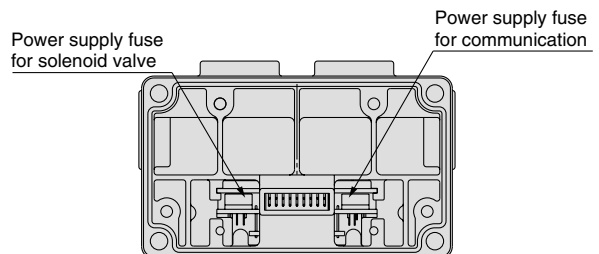
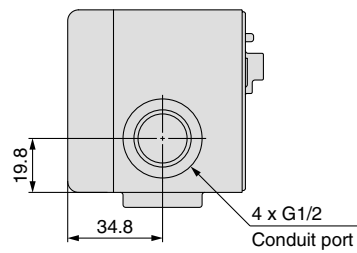
Housing cover diagram



EX126D-SMJ1



Housing cover diagram



Housing bottom diagram

EX