

DL06 I/O Specifications

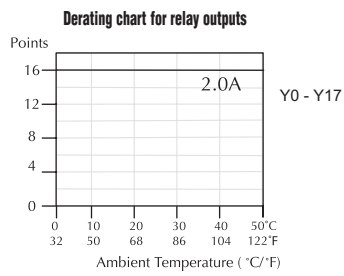
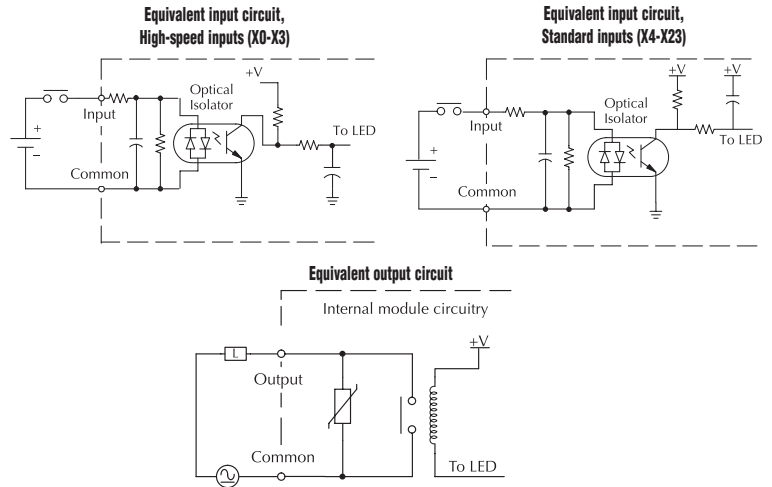
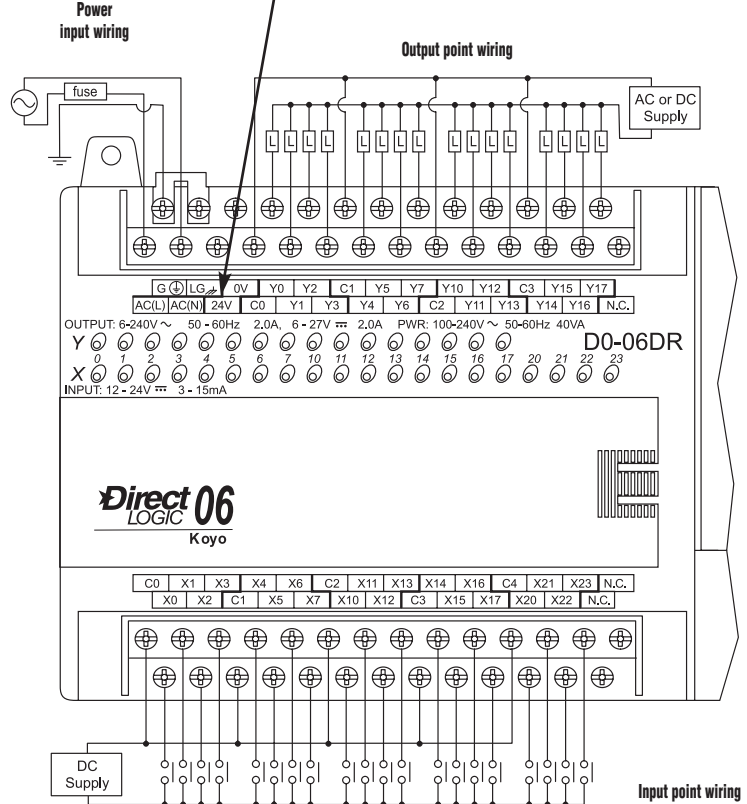
D0-06DR



Wiring diagram and specifications

D0-06DR Specifications			
AC Power Supply Specifications	Voltage Range	100-240VAC (40VA)	
	Number of Input Pts.	20 (sink/source)	
	Number of Commons	5 (isolated)	
	Input Voltage Range	12-24VDC	
	Input Impedance	(X0-X3) 1.8K @ 12-24VDC (X4-X23) 2.8K @ 12-24VDC	
	On Current/Voltage Level	>5mA/10VDC	
	OFF Current/Voltage Level	<0.5mA/<2VDC	
	Response Time	X0-X3 X4-X23	
	OFF to ON Response	<100µs <8ms	
	ON to OFF Response	<100µs <8ms	
DC Input Specifications	Fuses	None	
	Number of Output Points	16	
	Number of Commons	4 (isolated)	
	Output Voltage Range	6-240VAC, 47-63Hz 6-27VDC	
	Maximum Voltage	264VAC, 30VDC	
	Maximum Current	2A/point 6A/common	
	Maximum Leakage Current	0.1mA @ 246VAC	
	Smallest Recommended Load	5mA @ 5VDC	
	OFF to ON Response	<15ms	
	ON to OFF Response	<10ms	
	Status Indicators	Logic side	
	Fuses	None (external recommended)	
	Relay Output Specifications	Number of Input Pts.	20 (sink/source)
		Number of Commons	5 (isolated)
		Input Voltage Range	12-24VDC
Input Impedance		(X0-X3) 1.8K @ 12-24VDC (X4-X23) 2.8K @ 12-24VDC	
On Current/Voltage Level		>5mA/10VDC	
OFF Current/Voltage Level		<0.5mA/<2VDC	
Response Time		X0-X3 X4-X23	
OFF to ON Response		<100µs <8ms	
ON to OFF Response		<100µs <8ms	
Fuses		None	

Note: Refer to page 2-29, Power Budgeting, for Auxiliary 24VDC current available.



Typical Relay Life (Operations) at Room Temperature		
Voltage and Type of Load	Load Current	
	At 1A	At 2A
24 VDC Resistive	500K	250K
24 VDC Inductive	100K	50K
110 VAC Resistive	500K	250K
110 VAC Inductive	200K	100K
220 VAC Resistive	350K	200K
220 VAC Inductive	100K	50K