

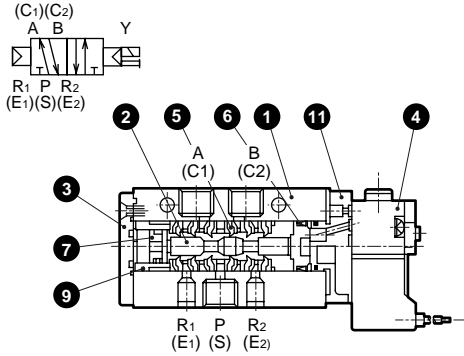
4F0/4F1 Series

Discrete valve: Body porting

Internal structure and parts list

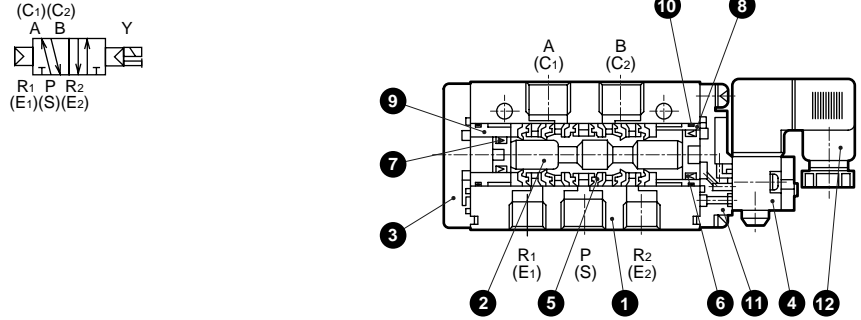
A4F010

- 2-position single



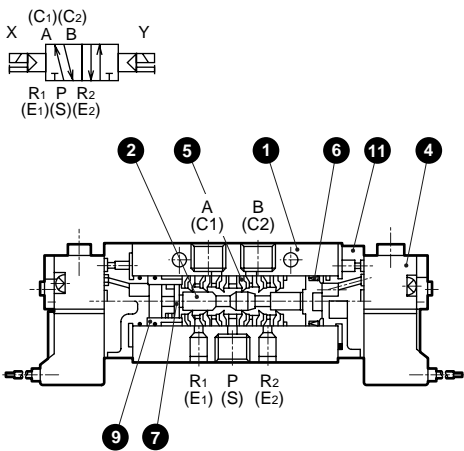
4F110

- 2-position single



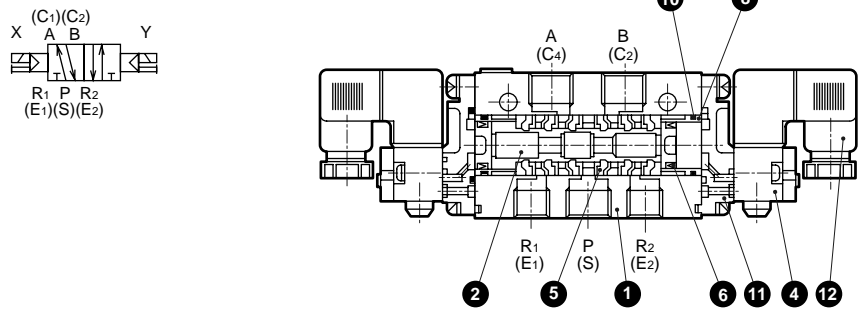
4F020

- 2-position double



4F120

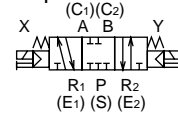
- 2-position double



4F130

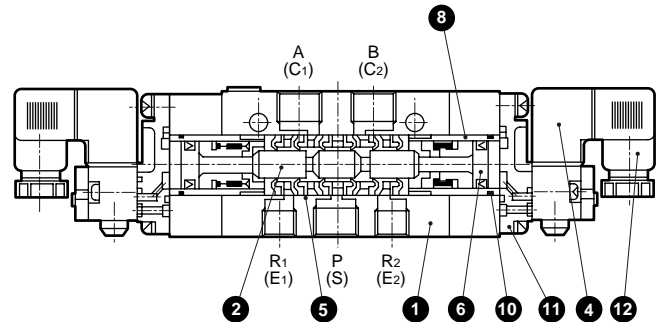
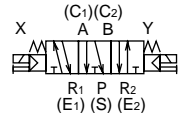
- 3-position

All ports closed



4F140

A/B/R connection



Main parts list

No.	Parts name	Material	No./parts name	
			Model No.	Repair kits
1	Body	Aluminum alloy die-casting	A4F010	A4F010-K
2	Valving element (spool)	Aluminum	4F020	4F020-K
3	Cap	Aluminum alloy die-casting	4F110	4F110-K
4	Coil assembly (solenoid valve)	-	4F120	4F120-K
5	Seal assembly	-	4F130	4F130-K
6	Piston (A) assembly	-	4F140	-
7	Piston (B) assembly	-	-	-
8	Cylinder A	Aluminum	-	-
9	Cylinder B	Aluminum	-	-
10	O ring	Nitrile rubber	-	-
11	Pilot valve body	Aluminum alloy die-casting	-	-
12	Small terminal box	-	-	-

Repair parts list

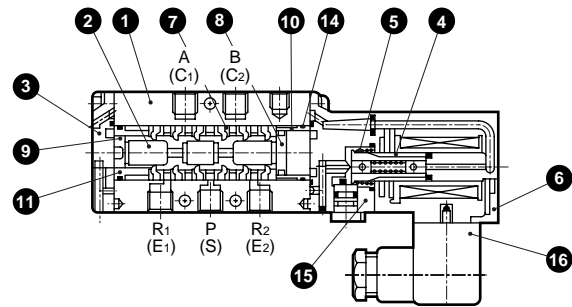
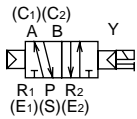
No.	Parts name	No./parts name	
		Model No.	Repair kits
5	Seal assembly	4F9-126	4F9-126-K
6	Piston (A) assembly	4F9-124	4F9-124-K
7	Piston (B) assembly	4F9-111	4F9-111-K
4	Coil assembly •	4F9-112	4F9-112-K

• For consumable parts, kit is available. Please replace a whole kit but not a part. (The kit includes packing seal assembly, piston assembly (A) and (B) but not any coil assembly.)

Internal structure and parts list

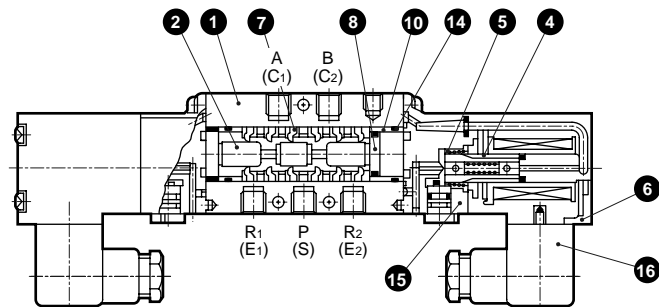
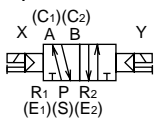
4F210/4F310

- 2-position single



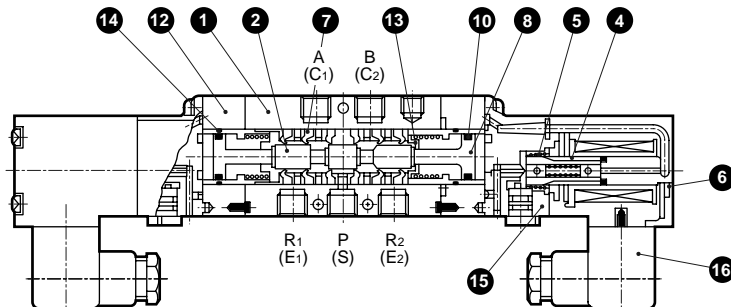
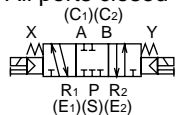
4F220/4F320

- 2-position double

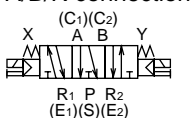


4F230/4F330

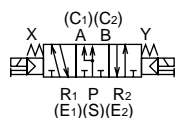
- 3-position
- All ports closed



4F240/4F340



4F250/4F350



Main parts list

Repair parts list

No.	Parts name	Material	No./parts name		7	8	9	6
			Model No.	Repair kits				
1	Body	Aluminum alloy die-casting	4F210	4F210-K	4F9-105	4F9-101	4F9-102	4F2*0-
2	Valving element (spool)	Aluminum	4F220	4F220-K			-	-
3	Cap	Aluminum alloy die-casting	4F230	4F230-K	4F9-106	4F9-113	-	Coil-Voltage
4	Plunger	-	4F240	-			-	-
5	Plunger spring	-	4F310	4F310-K	4F9-104	4F9-104	4F9-103	4F3*0-
6	Coil assembly	-	4F320	4F320-K			-	-
7	Seal assembly	-	4F330	4F330-K	4F9-114	4F9-114	-	Coil-Voltage
8	Piston (A) assembly	-	4F340	-			-	-
9	Piston (B) assembly	-	4F350	-	-	-	-	-
10	Cylinder A	Aluminum						
11	Cylinder B	Aluminum						
12	Body block	Aluminum alloy die-casting						
13	Spring retainer	Stainless steel						
14	O ring	Nitrile rubber						
15	Pilot valve body	Aluminum alloy die-casting						
16	DIN terminal box	-						

- For consumable parts, kit is available. Please replace a whole kit but not a part. (The kit includes packing seal assembly, piston assembly (A) and (B) but not any coil assembly.)
- Plunger assembly is attached to coil assembly.

4SA/B0
4SA/B1
4GA/B
MN4GA/B
4GA/B (master)
MN3S0/
MN4S0
4TB
4L2-4/
LMF0
4KA/B
4F
PV5/
CMF
3MA/B0
3PA/B
P/M/B
NP/NAP/
NVP
4F**0E
HMV/
HSV
Uniwire
system

SKH
PCD/
FS/FD
Discrete
5 port pilot operated valve