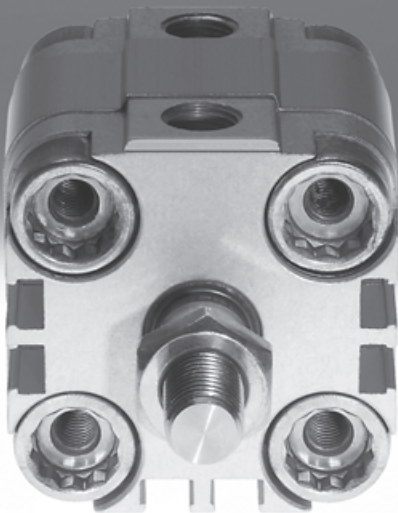





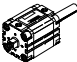



Compact cylinders ADVU/AEVU



Compact cylinders ADVU

Product range overview

FESTO

Function	Version	Type	Piston Ø	Stroke	Position sensing	
			[mm]	[mm]		
Double-acting	Basic version					
		ADVU Piston rod at one end	12, 16	5, 10, 15, 20, 25, 30, 40	1 ... 200	■
			20, 25	5, 10, 15, 20, 25, 30, 40, 50	1 ... 200	
			32, 40	5, 10, 15, 20, 25, 30, 40, 50, 60, 80	1 ... 300	
			50, 63	10, 15, 20, 25, 30, 40, 50, 60, 80	1 ... 300	
			80, 100, 125	10, 15, 20, 25, 30, 40, 50, 60, 80	1 ... 400	
		ADVU-...-S2 Through piston rod	12, 16, 20, 25	–	1 ... 200	■
			32, 40, 50, 63	–	1 ... 300	
			80, 100, 125	–	1 ... 400	
	Non-rotating with square piston rod					
		ADVULQ Piston rod at one end	12, 16	5, 10, 15, 20, 25, 30, 40	1 ... 200	■
			20, 25	5, 10, 15, 20, 25, 30, 40, 50	1 ... 200	
			32, 40	5, 10, 15, 20, 25, 30, 40, 50, 60, 80	1 ... 300	
			50, 63	10, 15, 20, 25, 30, 40, 50, 60, 80	1 ... 300	
			80, 100	10, 15, 20, 25, 30, 40, 50, 60, 80	1 ... 400	
		ADVULQ-...-S2 Through piston rod	12, 16, 20, 25	–	1 ... 200	■
			32, 40, 50, 63	–	1 ... 300	
			80, 100	–	1 ... 400	
	Non-rotating with yoke					
		ADVUL Piston rod at one end	12, 16	5, 10, 15, 20, 25, 30, 40	1 ... 200	■
			20, 25	5, 10, 15, 20, 25, 30, 40, 50	1 ... 200	
			32, 40	5, 10, 15, 20, 25, 30, 40, 50, 60, 80	1 ... 300	
			50, 63	10, 15, 20, 25, 30, 40, 50, 60, 80	1 ... 300	
			80, 100	10, 15, 20, 25, 30, 40, 50, 60, 80	1 ... 400	
		ADVUL-...-S2 Through piston rod	12, 16, 20, 25	–	1 ... 200	■
			32, 40, 50, 63	–	1 ... 300	
			80, 100	–	1 ... 400	
Reinforced piston rod						
	ADVU-...-S1 Piston rod at one end	25	–	1 ... 500	■	
		40, 63	–	1 ... 2000		
		100	–	1 ... 2000		

Compact cylinders ADVU


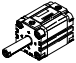


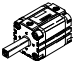
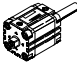
Product range overview

Type	Piston rod		S20 Hollow piston rod	S6 Heat resistant up to 120 °C	R3 Increased corrosion protection	→ Page/Internet
	with female thread	with male thread				
Basic version						
ADVU Piston rod at one end	■	■	-	■	■	11
ADVU-...-S2 Through piston rod	■	■	■ ∅ 12 ... 100	■ ∅ 12 ... 100	-	11
Non-rotating with square piston rod						
ADVULQ Piston rod at one end	■	■	-	■	-	22
ADVULQ-...-S2 Through piston rod	■	■	■ ∅ 16 ... 100	■	-	22
Non-rotating with yoke						
ADVUL Piston rod at one end	■	-	-	■	-	2
ADVUL-...-S2 Through piston rod	■	-	-	-	-	2
Reinforced piston rod						
ADVU-...-S1 Piston rod at one end	■	-	-	-	-	33

Compact cylinders AEVU

Product range overview



Function	Version	Type	Piston Ø	Stroke	Position sensing	
			[mm]	[mm]		
Single-acting	Basic version					
		AEVU Piston rod at one end, pushing	12	5, 10	1 ... 10	■
			16, 20, 25, 32, 40	5, 10, 15, 20, 25	1 ... 25	
			50, 63, 80, 100	10, 15, 20, 25	1 ... 25	
		AEVUZ Piston rod at one end, pulling	12	5, 10	1 ... 10	■
			16, 20, 25, 32, 40	5, 10, 15, 20, 25	1 ... 25	
			50, 63, 80, 100	10, 15, 20, 25	1 ... 25	
		AEVU-...-S2 Through piston rod, pushing	12	–	1 ... 10	■
			16, 20, 25, 32, 40, 50, 63, 80, 100	–	1 ... 25	
	Non-rotating with square piston rod					
		AEVULQ Piston rod at one end, pushing	16, 20, 25, 32, 40	5, 10, 15, 20, 25	1 ... 25	■
			50, 63, 80, 100	10, 15, 20, 25	1 ... 25	
	AEVULQZ Piston rod at one end, pulling	16, 20, 25, 32, 40	5, 10, 15, 20, 25	1 ... 25	■	
		50, 63, 80, 100	10, 15, 20, 25	1 ... 25		
	AEVULQ-...-S2 Through piston rod, pushing	16, 20, 25, 32, 40, 50, 63, 80, 100	–	1 ... 25	■	

Compact cylinders AEUU

Product range overview

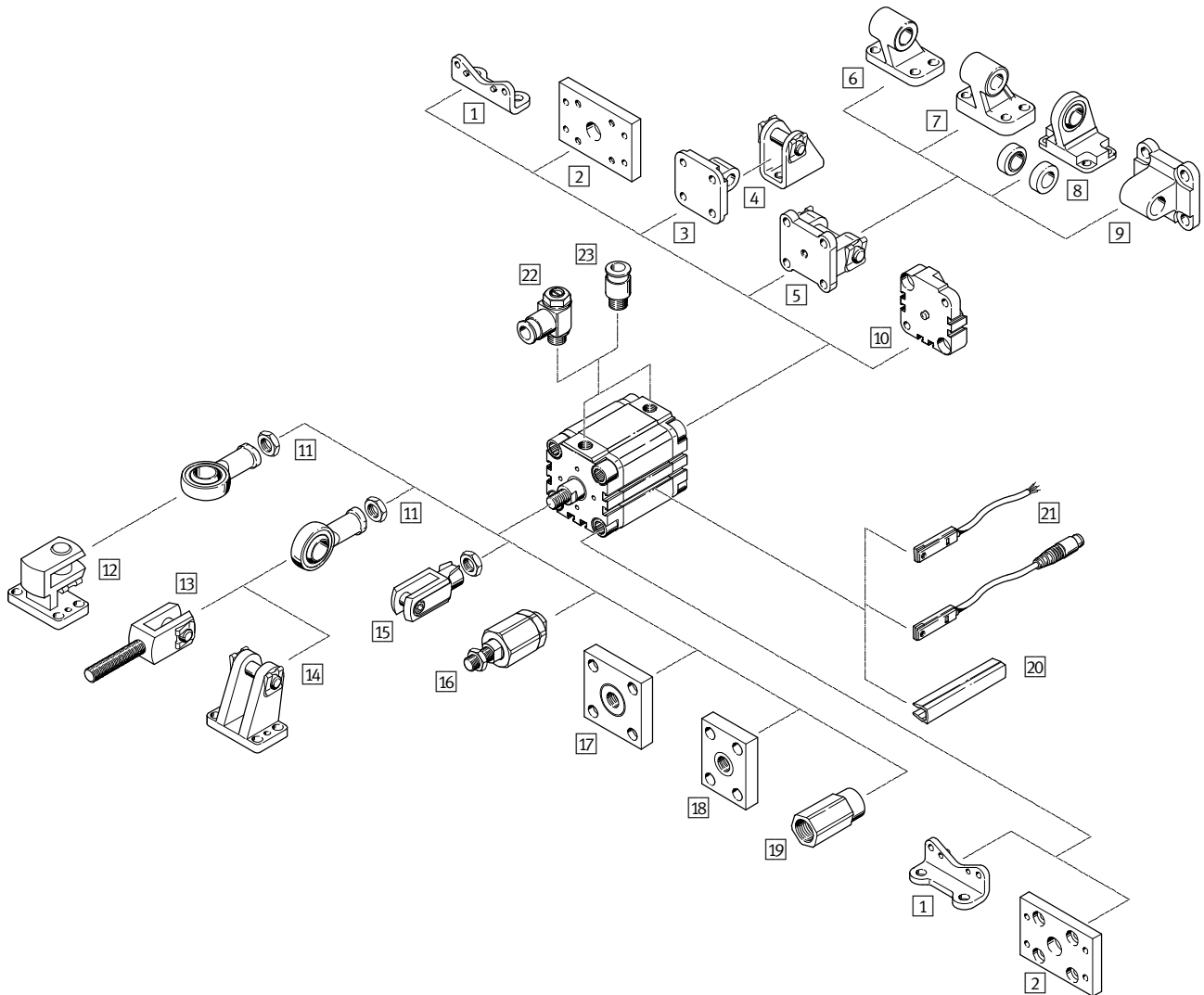
Type	Piston rod		S20 Hollow piston rod	S6 Heat resistant up to 120 °C	R3 Increased corrosion protection	→ Page/Internet
	with female thread	with male thread				
Basic version						
AEVU Piston rod at one end, pushing	■	■	-	■	-	36
AEVUZ Piston rod at one end, pulling	■	■	-	■	-	36
AEVU-...-S2 Through piston rod, pushing	■	■	■	■	-	36
Non-rotating with square piston rod						
AEVULQ Piston rod at one end, pushing	■	■	-	■	-	46
AEVULQZ Piston rod at one end, pulling	■	■	-	■	-	46
AEVULQ-...-S2 Through piston rod, pushing	■	■	■	■	-	46

Compact cylinders ADVU/AEVU

Peripherals overview



Piston \varnothing 12 ... 100 mm



Variants

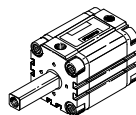
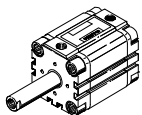
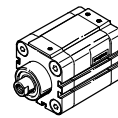
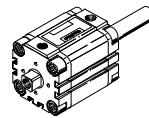
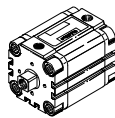
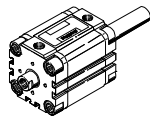
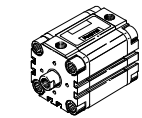
ADVU
AEVU(Z)

S2/S20

ADVULQ
AEVULQ(Z)

S2/S20

ADVU
S1



Compact cylinders ADVU/AEVU

Peripherals overview

FESTO

Mounting attachments and accessories							
	Description	ADVU AEVU(Z)		ADVULQ AEVULQ(Z)		ADVU	→ Page/Internet
			S2/S20		S2/S20	S1	
1	Foot mounting HUA/HUA-...-R3	■	■	■	■	■	55
2	Flange mounting FUA	■	■	■	■	■ ¹⁾	56
3	Swivel flange SUA/SUA-...-R3 for Ø 12 ... 25	■	-	■	-	■	57
4	Clevis foot LBN/CRLBN	■	-	■	-	■	62
5	Swivel flange SUA/SUA-...-R3 for Ø 32 ... 100	■	-	■	-	■	57
6	Clevis foot LN	■	-	■	-	■	62
7	Clevis foot LNG/CRLNG	■	-	■	-	■	62
8	Clevis foot LSN	■	-	■	-	■	62
9	Swivel flange SNCL	■	-	■	-	■	62
10	Adapter kit DPVU	■	-	■	-	■	61
11	Rod eye SGS/CRSGS	■	■	-	-	■	64
12	Clevis foot, lateral LQG	■	■	-	-	■	64
13	Rod clevis SGA	■	■	-	-	■	64
14	Clevis foot LBG/LBG-...-R3	■	■	-	-	■	62
15	Rod clevis SG/CRSG	■	■	■	■	■	64
16	Self-aligning rod coupler FK/CRFK	■	■	-	-	■	64
17	Coupling piece KSG	■	■	-	-	■	64
18	Coupling piece KSZ	-	-	■	■	-	64
19	Adapter AD	-	■ S20	-	■ S20	-	64
20	Slot cover ABP-5-S	■	■	■	■	■	66
21	Proximity sensor SME/SMT-8	■	■	■	■	■	66
22	One-way flow control valve GRLA/GRLZ	■	■	■	■	■	65
23	Push-in fitting QS	■	■	■	■	■	qs

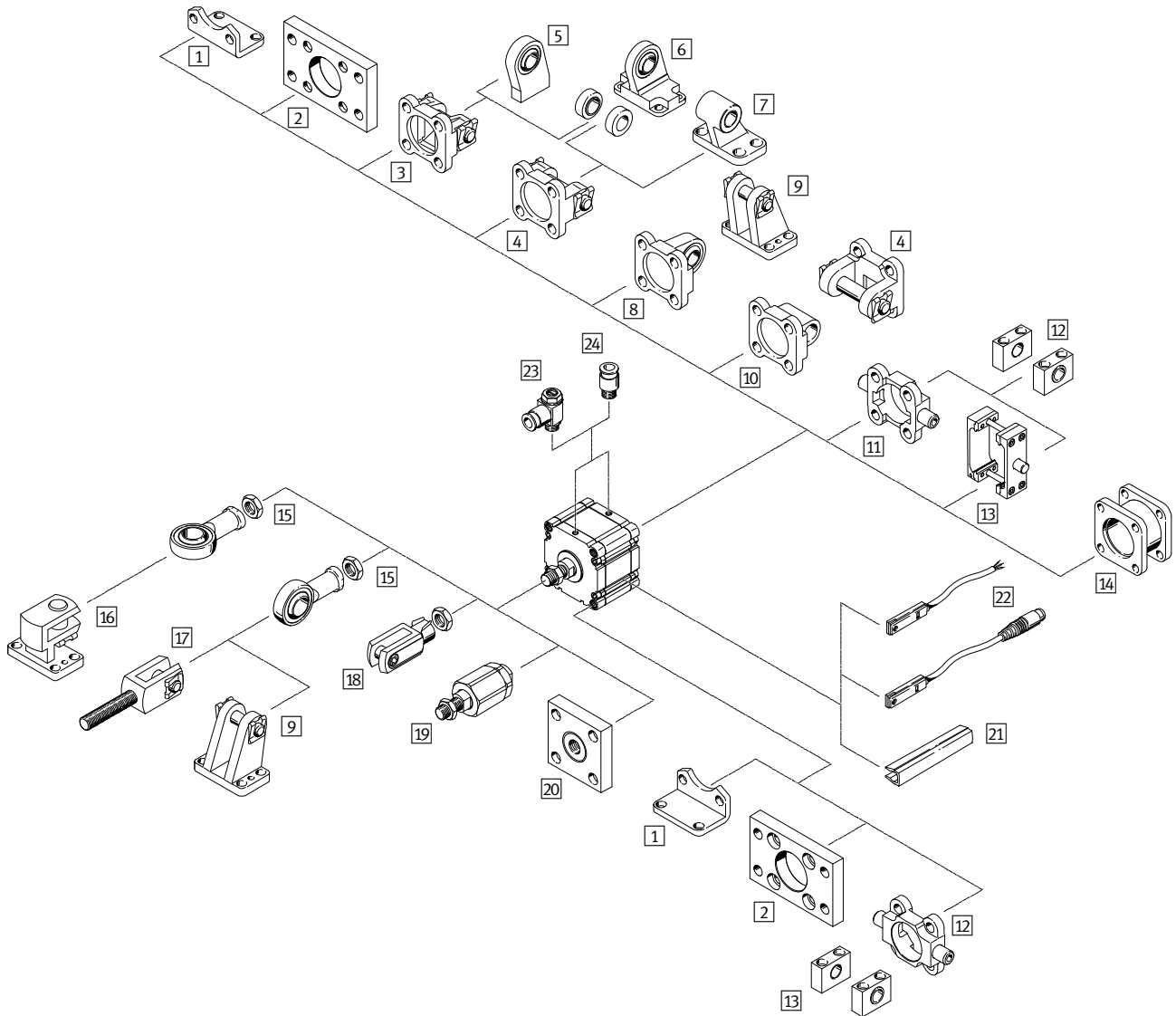
1) Only in combination with end cap

Compact cylinders ADVU/AEVU

Peripherals overview

FESTO

Piston \varnothing 125 mm



Compact cylinders ADVU/AEVU

Peripherals overview

FESTO

Mounting attachments and accessories					
	Description	ADVU		→ Page/Internet	
			S2		
1	Foot mounting HNC/CRHNC	For bearing and end cap	■	■	55
2	Flange mounting FNC	For bearing or end cap	■	■	56
3	Swivel flange SNC	For end cap	■	-	58
4	Swivel flange SNCB/SNCB-...-R3	For end cap	■	-	58
5	Clevis foot LSNSG	Weld-on, with spherical bearing	■	-	62
6	Clevis foot LSN	With spherical bearing	■	-	62
7	Clevis foot LN	-	■	-	62
8	Swivel flange SNCS/SNCS-...-R3	With spherical bearing for end cap	■	-	59
9	Clevis foot LBG/LBG-...-R3	-	■	■	62
10	Swivel flange SNCL	For end cap	■	-	59
11	Trunnion flange ZNCF	For bearing or end cap	■	■	60
12	Trunnion support LNZG/CRLNZG	-	■	■	62
13	Trunnion mounting kit DAMT	For mounting anywhere along the cylinder profile barrel	■	■	60
14	Adapter kit DPNC	For connecting two cylinders with identical piston \varnothing to form a multi-position cylinder	■	■	61
15	Rod eye SGS/CRSGS	With spherical bearing	■	■	64
16	Clevis foot, lateral LQG	-	■	■	64
17	Rod clevis SGA	With male thread	■	■	64
18	Rod clevis SG/CRSG	Permits a swivelling movement of the cylinder in one plane	■	■	64
19	Self-aligning rod coupler FK/CRFK	For compensating radial and angular deviations	■	■	64
20	Coupling piece KSG	For compensating radial deviations	■	■	64
21	Slot cover ABP-5-S	For protecting the sensor cable and keeping dirt out of the sensor slots	■	■	66
22	Proximity sensor SME/SMT-8	Can be integrated in the cylinder profile barrel	■	■	66
23	One-way flow control valve GRLA/GRLZ	For speed regulation	■	■	65
24	Push-in fitting QS	For connecting compressed air tubing with standard O.D.	■	■	qs

Compact cylinders ADVU/AEVU

Type code

ADVULQ – 50 – 80 – A – P – A – S6

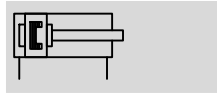
Type	
Double-acting	
ADVU	Basic version
ADVULQ	Square piston rod
Single-acting	
AEVU	Basic version
AEVUZ	Basic version, pulling
AEVULQ	Square piston rod
AEVULQZ	Square piston rod, pulling
Piston \varnothing [mm]	
Stroke [mm]	
Piston rod thread	
	Female thread
A	Male thread
Cushioning	
P	Flexible cushioning rings/plates at both ends
Position sensing	
A	For proximity sensing
Variant	
S1	Reinforced piston rod
S2	Through piston rod
S6	Heat resistant up to 120 °C
S20	Through, hollow piston rod
S26	Through piston rod, heat resistant up to 120 °C
S206	Through, hollow piston rod, heat resistant up to 120 °C
R3	Increased corrosion protection

Compact cylinders ADVU

Technical data – Double-acting, basic version

FESTO

Function



- Ø - Diameter
12 ... 125 mm

- | - Stroke length
1 ... 400 mm

- www.festo.com

Wearing parts kits
→ page 21

Variants



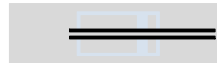
S2



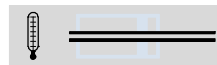
S6



S26



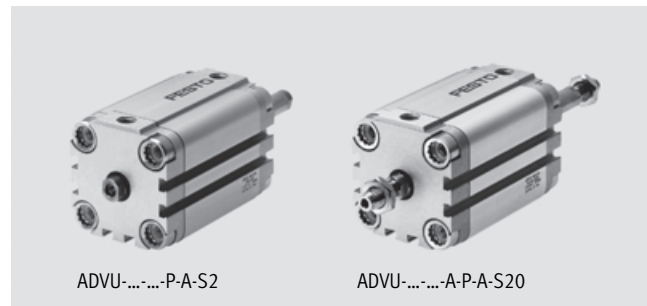
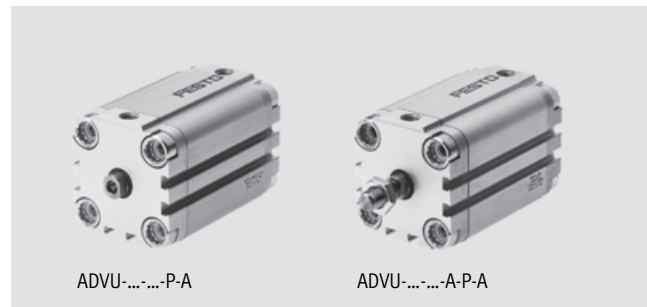
S20



S206



R3



General technical data												
Piston Ø	12	16	20	25	32	40	50	63	80	100	125	
Pneumatic connection	M5	M5	M5	M5	G1/8	G1/8	G1/8	G1/8	G1/8	G1/4	G1/4	
End of piston rod	Female thread	M3	M4	M5	M5	M6	M6	M8	M8	M10	M12	M16
	Male thread	M6	M8	M10x1.25			M12x1.25		M16x1.5	M20x1.5	M27x2	
Operating medium	Compressed air in accordance with ISO 8573-1:2010 [7:4:4]											
Note on operating/pilot medium	Operation with lubricated medium possible (in which case lubricated operation will always be required)											
Constructional design	Piston											
	Piston rod											
Cushioning	Flexible cushioning rings/plates at both ends											
Position sensing	For proximity sensing											
Type of mounting	Via through-holes										-	
	Via female thread											
	Via accessories											
Mounting position	Any											

– † – Note: This product conforms to ISO 1179-1 and to ISO 228-1

Operating pressure [bar]												
Piston Ø	12	16	20	25	32	40	50	63	80	100	125	
Piston rod at one end	1.2 ... 10		1.0 ... 10		0.8 ... 10			0.6 ... 10		0.5 ... 10		
Through piston rod S2/S20	1.5 ... 10	1.3 ... 10	1.2 ... 10		1.0 ... 10			0.8 ... 10		0.5 ... 10		

Ambient conditions				
Compact cylinder	Basic version		S6	R3
Ambient temperature ¹⁾ [°C]	-20 ... +80		0 ... +120	
Corrosion resistance class CRC ²⁾	2		3	

1) Note operating range of proximity sensors

2) Corrosion resistance class CRC 2 to Festo standard FN 940070

Moderate corrosion stress. Indoor applications in which condensation may occur. External visible parts with primarily decorative requirements for the surface and which are in direct contact with the ambient atmosphere typical for industrial applications.

Corrosion resistance class CRC 3 to Festo standard FN 940070

High corrosion stress. Outdoor exposure under moderate corrosive conditions. External visible parts with primarily functional requirements for the surface and which are in direct contact with a normal industrial environment.

Compact cylinders ADVU

Technical data – Double-acting, basic version



Forces [N] and impact energy [J]												
Piston Ø	12	16	20	25	32	40	50	63	80	100	125	
Theoretical force at 6 bar, advancing		68	121	188	295	483	754	1178	1870	3016	4712	7363
	S2/S20	51	90	141	247	415	686	1057	1750	2827	4418	6881
Theoretical force at 6 bar, retracting		51	90	141	247	415	686	1057	1750	2827	4418	6881
	S2/S20	51	90	141	247	415	686	1057	1750	2827	4418	6881
Max. impact energy at end positions		0.07	0.10	0.14	0.30	0.40	0.52	0.64	0.70	0.75	1.00	3.30
	S20	0.01	0.01	0.01	0.01	0.04	0.05	0.06	0.07	0.08	0.10	0.40

Permissible impact velocity:
$$v_{perm.} = \sqrt{\frac{2 \times E_{perm.}}{m_{dead} + m_{load}}}$$

$v_{perm.}$ Permissible impact velocity
 $E_{perm.}$ Max. impact energy
 m_{dead} Moving load (drive)
 m_{load} Moving work load



Note
 These specifications represent the maximum values which can be reached. Note the maximum permitted impact energy.

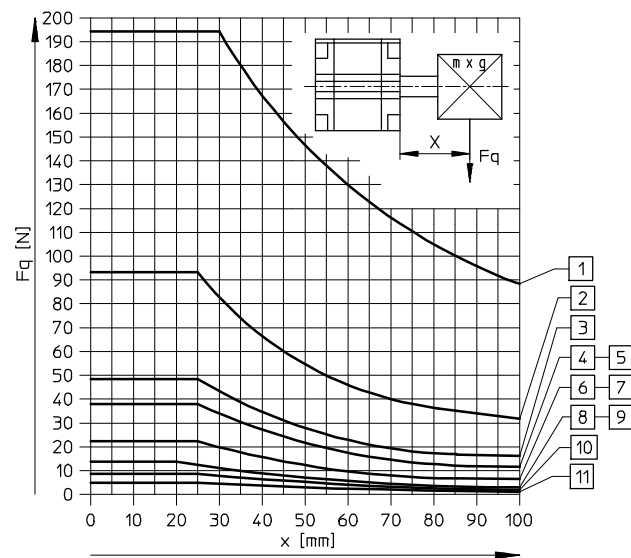
Maximum permissible load:
$$m_{load} = \frac{2 \times E_{perm.}}{v^2} - m_{dead}$$



Note
 Sizing software
 Pro Pneu
www.festo.com

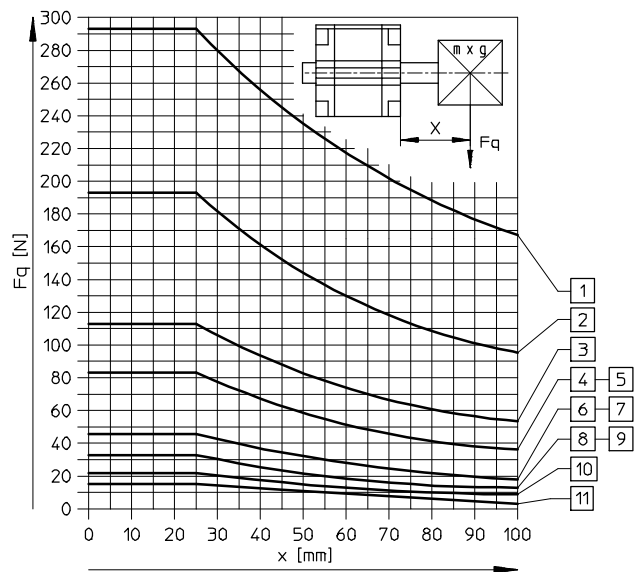
Max. lateral force F_q as a function of the projection x

Piston rod at one end



- 1 Ø 125 mm
- 2 Ø 100 mm
- 3 Ø 80 mm
- 4 Ø 63 mm
- 5 Ø 50 mm
- 6 Ø 40 mm
- 7 Ø 32 mm
- 8 Ø 25 mm

Through piston rod



- 9 Ø 20 mm
- 10 Ø 16 mm
- 11 Ø 12 mm

Compact cylinders ADVU

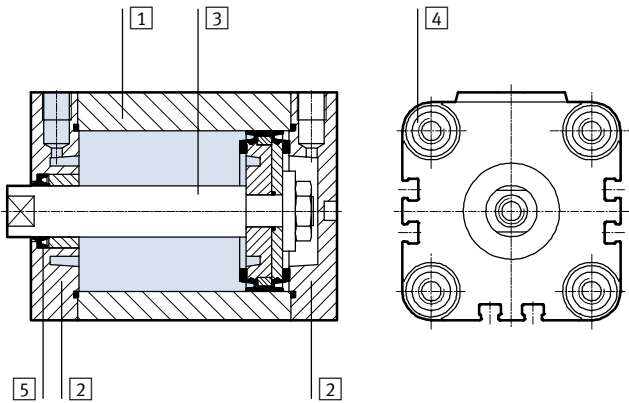
Technical data – Double-acting, basic version

FESTO

Weights [g]											
Piston \varnothing	12	16	20	25	32	40	50	63	80	100	125
Product weight with 0 mm stroke	87	89	149	180	300	433	560	1059	1772	2797	3426
Additional weight per 10 mm stroke	15	15	23	28	40	59	72	107	168	177	168
Moving load with 0 mm stroke	8	12	20	26	49	63	112	134	307	614	1317
Additional load per 10 mm stroke	2	4	6	6	9	9	16	16	25	38	63

Materials

Sectional view



Compact cylinder	Basic version	S6	R3
1 Cylinder barrel	Wrought aluminium alloy	Wrought aluminium alloy	Wrought aluminium alloy
2 End cap	Wrought aluminium alloy	Wrought aluminium alloy	Wrought aluminium alloy
3 Piston rod	\varnothing 12 ... 32	High-alloy stainless steel	High-alloy stainless steel
	\varnothing 40 ... 125	High-alloy steel	High-alloy stainless steel
4 Flange screws	\varnothing 12 ... 16	High-alloy stainless steel	High-alloy stainless steel
	\varnothing 20 ... 125	Galvanised steel	High-alloy stainless steel
5 Dynamic seals	Polyurethane	Fluorocarbon rubber	Polyurethane

Compact cylinders ADVU

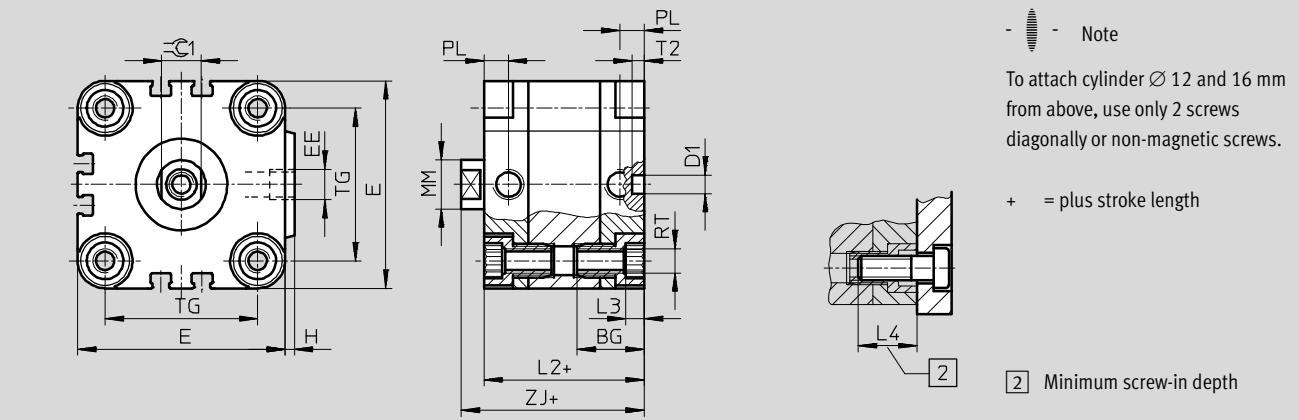
Technical data – Double-acting, basic version



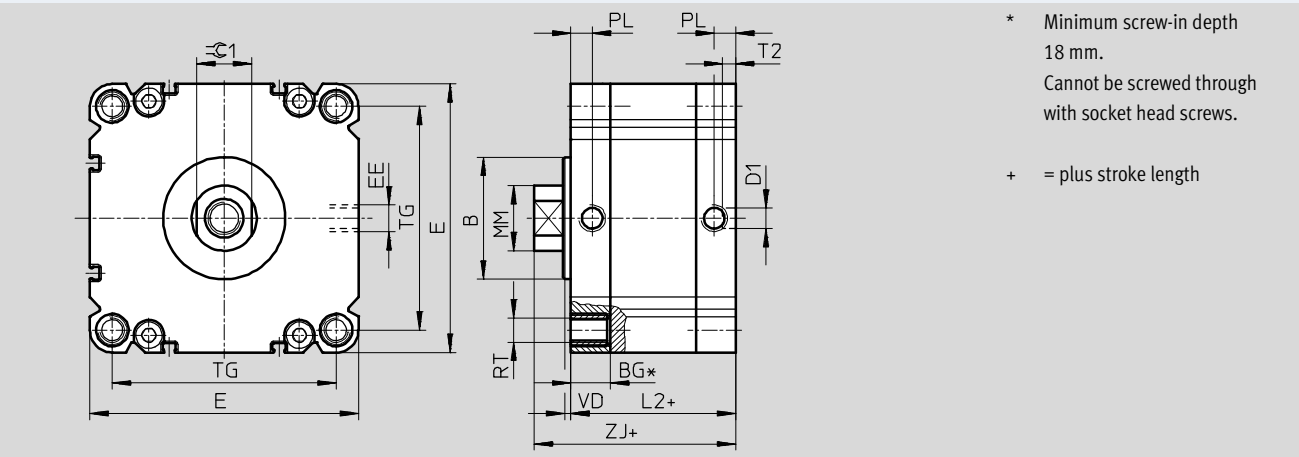
Dimensions – Basic cylinder

Piston \varnothing 12 ... 100 mm

Download CAD data → www.festo.com



Piston \varnothing 125 mm



\varnothing [mm]	B d11	BG	D1 \varnothing H9	E	EE	H	L2	L3	L4	MM \varnothing	PL	RT	T2	TG	VD	ZJ	\approx C1 h13
12	-	18.5	6	29	M5	1	38	3	16	6	8	M4	4	18	-	42.5	5
16	-	18.5	6	29	M5	1	38	3	16	8	8	M4	4	18	-	42.5	7
20	-	18.5	6	36	M5	1.5	38	4	18	10	8	M5	4	22	-	42.5	9
25	-	18.5	6	40	M5	1.5	39.5	4	18	10	8	M5	4	26	-	45	9
32	-	21.5	6	50	G1/8	2	44.5	5	20	12	8	M6	4	32	-	50.5	10
40	-	21.5	6	60	G1/8	2.5	45.5	5	20	12	8	M6	4	42	-	52	10
50	-	22	6	68	G1/8	3	45.5	6	20	16	8	M8	4	50	-	53	13
63	-	24.5	8	87	G1/8	4	50	8	25	16	8	M10	4	62	-	57.5	13
80	-	27.5	8	107	G1/8	4	56	8	25	20	8.5	M10	4	82	-	64	17
100	-	32.5	8	128	G1/4	5	66.5	8	25	25	10.5	M10	4	103	-	76.5	22
125	60	19.5	10	132	G1/4	-	81	-	18	32	10.5	M12	6	110	4	99	27

Note: This product conforms to ISO 1179-1 and to ISO 228-1

Compact cylinders ADVU

Technical data – Double-acting, basic version

FESTO

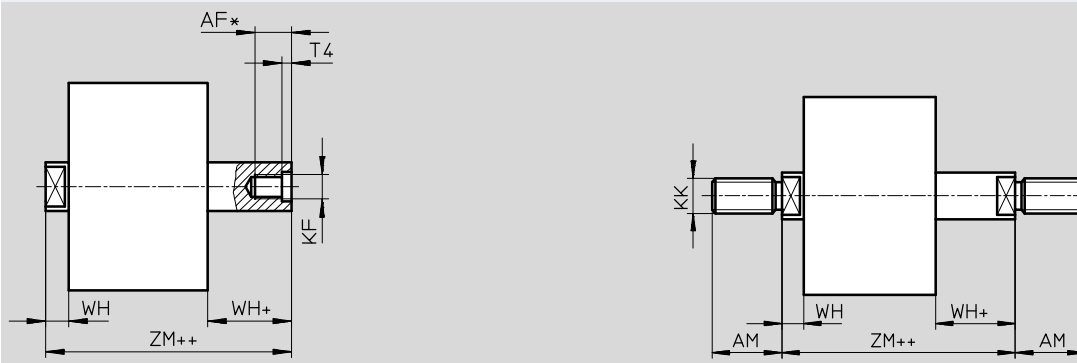
Dimensions – Variants

Download CAD data → www.festo.com

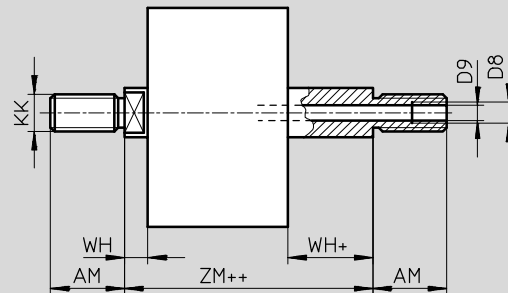
Basic version



S2 – Through piston rod



S20 – Through, hollow piston rod



- + = plus stroke length
- ++ = plus 2x stroke length


∅ [mm]	AF	AM	D8	D9 ∅	KF	KK	T4	WH	ZJ	ZM
12	8	16	–	2.3	M3	M6	1.5	4.5	42.5	47
16	10	20	–	3.2	M4	M8	1.5	4.5	42.5	47
20 ²⁾	12	22	–	3.8	M5	M10x1.25	2	4.5	42.5	47
25 ²⁾	12	22	–	3.8	M5	M10x1.25	2	5.5	45	50.5
32 ²⁾	14	22	–	4.5	M6	M10x1.25	2.6	6	50.5	56.5
40 ²⁾	14	22	–	4.5	M6	M10x1.25	2.6	6.5	52	58.5
50 ²⁾	16	24	–	6	M8	M12x1.25	3.3	7.5	53	60.5
63 ²⁾	16	24	–	6	M8	M12x1.25	3.3	7.5	57.5	65
80 ²⁾	20 ¹⁾	32	G1/8	8	M10	M16x1.5	4.7	8	64	72
100 ²⁾	24 ¹⁾	40	G1/4	11.7	M12	M20x1.5	6.1	10	76.5	86.5
125 ²⁾	25 ¹⁾	54	–	–	M16	M27x2	7	18	99	117

- 1) With a stroke < 5 mm, the maximum screw-in depth is reduced by 5 mm
- 2) Nut for piston rod thread included in scope of delivery

Compact cylinders ADVU

Technical data – Double-acting, basic version


FESTO

Ordering data – Basic version						
Type	Piston Ø [mm]	Stroke [mm]	Piston rod with female thread		Piston rod with male thread	
			Part No.	Type	Part No.	Type
	12	5	156500	ADVU-12-5-P-A	156586	ADVU-12-5-A-P-A
		10	156501	ADVU-12-10-P-A	156587	ADVU-12-10-A-P-A
		15	156502	ADVU-12-15-P-A	156588	ADVU-12-15-A-P-A
		20	156503	ADVU-12-20-P-A	156589	ADVU-12-20-A-P-A
		25	156504	ADVU-12-25-P-A	156590	ADVU-12-25-A-P-A
		30	156505	ADVU-12-30-P-A	156591	ADVU-12-30-A-P-A
		40	156506	ADVU-12-40-P-A	156592	ADVU-12-40-A-P-A
		16	5	156507	ADVU-16-5-P-A	156593
	10		156508	ADVU-16-10-P-A	156594	ADVU-16-10-A-P-A
	15		156509	ADVU-16-15-P-A	156595	ADVU-16-15-A-P-A
	20		156510	ADVU-16-20-P-A	156596	ADVU-16-20-A-P-A
	25		156511	ADVU-16-25-P-A	156597	ADVU-16-25-A-P-A
	30		156512	ADVU-16-30-P-A	156598	ADVU-16-30-A-P-A
	40		156513	ADVU-16-40-P-A	156599	ADVU-16-40-A-P-A
	20		5	156514	ADVU-20-5-P-A	156600
		10	156515	ADVU-20-10-P-A	156601	ADVU-20-10-A-P-A
		15	156516	ADVU-20-15-P-A	156602	ADVU-20-15-A-P-A
		20	156517	ADVU-20-20-P-A	156603	ADVU-20-20-A-P-A
		25	156518	ADVU-20-25-P-A	156604	ADVU-20-25-A-P-A
		30	156519	ADVU-20-30-P-A	156605	ADVU-20-30-A-P-A
		40	156520	ADVU-20-40-P-A	156606	ADVU-20-40-A-P-A
		50	156521	ADVU-20-50-P-A	156607	ADVU-20-50-A-P-A
	25	5	156522	ADVU-25-5-P-A	156608	ADVU-25-5-A-P-A
		10	156523	ADVU-25-10-P-A	156609	ADVU-25-10-A-P-A
		15	156524	ADVU-25-15-P-A	156610	ADVU-25-15-A-P-A
		20	156525	ADVU-25-20-P-A	156611	ADVU-25-20-A-P-A
		25	156526	ADVU-25-25-P-A	156612	ADVU-25-25-A-P-A
		30	156527	ADVU-25-30-P-A	156613	ADVU-25-30-A-P-A
40		156528	ADVU-25-40-P-A	156614	ADVU-25-40-A-P-A	
50		156529	ADVU-25-50-P-A	156615	ADVU-25-50-A-P-A	
32	5	156530	ADVU-32-5-P-A	156616	ADVU-32-5-A-P-A	
	10	156531	ADVU-32-10-P-A	156617	ADVU-32-10-A-P-A	
	15	156532	ADVU-32-15-P-A	156618	ADVU-32-15-A-P-A	
	20	156533	ADVU-32-20-P-A	156619	ADVU-32-20-A-P-A	
	25	156534	ADVU-32-25-P-A	156620	ADVU-32-25-A-P-A	
	30	156535	ADVU-32-30-P-A	156621	ADVU-32-30-A-P-A	
	40	156536	ADVU-32-40-P-A	156622	ADVU-32-40-A-P-A	
	50	156537	ADVU-32-50-P-A	156623	ADVU-32-50-A-P-A	
	60	156538	ADVU-32-60-P-A	156624	ADVU-32-60-A-P-A	
	80	156539	ADVU-32-80-P-A	156625	ADVU-32-80-A-P-A	

Compact cylinders ADVU

Technical data – Double-acting, basic version


FESTO

Ordering data – Basic version							
Type	Piston Ø [mm]	Stroke [mm]	Piston rod with female thread		Piston rod with male thread		
			Part No.	Type	Part No.	Type	
	40	5	156540	ADVU-40-5-P-A	156626	ADVU-40-5-A-P-A	
		10	156541	ADVU-40-10-P-A	156627	ADVU-40-10-A-P-A	
		15	156542	ADVU-40-15-P-A	156628	ADVU-40-15-A-P-A	
		20	156543	ADVU-40-20-P-A	156629	ADVU-40-20-A-P-A	
		25	156544	ADVU-40-25-P-A	156630	ADVU-40-25-A-P-A	
		30	156545	ADVU-40-30-P-A	156631	ADVU-40-30-A-P-A	
		40	156546	ADVU-40-40-P-A	156632	ADVU-40-40-A-P-A	
		50	156547	ADVU-40-50-P-A	156633	ADVU-40-50-A-P-A	
		60	156548	ADVU-40-60-P-A	156634	ADVU-40-60-A-P-A	
	80	156549	ADVU-40-80-P-A	156635	ADVU-40-80-A-P-A		
	50	10	10	156550	ADVU-50-10-P-A	156636	ADVU-50-10-A-P-A
			15	156551	ADVU-50-15-P-A	156637	ADVU-50-15-A-P-A
			20	156552	ADVU-50-20-P-A	156638	ADVU-50-20-A-P-A
			25	156553	ADVU-50-25-P-A	156639	ADVU-50-25-A-P-A
			30	156554	ADVU-50-30-P-A	156640	ADVU-50-30-A-P-A
			40	156555	ADVU-50-40-P-A	156641	ADVU-50-40-A-P-A
			50	156556	ADVU-50-50-P-A	156642	ADVU-50-50-A-P-A
			60	156557	ADVU-50-60-P-A	156643	ADVU-50-60-A-P-A
	63	10	10	156559	ADVU-63-10-P-A	156645	ADVU-63-10-A-P-A
			15	156560	ADVU-63-15-P-A	156646	ADVU-63-15-A-P-A
			20	156561	ADVU-63-20-P-A	156647	ADVU-63-20-A-P-A
			25	156562	ADVU-63-25-P-A	156648	ADVU-63-25-A-P-A
			30	156563	ADVU-63-30-P-A	156649	ADVU-63-30-A-P-A
			40	156564	ADVU-63-40-P-A	156650	ADVU-63-40-A-P-A
			50	156565	ADVU-63-50-P-A	156651	ADVU-63-50-A-P-A
			60	156566	ADVU-63-60-P-A	156652	ADVU-63-60-A-P-A
	80	10	10	156568	ADVU-80-10-P-A	156654	ADVU-80-10-A-P-A
			15	156569	ADVU-80-15-P-A	156655	ADVU-80-15-A-P-A
			20	156570	ADVU-80-20-P-A	156656	ADVU-80-20-A-P-A
			25	156571	ADVU-80-25-P-A	156657	ADVU-80-25-A-P-A
			30	156572	ADVU-80-30-P-A	156658	ADVU-80-30-A-P-A
			40	156573	ADVU-80-40-P-A	156659	ADVU-80-40-A-P-A
50			156574	ADVU-80-50-P-A	156660	ADVU-80-50-A-P-A	
60			156575	ADVU-80-60-P-A	156661	ADVU-80-60-A-P-A	
100	10	10	156577	ADVU-100-10-P-A	156663	ADVU-100-10-A-P-A	
		15	156578	ADVU-100-15-P-A	156664	ADVU-100-15-A-P-A	
		20	156579	ADVU-100-20-P-A	156665	ADVU-100-20-A-P-A	
		25	156580	ADVU-100-25-P-A	156666	ADVU-100-25-A-P-A	
		30	156581	ADVU-100-30-P-A	156667	ADVU-100-30-A-P-A	
		40	156582	ADVU-100-40-P-A	156668	ADVU-100-40-A-P-A	
		50	156583	ADVU-100-50-P-A	156669	ADVU-100-50-A-P-A	
		60	156584	ADVU-100-60-P-A	156670	ADVU-100-60-A-P-A	
		80	156585	ADVU-100-80-P-A	156671	ADVU-100-80-A-P-A	

Compact cylinders ADVU

Technical data – Double-acting, basic version





FESTO

Ordering data – Basic version						
Type	Piston Ø [mm]	Stroke [mm]	Piston rod with female thread		Piston rod with male thread	
			Part No.	Type	Part No.	Type
	125	10	175750	ADVU-125-10-P-A	175762	ADVU-125-10-A-P-A
		15	175751	ADVU-125-15-P-A	175763	ADVU-125-15-A-P-A
		20	175752	ADVU-125-20-P-A	175764	ADVU-125-20-A-P-A
		25	175753	ADVU-125-25-P-A	175765	ADVU-125-25-A-P-A
		30	175754	ADVU-125-30-P-A	175766	ADVU-125-30-A-P-A
		40	175755	ADVU-125-40-P-A	175767	ADVU-125-40-A-P-A
		50	175756	ADVU-125-50-P-A	175768	ADVU-125-50-A-P-A
		60	175757	ADVU-125-60-P-A	175769	ADVU-125-60-A-P-A
		80	175758	ADVU-125-80-P-A	175770	ADVU-125-80-A-P-A

Compact cylinders ADVU

Technical data – Double-acting, basic version

FESTO

Ordering data – Variants						
Type	Piston Ø [mm]	Stroke [mm]	Piston rod with female thread		Piston rod with male thread	
			Part No.	Type	Part No.	Type
Variable stroke						
	12	1 ... 200	156000	ADVU-12-...-P-A	156040	ADVU-12-...-A-P-A
	16	1 ... 200	156001	ADVU-16-...-P-A	156041	ADVU-16-...-A-P-A
	20	1 ... 200	156002	ADVU-20-...-P-A	156042	ADVU-20-...-A-P-A
	25	1 ... 200	156003	ADVU-25-...-P-A	156043	ADVU-25-...-A-P-A
	32	1 ... 300	156004	ADVU-32-...-P-A	156044	ADVU-32-...-A-P-A
	40	1 ... 300	156005	ADVU-40-...-P-A	156045	ADVU-40-...-A-P-A
	50	1 ... 300	156006	ADVU-50-...-P-A	156046	ADVU-50-...-A-P-A
	63	1 ... 300	156007	ADVU-63-...-P-A	156047	ADVU-63-...-A-P-A
	80	1 ... 400	156008	ADVU-80-...-P-A	156048	ADVU-80-...-A-P-A
	100	1 ... 400	156009	ADVU-100-...-P-A	156049	ADVU-100-...-A-P-A
	125	1 ... 400	175759	ADVU-125-...-P-A	175771	ADVU-125-...-A-P-A
S2 – Through piston rod						
	12	1 ... 200	156010	ADVU-12-...-P-A-S2	156050	ADVU-12-...-A-P-A-S2
	16	1 ... 200	156011	ADVU-16-...-P-A-S2	156051	ADVU-16-...-A-P-A-S2
	20	1 ... 200	156012	ADVU-20-...-P-A-S2	156052	ADVU-20-...-A-P-A-S2
	25	1 ... 200	156013	ADVU-25-...-P-A-S2	156053	ADVU-25-...-A-P-A-S2
	32	1 ... 300	156014	ADVU-32-...-P-A-S2	156054	ADVU-32-...-A-P-A-S2
	40	1 ... 300	156015	ADVU-40-...-P-A-S2	156055	ADVU-40-...-A-P-A-S2
	50	1 ... 300	156016	ADVU-50-...-P-A-S2	156056	ADVU-50-...-A-P-A-S2
	63	1 ... 300	156017	ADVU-63-...-P-A-S2	156057	ADVU-63-...-A-P-A-S2
	80	1 ... 400	156018	ADVU-80-...-P-A-S2	156058	ADVU-80-...-A-P-A-S2
	100	1 ... 400	156019	ADVU-100-...-P-A-S2	156059	ADVU-100-...-A-P-A-S2
	125	1 ... 400	175760	ADVU-125-...-P-A-S2	175772	ADVU-125-...-A-P-A-S2
S6 – Heat resistant up to 120 °C						
	12	1 ... 200	156030	ADVU-12-...-P-A-S6	156090	ADVU-12-...-A-P-A-S6
	16	1 ... 200	156031	ADVU-16-...-P-A-S6	156091	ADVU-16-...-A-P-A-S6
	20	1 ... 200	156032	ADVU-20-...-P-A-S6	156092	ADVU-20-...-A-P-A-S6
	25	1 ... 200	156033	ADVU-25-...-P-A-S6	156093	ADVU-25-...-A-P-A-S6
	32	1 ... 300	156034	ADVU-32-...-P-A-S6	156094	ADVU-32-...-A-P-A-S6
	40	1 ... 300	156035	ADVU-40-...-P-A-S6	156095	ADVU-40-...-A-P-A-S6
	50	1 ... 300	156036	ADVU-50-...-P-A-S6	156096	ADVU-50-...-A-P-A-S6
	63	1 ... 300	156037	ADVU-63-...-P-A-S6	156097	ADVU-63-...-A-P-A-S6
	80	1 ... 400	156038	ADVU-80-...-P-A-S6	156098	ADVU-80-...-A-P-A-S6
	100	1 ... 400	156039	ADVU-100-...-P-A-S6	156099	ADVU-100-...-A-P-A-S6
	125	1 ... 400	175761	ADVU-125-...-P-A-S6	175773	ADVU-125-...-A-P-A-S6
S26 – Through piston rod, heat resistant up to 120 °C						
	12	1 ... 200	156020	ADVU-12-...-P-A-S26	156080	ADVU-12-...-A-P-A-S26
	16	1 ... 200	156021	ADVU-16-...-P-A-S26	156081	ADVU-16-...-A-P-A-S26
	20	1 ... 200	156022	ADVU-20-...-P-A-S26	156082	ADVU-20-...-A-P-A-S26
	25	1 ... 200	156023	ADVU-25-...-P-A-S26	156083	ADVU-25-...-A-P-A-S26
	32	1 ... 300	156024	ADVU-32-...-P-A-S26	156084	ADVU-32-...-A-P-A-S26
	40	1 ... 300	156025	ADVU-40-...-P-A-S26	156085	ADVU-40-...-A-P-A-S26
	50	1 ... 300	156026	ADVU-50-...-P-A-S26	156086	ADVU-50-...-A-P-A-S26
	63	1 ... 300	156027	ADVU-63-...-P-A-S26	156087	ADVU-63-...-A-P-A-S26
	80	1 ... 400	156028	ADVU-80-...-P-A-S26	156088	ADVU-80-...-A-P-A-S26
	100	1 ... 400	156029	ADVU-100-...-P-A-S26	156089	ADVU-100-...-A-P-A-S26

Compact cylinders ADVU

Technical data – Double-acting, basic version



Ordering data – Variants						
Type	Piston Ø [mm]	Stroke [mm]	Piston rod with female thread		Piston rod with male thread	
			Part No.	Type	Part No.	Type
S20 – Through, hollow piston rod						
	12	1 ... 200	-		156060	ADVU-12-...-A-P-A-S20
	16	1 ... 200			156061	ADVU-16-...-A-P-A-S20
	20	1 ... 200			156062	ADVU-20-...-A-P-A-S20
	25	1 ... 200			156063	ADVU-25-...-A-P-A-S20
	32	1 ... 300			156064	ADVU-32-...-A-P-A-S20
	40	1 ... 300			156065	ADVU-40-...-A-P-A-S20
	50	1 ... 300			156066	ADVU-50-...-A-P-A-S20
	63	1 ... 300			156067	ADVU-63-...-A-P-A-S20
	80	1 ... 400			156068	ADVU-80-...-A-P-A-S20
	100	1 ... 400			156069	ADVU-100-...-A-P-A-S20
S206 – Through, hollow piston rod, heat resistant up to 120 °C						
	12	1 ... 200	-		156070	ADVU-12-...-A-P-A-S206
	16	1 ... 200			156071	ADVU-16-...-A-P-A-S206
	20	1 ... 200			156072	ADVU-20-...-A-P-A-S206
	25	1 ... 200			156073	ADVU-25-...-A-P-A-S206
	32	1 ... 300			156074	ADVU-32-...-A-P-A-S206
	40	1 ... 300			156075	ADVU-40-...-A-P-A-S206
	50	1 ... 300			156076	ADVU-50-...-A-P-A-S206
	63	1 ... 300			156077	ADVU-63-...-A-P-A-S206
	80	1 ... 400			156078	ADVU-80-...-A-P-A-S206
	100	1 ... 400			156079	ADVU-100-...-A-P-A-S206
R3 – Increased corrosion protection						
	12	1 ... 200	176840	ADVU-12-...-P-A-R3	176851	ADVU-12-...-A-P-A-R3
	16	1 ... 200	176841	ADVU-16-...-P-A-R3	176852	ADVU-16-...-A-P-A-R3
	20	1 ... 200	176842	ADVU-20-...-P-A-R3	176853	ADVU-20-...-A-P-A-R3
	25	1 ... 200	176843	ADVU-25-...-P-A-R3	176854	ADVU-25-...-A-P-A-R3
	32	1 ... 300	176844	ADVU-32-...-P-A-R3	176855	ADVU-32-...-A-P-A-R3
	40	1 ... 300	176845	ADVU-40-...-P-A-R3	176856	ADVU-40-...-A-P-A-R3
	50	1 ... 300	176846	ADVU-50-...-P-A-R3	176857	ADVU-50-...-A-P-A-R3
	63	1 ... 300	176847	ADVU-63-...-P-A-R3	176858	ADVU-63-...-A-P-A-R3
	80	1 ... 400	176848	ADVU-80-...-P-A-R3	176859	ADVU-80-...-A-P-A-R3
	100	1 ... 400	176849	ADVU-100-...-P-A-R3	176860	ADVU-100-...-A-P-A-R3
	125	1 ... 400	176850	ADVU-125-...-P-A-R3	176861	ADVU-125-...-A-P-A-R3

Compact cylinders ADVU

Technical data – Double-acting, basic version

Ordering data – Wearing parts kits			
	Part No.	Type	
Piston Ø	Basic version		S6 – Heat resistant up to 120 °C
32	121119	ADVU-32-...-(A)-P-A ¹⁾	383563 ADVU-32-...-(A)-P-A-S6 ¹⁾
40	121120	ADVU-40-...-(A)-P-A ¹⁾	383564 ADVU-40-...-(A)-P-A-S6 ¹⁾
50	121121	ADVU-50-...-(A)-P-A ¹⁾	383565 ADVU-50-...-(A)-P-A-S6 ¹⁾
63	121122	ADVU-63-...-(A)-P-A ¹⁾	383566 ADVU-63-...-(A)-P-A-S6 ¹⁾
80	121123	ADVU-80-...-(A)-P-A ¹⁾	383567 ADVU-80-...-(A)-P-A-S6 ¹⁾
100	121124	ADVU-100-...-(A)-P-A ¹⁾	383568 ADVU-100-...-(A)-P-A-S6 ¹⁾
125	380423	ADVU-125-...-(A)-P-A ¹⁾	383569 ADVU-125-...-(A)-P-A-S6 ¹⁾

1) Assembly grease included in scope of delivery

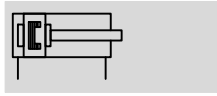
2) Assembly grease not included in scope of delivery. If required, please order separately under part no. 329 555 (20 ml)

Compact cylinders ADVULQ

Technical data – Double-acting, non-rotating with square piston rod

FESTO

Function



- Ø - Diameter
12 ... 100 mm

- | - Stroke length
1 ... 400 mm

- T - www.festo.com

Variants



S2



S6



S26



S20



S206



ADVULQ-...-P-A



ADVULQ-...-P-A-S2

General technical data											
Piston Ø	12	16	20	25	32	40	50	63	80	100	
Pneumatic connection	M5	M5	M5	M5	G1/8	G1/8	G1/8	G1/8	G1/8	G1/4	
End of piston rod	Female thread	M3	M4	M5	M5	M6	M6	M8	M8	M10	M12
	Male thread	M6	M8	M10x1.25			M12x1.25		M16x1.5	M20x1.5	
Operating medium	Compressed air in accordance with ISO 8573-1:2010 [7:4:4]										
Note on operating/pilot medium	Operation with lubricated medium possible (in which case lubricated operation will always be required)										
Constructional design	Piston										
	Piston rod										
Cushioning	Flexible cushioning rings/plates at both ends										
Position sensing	For proximity sensing										
Type of mounting	Via through-holes										
	Via female thread										
	Via accessories										
Mounting position	Any										

- | - Note: This product conforms to ISO 1179-1 and to ISO 228-1

Operating pressure [bar]										
Piston Ø	12	16	20	25	32	40	50	63	80	100
Piston rod at one end	1.3 ... 10		1.0 ... 10		0.8 ... 10			0.6 ... 10		
Through piston rod S2/S20	1.5 ... 10	1.3 ... 10	1.2 ... 10		1.0 ... 10			0.8 ... 10		

Ambient conditions		
Compact cylinder	Basic version	S6
Ambient temperature ¹⁾	[°C]	-20 ... +80
Corrosion resistance class CRC ²⁾		2

1) Note operating range of proximity sensors

2) Corrosion resistance class CRC 2 to Festo standard FN 940070

Moderate corrosion stress. Indoor applications in which condensation may occur. External visible parts with primarily decorative requirements for the surface and which are in direct contact with the ambient atmosphere typical for industrial applications.

Compact cylinders ADVULQ

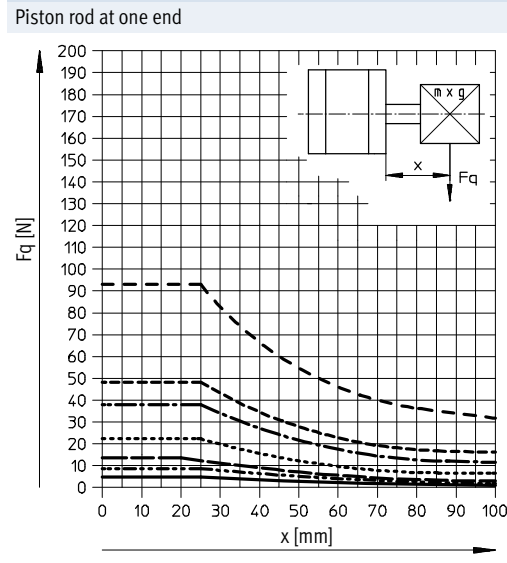
Technical data – Double-acting, non-rotating with square piston rod

Forces [N] and impact energy [J]											
Piston \varnothing	12	16	20	25	32	40	50	63	80	100	
Theoretical force at 6 bar, advancing		68	121	188	295	483	754	1178	1870	3016	4712
	S2/S20	51	90	141	247	415	686	1057	1750	2827	4418
Theoretical force at 6 bar, retracting		51	90	141	247	415	686	1057	1750	2827	4418
	S2/S20	51	90	141	247	415	686	1057	1750	2827	4418
Max. impact energy at end positions		0.07	0.10	0.14	0.30	0.40	0.52	0.64	0.70	0.75	1.00
	S20	0.01	0.01	0.01	0.01	0.04	0.05	0.06	0.07	0.08	0.10

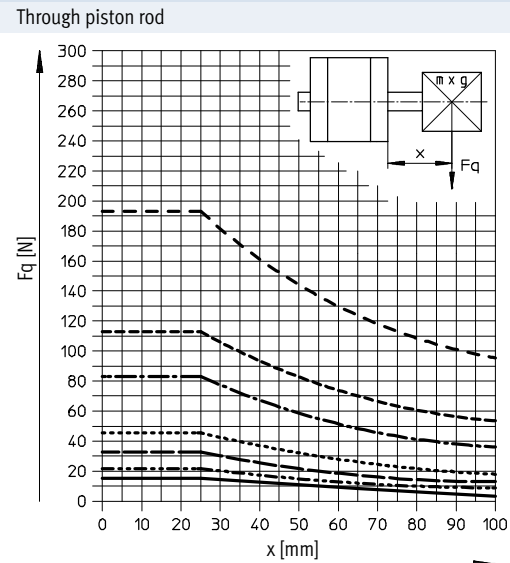
Technical data – Square piston rod										
Piston \varnothing	12	16	20	25	32	40	50	63	80	100
Max. torque at the piston rod ¹⁾ [Nm]	0.10	0.20	0.45	0.45	0.80	0.80	1.10	1.10	1.50	3.00
Max. torsional backlash of piston rod [°]	±1.0	±0.9	±0.8	±0.8	±0.6	±0.6	±0.5	±0.5	±0.4	±0.4
Piston rod distortion [°/50 mm]	0.40	0.30	0.25	0.25	0.20	0.20	0.15	0.15	0.15	0.09

1) The max. torque must not be exceeded even when fitting attachments

Max. lateral force F_q as a function of the projection x



- \varnothing 12
- - - \varnothing 16
- \varnothing 20/25
- - - \varnothing 32/40
- \varnothing 50/63
- - - \varnothing 80
- - - \varnothing 100



- \varnothing 12
- - - \varnothing 16
- \varnothing 20/25
- - - \varnothing 32/40
- \varnothing 50/63
- - - \varnothing 80
- - - \varnothing 100

Compact cylinders ADVULQ

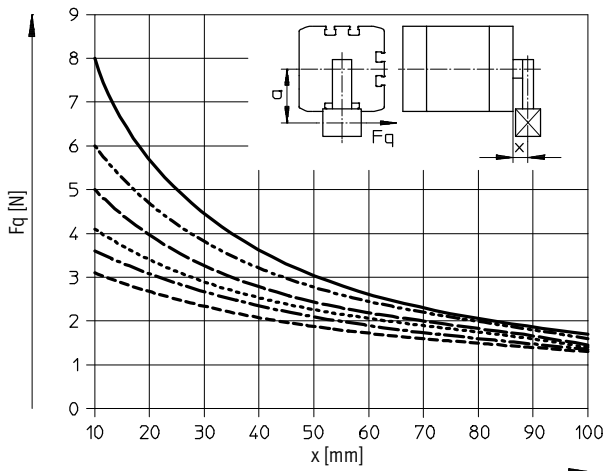
Technical data – Double-acting, non-rotating with square piston rod



Max. lateral force F_q as a function of the projection x

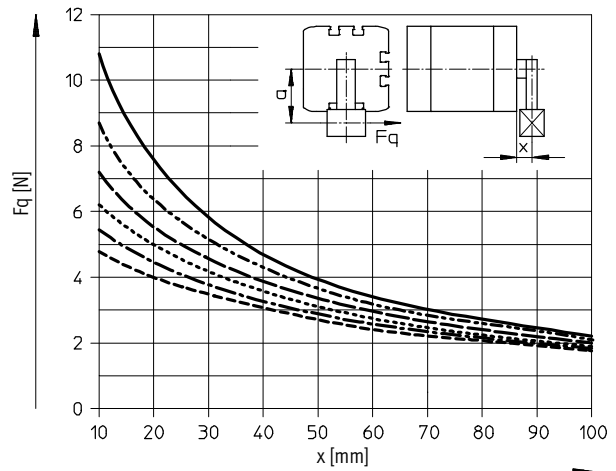
Q – square piston rod

Ø 12



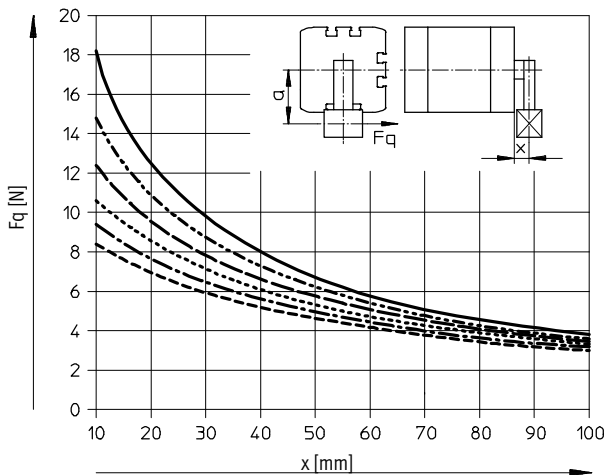
- a = 5 mm
- - - a = 10 mm
- - - a = 15 mm
- · - · a = 20 mm
- · - · a = 25 mm
- · - · a = 30 mm

Ø 16



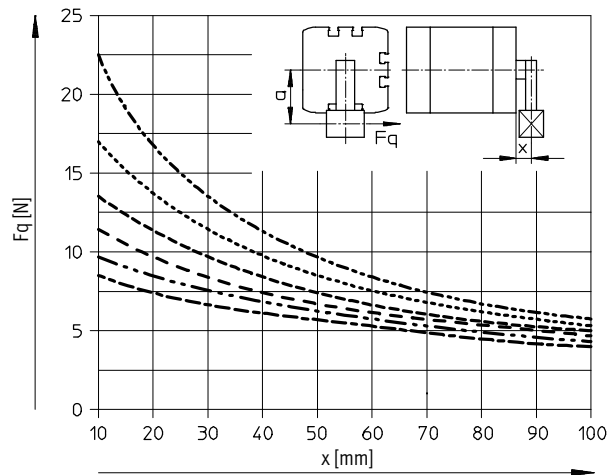
- a = 5 mm
- - - a = 10 mm
- - - a = 15 mm
- · - · a = 20 mm
- · - · a = 25 mm
- · - · a = 30 mm

Ø 20/25



- a = 5 mm
- - - a = 10 mm
- - - a = 15 mm
- · - · a = 20 mm
- · - · a = 25 mm
- · - · a = 30 mm

Ø 32/40



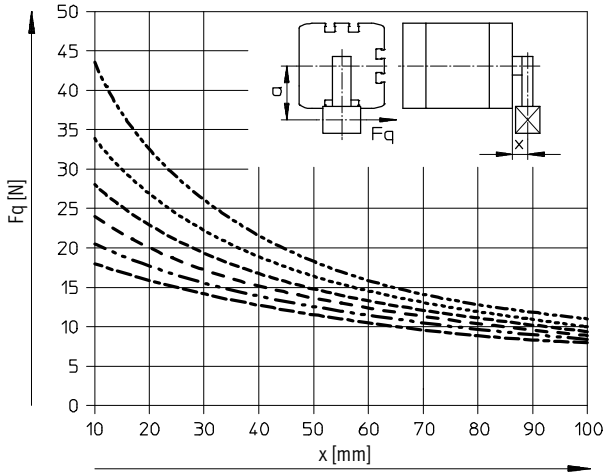
- - - a = 10 mm
- · - · a = 20 mm
- - - a = 30 mm
- - - a = 40 mm
- · - · a = 50 mm
- - - a = 60 mm

Compact cylinders ADVULQ

Technical data – Double-acting, non-rotating with square piston rod

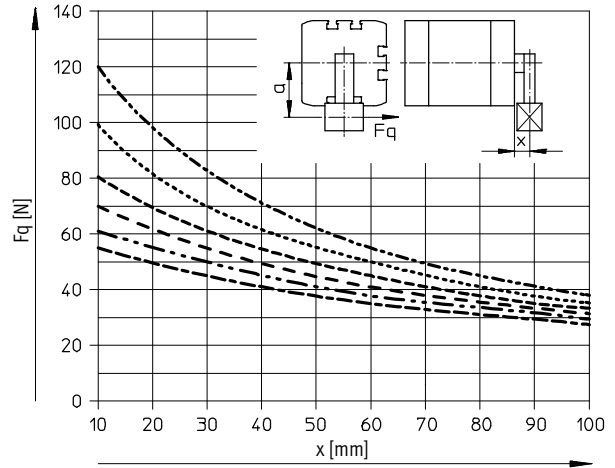
Max. lateral force F_q as a function of the projection x

Ø 50/63



- a = 10 mm
- a = 20 mm
- a = 30 mm
- a = 40 mm
- a = 50 mm
- a = 60 mm

Ø 80/100



- a = 10 mm
- a = 20 mm
- a = 30 mm
- a = 40 mm
- a = 50 mm
- a = 60 mm

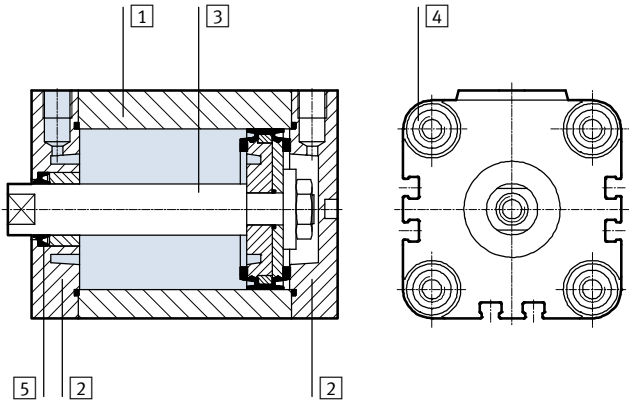
Weights [g]										
Piston Ø	12	16	20	25	32	40	50	63	80	100
Product weight with 0 mm stroke	87	89	149	180	300	433	560	1059	1772	2797
Additional weight per 10 mm stroke	15	15	23	28	40	59	72	107	168	177
Moving load with 0 mm stroke	8	12	20	26	49	63	112	134	307	614
Additional load per 10 mm stroke	2	4	6	6	9	9	16	16	25	38

Compact cylinders ADVULQ

Technical data – Double-acting, non-rotating with square piston rod

Materials

Sectional view



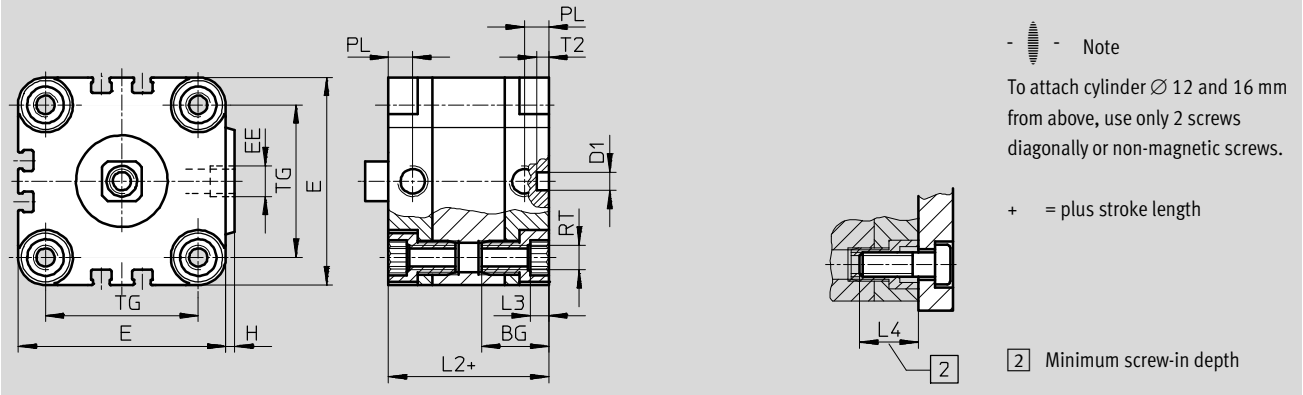
Compact cylinder	Basic version	S6
1 Cylinder barrel	Wrought aluminium alloy	Wrought aluminium alloy
2 End cap	Wrought aluminium alloy	Wrought aluminium alloy
3 Piston rod	∅ 12 ... 32	High-alloy stainless steel
	∅ 40 ... 100	High-alloy steel
4 Flange screws	∅ 12 ... 16	High-alloy stainless steel
	∅ 20 ... 100	Galvanised steel
5 Dynamic seals	Polyurethane	Fluorocarbon rubber

Compact cylinders ADVULQ

Technical data – Double-acting, non-rotating with square piston rod

Dimensions – Basic cylinder

Download CAD data → www.festo.com



Ø	BG	D1	E	EE	H	L2	L3	L4	PL	RT	T2	TG
[mm]		Ø H9									-0.2	
12	18.5	6	29	M5	1	38	3	16	8	M4	4	18
16	18.5	6	29	M5	1	38	3	16	8	M4	4	18
20	18.5	6	36	M5	1.5	38	4	18	8	M5	4	22
25	18.5	6	40	M5	1.5	39.5	4	18	8	M5	4	26
32	21.5	6	50	G1/8	2	44.5	5	20	8	M6	4	32
40	21.5	6	60	G1/8	2.5	45.5	5	20	8	M6	4	42
50	22	6	68	G1/8	3	45.5	6	20	8	M8	4	50
63	24.5	8	87	G1/8	4	50	8	25	8	M10	4	62
80	27.5	8	107	G1/8	4	56	8	25	8.5	M10	4	82
100	32.5	8	128	G1/4	5	66.5	8	25	10.5	M10	4	103

- - Note: This product conforms to ISO 1179-1 and to ISO 228-1

Compact cylinders ADVULQ

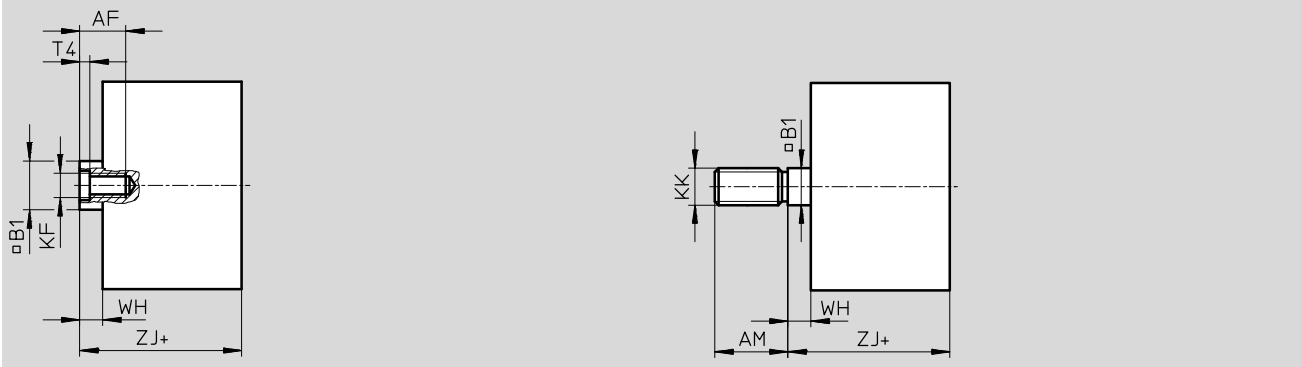
Technical data – Double-acting, non-rotating with square piston rod

FESTO

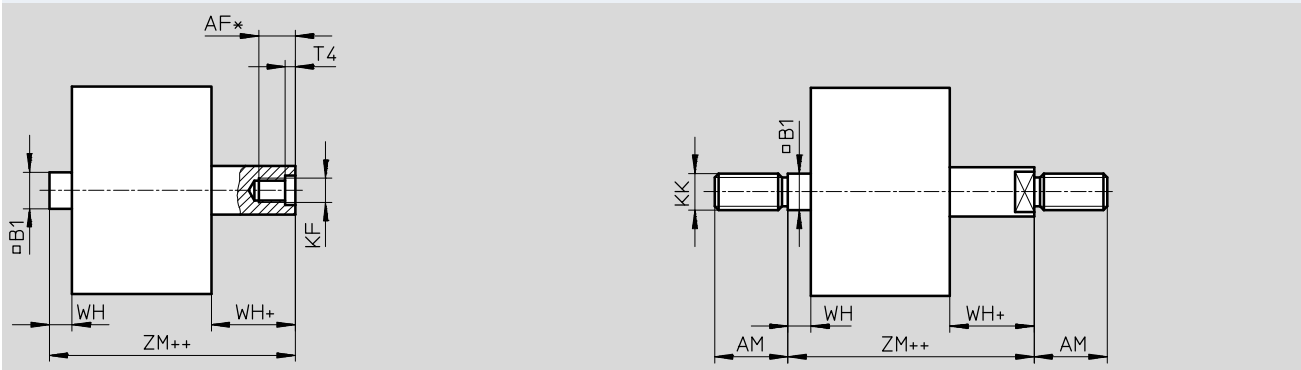
Dimensions – Variants

Download CAD data → www.festo.com

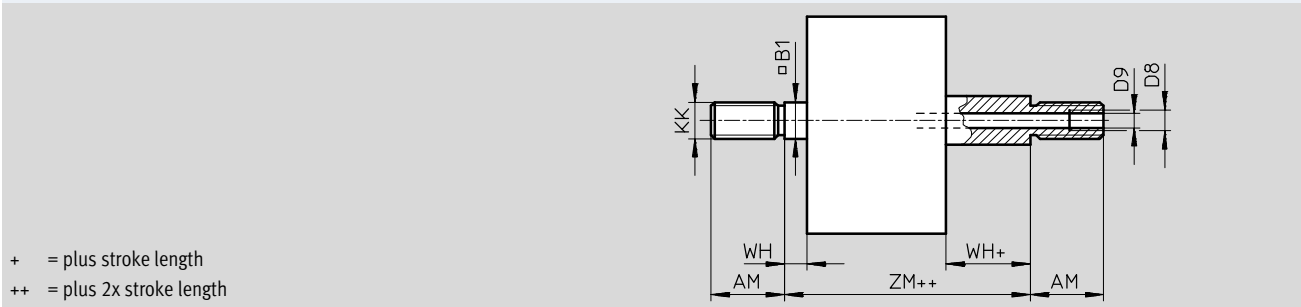
Basic version



S2 – Through piston rod



S20 – Through, hollow piston rod



+ = plus stroke length
++ = plus 2x stroke length


∅ [mm]	AF	AM	B1 □	D8	D9 ∅	KF	KK	T4	WH	ZJ	ZM
12	8	16	5.5	–	2.3	M3	M6	1.5	4.5	42.5	47
16	10	20	7	–	3.2	M4	M8	1.5	4.5	42.5	47
20 ²⁾	12	22	9	–	3.8	M5	M10x1.25	2	4.5	42.5	47
25 ²⁾	12	22	9	–	3.8	M5	M10x1.25	2	5.5	45	50.5
32 ²⁾	14	22	10	–	4.5	M6	M10x1.25	2.6	6	50.5	56.5
40 ²⁾	14	22	10	–	4.5	M6	M10x1.25	2.6	6.5	52	58.5
50 ²⁾	16	24	12	–	6	M8	M12x1.25	3.3	7.5	53	60.5
63 ²⁾	16	24	12	–	6	M8	M12x1.25	3.3	7.5	57.5	65
80 ²⁾	20 ¹⁾	32	16	G1/8	8	M10	M16x1.5	4.7	8	64	72
100 ²⁾	24 ¹⁾	40	20	G1/4	11.7	M12	M20x1.5	6.1	10	76.5	86.5

1) With a stroke < 5 mm, the maximum screw-in depth is reduced by 5 mm

2) Nut for piston rod thread included in scope of delivery


Compact cylinders ADVULQ

Technical data – Double-acting, non-rotating with square piston rod

Ordering data – Basic version						
Type	Piston Ø [mm]	Stroke [mm]	Piston rod with female thread		Piston rod with male thread	
			Part No.	Type	Part No.	Type
	12	5	156672	ADVULQ-12-5-P-A	156758	ADVULQ-12-5-A-P-A
		10	156673	ADVULQ-12-10-P-A	156759	ADVULQ-12-10-A-P-A
		15	156674	ADVULQ-12-15-P-A	156760	ADVULQ-12-15-A-P-A
		20	156675	ADVULQ-12-20-P-A	156761	ADVULQ-12-20-A-P-A
		25	156676	ADVULQ-12-25-P-A	156762	ADVULQ-12-25-A-P-A
		30	156677	ADVULQ-12-30-P-A	156763	ADVULQ-12-30-A-P-A
		40	156678	ADVULQ-12-40-P-A	156764	ADVULQ-12-40-A-P-A
		16	5	156679	ADVULQ-16-5-P-A	156765
	10		156680	ADVULQ-16-10-P-A	156766	ADVULQ-16-10-A-P-A
	15		156681	ADVULQ-16-15-P-A	156767	ADVULQ-16-15-A-P-A
	20		156682	ADVULQ-16-20-P-A	156768	ADVULQ-16-20-A-P-A
	25		156683	ADVULQ-16-25-P-A	156769	ADVULQ-16-25-A-P-A
	30		156684	ADVULQ-16-30-P-A	156770	ADVULQ-16-30-A-P-A
	40		156685	ADVULQ-16-40-P-A	156771	ADVULQ-16-40-A-P-A
	20		5	156686	ADVULQ-20-5-P-A	156772
		10	156687	ADVULQ-20-10-P-A	156773	ADVULQ-20-10-A-P-A
		15	156688	ADVULQ-20-15-P-A	156774	ADVULQ-20-15-A-P-A
		20	156689	ADVULQ-20-20-P-A	156775	ADVULQ-20-20-A-P-A
		25	156690	ADVULQ-20-25-P-A	156776	ADVULQ-20-25-A-P-A
		30	156691	ADVULQ-20-30-P-A	156777	ADVULQ-20-30-A-P-A
		40	156692	ADVULQ-20-40-P-A	156778	ADVULQ-20-40-A-P-A
		50	156693	ADVULQ-20-50-P-A	156779	ADVULQ-20-50-A-P-A
	25	5	156694	ADVULQ-25-5-P-A	156780	ADVULQ-25-5-A-P-A
		10	156695	ADVULQ-25-10-P-A	156781	ADVULQ-25-10-A-P-A
		15	156696	ADVULQ-25-15-P-A	156782	ADVULQ-25-15-A-P-A
		20	156697	ADVULQ-25-20-P-A	156783	ADVULQ-25-20-A-P-A
		25	156698	ADVULQ-25-25-P-A	156784	ADVULQ-25-25-A-P-A
		30	156699	ADVULQ-25-30-P-A	156785	ADVULQ-25-30-A-P-A
40		156700	ADVULQ-25-40-P-A	156786	ADVULQ-25-40-A-P-A	
50		156701	ADVULQ-25-50-P-A	156787	ADVULQ-25-50-A-P-A	
32	5	156702	ADVULQ-32-5-P-A	156788	ADVULQ-32-5-A-P-A	
	10	156703	ADVULQ-32-10-P-A	156789	ADVULQ-32-10-A-P-A	
	15	156704	ADVULQ-32-15-P-A	156790	ADVULQ-32-15-A-P-A	
	20	156705	ADVULQ-32-20-P-A	156791	ADVULQ-32-20-A-P-A	
	25	156706	ADVULQ-32-25-P-A	156792	ADVULQ-32-25-A-P-A	
	30	156707	ADVULQ-32-30-P-A	156793	ADVULQ-32-30-A-P-A	
	40	156708	ADVULQ-32-40-P-A	156794	ADVULQ-32-40-A-P-A	
	50	156709	ADVULQ-32-50-P-A	156795	ADVULQ-32-50-A-P-A	
	60	156710	ADVULQ-32-60-P-A	156796	ADVULQ-32-60-A-P-A	
	80	156711	ADVULQ-32-80-P-A	156797	ADVULQ-32-80-A-P-A	




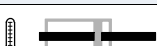
Compact cylinders ADVULQ

Technical data – Double-acting, non-rotating with square piston rod

Ordering data – Basic version							
Type	Piston Ø [mm]	Stroke [mm]	Piston rod with female thread		Piston rod with male thread		
			Part No.	Type	Part No.	Type	
	40	5	156712	ADVULQ-40-5-P-A	156798	ADVULQ-40-5-A-P-A	
		10	156713	ADVULQ-40-10-P-A	156799	ADVULQ-40-10-A-P-A	
		15	156714	ADVULQ-40-15-P-A	156800	ADVULQ-40-15-A-P-A	
		20	156715	ADVULQ-40-20-P-A	156801	ADVULQ-40-20-A-P-A	
		25	156716	ADVULQ-40-25-P-A	156802	ADVULQ-40-25-A-P-A	
		30	156717	ADVULQ-40-30-P-A	156803	ADVULQ-40-30-A-P-A	
		40	156718	ADVULQ-40-40-P-A	156804	ADVULQ-40-40-A-P-A	
		50	156719	ADVULQ-40-50-P-A	156805	ADVULQ-40-50-A-P-A	
		60	156720	ADVULQ-40-60-P-A	156806	ADVULQ-40-60-A-P-A	
	80	156721	ADVULQ-40-80-P-A	156807	ADVULQ-40-80-A-P-A		
	50	50	10	156722	ADVULQ-50-10-P-A	156808	ADVULQ-50-10-A-P-A
			15	156723	ADVULQ-50-15-P-A	156809	ADVULQ-50-15-A-P-A
			20	156724	ADVULQ-50-20-P-A	156810	ADVULQ-50-20-A-P-A
			25	156725	ADVULQ-50-25-P-A	156811	ADVULQ-50-25-A-P-A
			30	156726	ADVULQ-50-30-P-A	156812	ADVULQ-50-30-A-P-A
			40	156727	ADVULQ-50-40-P-A	156813	ADVULQ-50-40-A-P-A
			50	156728	ADVULQ-50-50-P-A	156814	ADVULQ-50-50-A-P-A
			60	156729	ADVULQ-50-60-P-A	156815	ADVULQ-50-60-A-P-A
			80	156730	ADVULQ-50-80-P-A	156816	ADVULQ-50-80-A-P-A
	63	63	10	156731	ADVULQ-63-10-P-A	156817	ADVULQ-63-10-A-P-A
			15	156732	ADVULQ-63-15-P-A	156818	ADVULQ-63-15-A-P-A
			20	156733	ADVULQ-63-20-P-A	156819	ADVULQ-63-20-A-P-A
			25	156734	ADVULQ-63-25-P-A	156820	ADVULQ-63-25-A-P-A
			30	156735	ADVULQ-63-30-P-A	156821	ADVULQ-63-30-A-P-A
			40	156736	ADVULQ-63-40-P-A	156822	ADVULQ-63-40-A-P-A
			50	156737	ADVULQ-63-50-P-A	156823	ADVULQ-63-50-A-P-A
			60	156738	ADVULQ-63-60-P-A	156824	ADVULQ-63-60-A-P-A
			80	156739	ADVULQ-63-80-P-A	156825	ADVULQ-63-80-A-P-A
	80	80	10	156740	ADVULQ-80-10-P-A	156826	ADVULQ-80-10-A-P-A
			15	156741	ADVULQ-80-15-P-A	156827	ADVULQ-80-15-A-P-A
			20	156742	ADVULQ-80-20-P-A	156828	ADVULQ-80-20-A-P-A
			25	156743	ADVULQ-80-25-P-A	156829	ADVULQ-80-25-A-P-A
			30	156744	ADVULQ-80-30-P-A	156830	ADVULQ-80-30-A-P-A
			40	156745	ADVULQ-80-40-P-A	156831	ADVULQ-80-40-A-P-A
			50	156746	ADVULQ-80-50-P-A	156832	ADVULQ-80-50-A-P-A
			60	156747	ADVULQ-80-60-P-A	156833	ADVULQ-80-60-A-P-A
80			156748	ADVULQ-80-80-P-A	156834	ADVULQ-80-80-A-P-A	
100	100	10	156749	ADVULQ-100-10-P-A	156835	ADVULQ-100-10-A-P-A	
		15	156750	ADVULQ-100-15-P-A	156836	ADVULQ-100-15-A-P-A	
		20	156751	ADVULQ-100-20-P-A	156837	ADVULQ-100-20-A-P-A	
		25	156752	ADVULQ-100-25-P-A	156838	ADVULQ-100-25-A-P-A	
		30	156753	ADVULQ-100-30-P-A	156839	ADVULQ-100-30-A-P-A	
		40	156754	ADVULQ-100-40-P-A	156840	ADVULQ-100-40-A-P-A	
		50	156755	ADVULQ-100-50-P-A	156841	ADVULQ-100-50-A-P-A	
		60	156756	ADVULQ-100-60-P-A	156842	ADVULQ-100-60-A-P-A	
		80	156757	ADVULQ-100-80-P-A	156843	ADVULQ-100-80-A-P-A	



Compact cylinders ADVULQ

Technical data – Double-acting, non-rotating with square piston rod

Ordering data – Variants						
Type	Piston Ø [mm]	Stroke [mm]	Piston rod with female thread		Piston rod with male thread	
			Part No.	Type	Part No.	Type
Variable stroke						
	12	1 ... 200	156100	ADVULQ-12-...-P-A	156140	ADVULQ-12-...-A-P-A
	16	1 ... 200	156101	ADVULQ-16-...-P-A	156141	ADVULQ-16-...-A-P-A
	20	1 ... 200	156102	ADVULQ-20-...-P-A	156142	ADVULQ-20-...-A-P-A
	25	1 ... 200	156103	ADVULQ-25-...-P-A	156143	ADVULQ-25-...-A-P-A
	32	1 ... 300	156104	ADVULQ-32-...-P-A	156144	ADVULQ-32-...-A-P-A
	40	1 ... 300	156105	ADVULQ-40-...-P-A	156145	ADVULQ-40-...-A-P-A
	50	1 ... 300	156106	ADVULQ-50-...-P-A	156146	ADVULQ-50-...-A-P-A
	63	1 ... 300	156107	ADVULQ-63-...-P-A	156147	ADVULQ-63-...-A-P-A
	80	1 ... 400	156108	ADVULQ-80-...-P-A	156148	ADVULQ-80-...-A-P-A
	100	1 ... 400	156109	ADVULQ-100-...-P-A	156149	ADVULQ-100-...-A-P-A
S2 – Through piston rod						
	12	1 ... 200	156110	ADVULQ-12-...-P-A-S2	156150	ADVULQ-12-...-A-P-A-S2
	16	1 ... 200	156111	ADVULQ-16-...-P-A-S2	156151	ADVULQ-16-...-A-P-A-S2
	20	1 ... 200	156112	ADVULQ-20-...-P-A-S2	156152	ADVULQ-20-...-A-P-A-S2
	25	1 ... 200	156113	ADVULQ-25-...-P-A-S2	156153	ADVULQ-25-...-A-P-A-S2
	32	1 ... 300	156114	ADVULQ-32-...-P-A-S2	156154	ADVULQ-32-...-A-P-A-S2
	40	1 ... 300	156115	ADVULQ-40-...-P-A-S2	156155	ADVULQ-40-...-A-P-A-S2
	50	1 ... 300	156116	ADVULQ-50-...-P-A-S2	156156	ADVULQ-50-...-A-P-A-S2
	63	1 ... 300	156117	ADVULQ-63-...-P-A-S2	156157	ADVULQ-63-...-A-P-A-S2
	80	1 ... 400	156118	ADVULQ-80-...-P-A-S2	156158	ADVULQ-80-...-A-P-A-S2
	100	1 ... 400	156119	ADVULQ-100-...-P-A-S2	156159	ADVULQ-100-...-A-P-A-S2
S6 – Heat resistant up to 120 °C						
	12	1 ... 200	156130	ADVULQ-12-...-P-A-S6	156190	ADVULQ-12-...-A-P-A-S6
	16	1 ... 200	156131	ADVULQ-16-...-P-A-S6	156191	ADVULQ-16-...-A-P-A-S6
	20	1 ... 200	156132	ADVULQ-20-...-P-A-S6	156192	ADVULQ-20-...-A-P-A-S6
	25	1 ... 200	156133	ADVULQ-25-...-P-A-S6	156193	ADVULQ-25-...-A-P-A-S6
	32	1 ... 300	156134	ADVULQ-32-...-P-A-S6	156194	ADVULQ-32-...-A-P-A-S6
	40	1 ... 300	156135	ADVULQ-40-...-P-A-S6	156195	ADVULQ-40-...-A-P-A-S6
	50	1 ... 300	156136	ADVULQ-50-...-P-A-S6	156196	ADVULQ-50-...-A-P-A-S6
	63	1 ... 300	156137	ADVULQ-63-...-P-A-S6	156197	ADVULQ-63-...-A-P-A-S6
	80	1 ... 400	156138	ADVULQ-80-...-P-A-S6	156198	ADVULQ-80-...-A-P-A-S6
	100	1 ... 400	156139	ADVULQ-100-...-P-A-S6	156199	ADVULQ-100-...-A-P-A-S6
S26 – Through piston rod, heat resistant up to 120 °C						
	12	1 ... 200	156120	ADVULQ-12-...-P-A-S26	156180	ADVULQ-12-...-A-P-A-S26
	16	1 ... 200	156121	ADVULQ-16-...-P-A-S26	156181	ADVULQ-16-...-A-P-A-S26
	20	1 ... 200	156122	ADVULQ-20-...-P-A-S26	156182	ADVULQ-20-...-A-P-A-S26
	25	1 ... 200	156123	ADVULQ-25-...-P-A-S26	156183	ADVULQ-25-...-A-P-A-S26
	32	1 ... 300	156124	ADVULQ-32-...-P-A-S26	156184	ADVULQ-32-...-A-P-A-S26
	40	1 ... 300	156125	ADVULQ-40-...-P-A-S26	156185	ADVULQ-40-...-A-P-A-S26
	50	1 ... 300	156126	ADVULQ-50-...-P-A-S26	156186	ADVULQ-50-...-A-P-A-S26
	63	1 ... 300	156127	ADVULQ-63-...-P-A-S26	156187	ADVULQ-63-...-A-P-A-S26
	80	1 ... 400	156128	ADVULQ-80-...-P-A-S26	156188	ADVULQ-80-...-A-P-A-S26
	100	1 ... 400	156129	ADVULQ-100-...-P-A-S26	156189	ADVULQ-100-...-A-P-A-S26

Compact cylinders ADVULQ

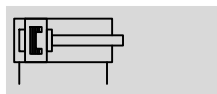
Technical data – Double-acting, non-rotating with square piston rod

Ordering data – Variants						
Type	Piston Ø [mm]	Stroke [mm]	Piston rod with female thread		Piston rod with male thread	
			Part No.	Type	Part No.	Type
S20 – Through, hollow piston rod						
	16	1 ... 200	-		156161	ADVULQ-16-...-A-P-A-S20
	20	1 ... 200			156162	ADVULQ-20-...-A-P-A-S20
	25	1 ... 200			156163	ADVULQ-25-...-A-P-A-S20
	32	1 ... 300			156164	ADVULQ-32-...-A-P-A-S20
	40	1 ... 300			156165	ADVULQ-40-...-A-P-A-S20
	50	1 ... 300			156166	ADVULQ-50-...-A-P-A-S20
	63	1 ... 300			156167	ADVULQ-63-...-A-P-A-S20
	80	1 ... 400			156168	ADVULQ-80-...-A-P-A-S20
	100	1 ... 400			156169	ADVULQ-100-...-A-P-A-S20
S206 – Through, hollow piston rod, heat resistant up to 120 °C						
	16	1 ... 200	-		156171	ADVULQ-16-...-A-P-A-S206
	20	1 ... 200			156172	ADVULQ-20-...-A-P-A-S206
	25	1 ... 200			156173	ADVULQ-25-...-A-P-A-S206
	32	1 ... 300			156174	ADVULQ-32-...-A-P-A-S206
	40	1 ... 300			156175	ADVULQ-40-...-A-P-A-S206
	50	1 ... 300			156176	ADVULQ-50-...-A-P-A-S206
	63	1 ... 300			156177	ADVULQ-63-...-A-P-A-S206
	80	1 ... 400			156178	ADVULQ-80-...-A-P-A-S206
	100	1 ... 400			156179	ADVULQ-100-...-A-P-A-S206

Compact cylinders ADVU-...-S1

Technical data – Double-acting, reinforced piston rod

Function



- \varnothing - Diameter
25, 40, 63, 100 mm

- | - Stroke length
1 ... 2000 mm

-  - www.festo.com



ADVU-...-P-A-S1

General technical data				
Piston \varnothing	25	40	63	100
Pneumatic connection	M5	M5	G1/8	G1/4
End of piston rod Female thread	M5	M8	M10	M12
Operating medium	Compressed air in accordance with ISO 8573-1:2010 [7:4:4]			
Note on operating/pilot medium	Operation with lubricated medium possible (in which case lubricated operation will always be required)			
Constructional design	Piston			
	Piston rod			
Cushioning	Flexible cushioning rings/plates at both ends			
Position sensing	For proximity sensing			
Type of mounting	Via through-holes			
	Via female thread			
	Via accessories			
Mounting position	Any			

- | - Note: This product conforms to ISO 1179-1 and to ISO 228-1

Operating conditions				
Piston \varnothing	25	40	63	100
Operating pressure [bar]	0.8 ... 10	0.8 ... 10	0.6 ... 10	0.6 ... 10
Ambient temperature [°C]	-20 ... +80 (observe operating range of proximity sensors)			
Corrosion resistance class CRC ¹⁾	2			

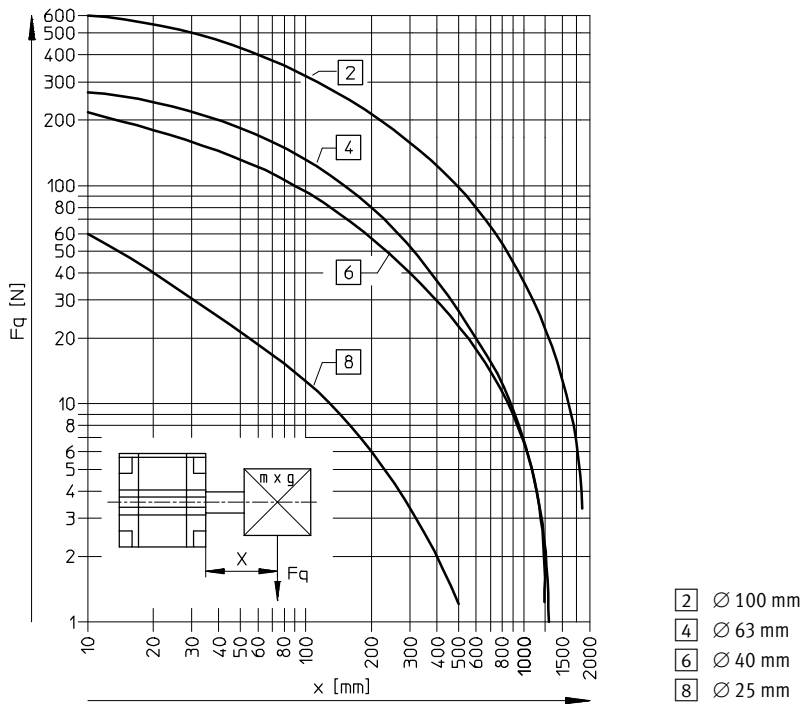
1) Corrosion resistance class CRC 2 to Festo standard FN 940070
Moderate corrosion stress. Indoor applications in which condensation may occur. External visible parts with primarily decorative requirements for the surface and which are in direct contact with the ambient atmosphere typical for industrial applications.

Forces [N] and impact energy [J]				
Piston \varnothing	25	40	63	100
Theoretical force at 6 bar, advancing	295	754	1870	4712
Theoretical force at 6 bar, retracting	247	633	1682	4418
Max. impact energy at end positions	0.30	0.52	0.70	1.00

Compact cylinders ADVU-...-S1

Technical data – Double-acting, reinforced piston rod

Max. lateral force F_q as a function of the projection x

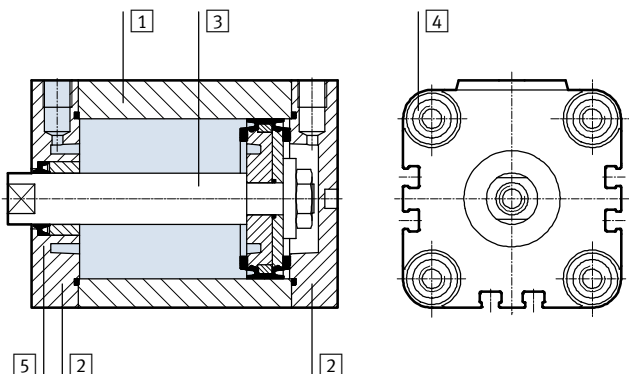


Weights [g]

Piston Ø	25	40	63	100
Product weight with 0 mm stroke	250	550	800	3500
Additional weight per 10 mm stroke	36	74	140	200
Moving load with 0 mm stroke	26	63	134	614
Additional load per 10 mm stroke	6	16	25	38

Materials

Sectional view



Compact cylinder

1	Cylinder barrel	Wrought aluminium alloy
2	End cap	Wrought aluminium alloy
3	Piston rod	High-alloy stainless steel
	Ø 25	High-alloy steel
	Ø 40, 63, 100	
4	Flange screws	Galvanised steel
5	Dynamic seals	Polyurethane

Compact cylinders ADVU-...-S1

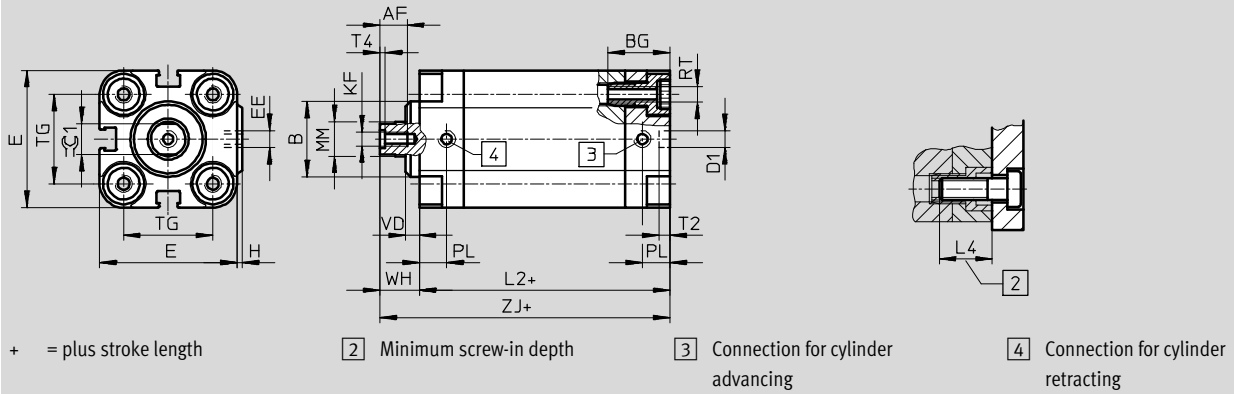
Technical data – Double-acting, reinforced piston rod



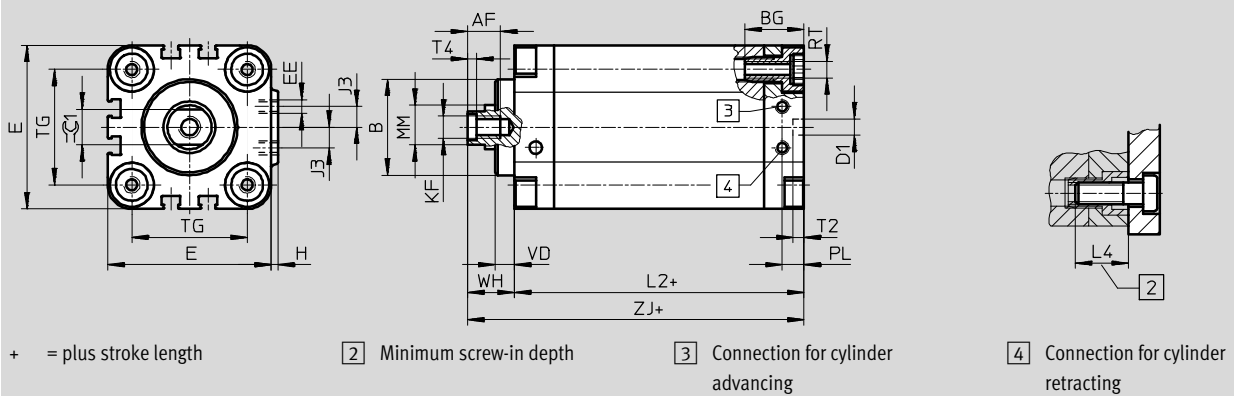
Dimensions – Basic cylinder

Download CAD data → www.festo.com

Piston Ø 25 mm



Piston Ø 40, 63, 100 mm



Ø	AF	B Ø	BG	D1 Ø H9	E	EE	H	J3	KF	L2	L4
[mm]											
25	10	22	18.5	6	40	M5	1.5	–	M5	45.5	18
40	12	35	21.5	6	60	M5	2.5	7.5	M8	52.5	20
63	16	42	24.5	8	87	G1/8	4	10.5	M10	58	25
100	20	55	32.5	8	128	G1/4	5	14.5	M12	77.5	25

Ø	MM Ø	PL	RT	T2	T4	TG	VD	WH	ZJ	≈C1
[mm]				–0.2						h13
25	10	8	M5	4	2	26	4	11.5	57	9
40	16	8	M6	4	3.3	42	7	16.5	69	13
63	20	8	M10	4	4.7	62	11.5	21.5	79.5	17
100	25	10.5	M10	4	6.1	103	15	27	104.5	22

– Note: This product conforms to ISO 1179-1 and to ISO 228-1

Ordering data

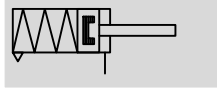
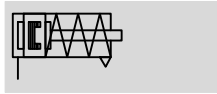
Type	Piston Ø [mm]	Stroke [mm]	Part No.	Type
	25	1 ... 500	161155	ADVU-25-...-P-A-S1
	40	1 ... 2000	161156	ADVU-40-...-P-A-S1
	63	1 ... 2000	161157	ADVU-63-...-P-A-S1
	100	1 ... 2000	161158	ADVU-100-...-P-A-S1

Compact cylinders AEVU/AEVUZ

Technical data – Single-acting, basic version



Function



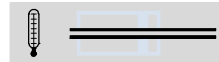
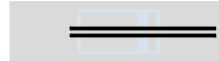
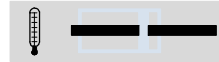
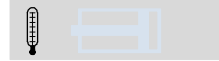
⌀ - Diameter
12 ... 100

- | - Stroke length
1 ... 25

www.festo.com

Wearing parts kits
→ page 45

Variants



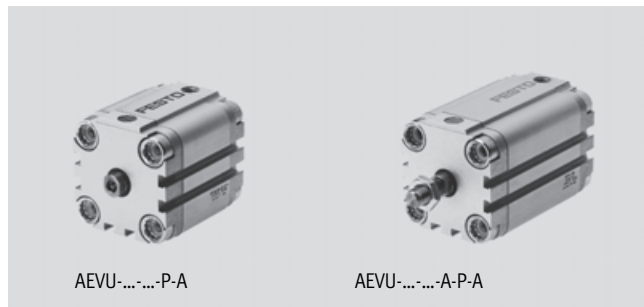
S2

S6

S26

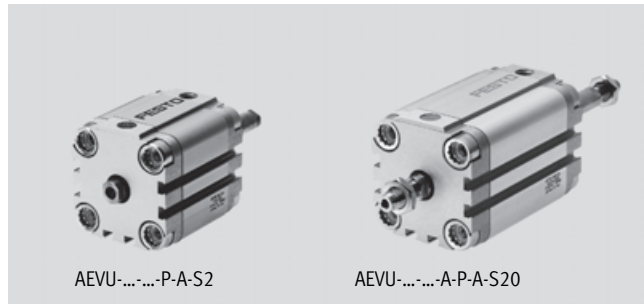
S20

S206



AEUU-...-P-A

AEUU-...-A-P-A



AEUU-...-P-A-S2

AEUU-...-A-P-A-S20

General technical data											
Piston Ø	12	16	20	25	32	40	50	63	80	100	
Pneumatic connection	M5	M5	M5	M5	G1/8	G1/8	G1/8	G1/8	G1/8	G1/4	
End of piston rod	Female thread	M3	M4	M5	M5	M6	M6	M8	M8	M10	M12
	Male thread	M6	M8	M10x1.25			M12x1.25		M16x1.5	M20x1.5	
Operating medium	Compressed air in accordance with ISO 8573-1:2010 [7:4:4]										
Note on operating/pilot medium	Operation with lubricated medium possible (in which case lubricated operation will always be required)										
Constructional design	Piston										
	Piston rod										
Cushioning	Flexible cushioning rings/plates at both ends										
Position sensing	For proximity sensing										
Type of mounting	Via through-holes										
	Via female thread										
	Via accessories										
Mounting position	Any										

⚡ - Note: This product conforms to ISO 1179-1 and to ISO 228-1

Operating pressure [bar]											
Piston Ø	12	16	20	25	32	40	50	63	80	100	
Pushing variant AEUU											
Piston rod at one end	1.5 ... 10	1.3 ... 10	1.0 ... 10		0.8 ... 10			0.6 ... 10			
Through piston rod S2/S20	1.7 ... 10	1.5 ... 10	1.4 ... 10		1.2 ... 10			1.0 ... 10			
Pulling variant AEUUZ											
Piston rod at one end	1.5 ... 10	1.3 ... 10	1.0 ... 10		0.8 ... 10						

Compact cylinders AEU/AEUVZ

Technical data – Single-acting, basic version

Ambient conditions		
Compact cylinder	Basic version	S6
Ambient temperature ¹⁾ [°C]	-20 ... +80	0 ... +120
Corrosion resistance class CRC ²⁾	2	2

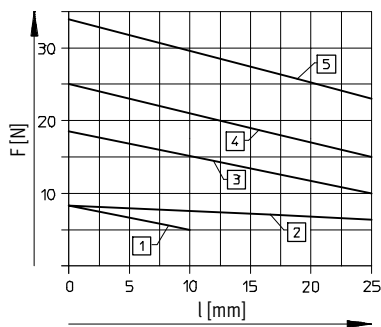
1) Note operating range of proximity sensors

2) Corrosion resistance class CRC 2 to Festo standard FN 940070

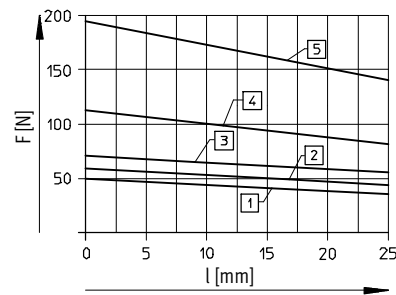
Moderate corrosion stress. Indoor applications in which condensation may occur. External visible parts with primarily decorative requirements for the surface and which are in direct contact with the ambient atmosphere typical for industrial applications.

Forces [N]											
Piston Ø	12	16	20	25	32	40	50	63	80	100	
Pushing variant AEUU											
Theoretical force at 6 bar, advancing	59	111	171	269	450	704	1121	1799	2902	4516	
S2/S20	42	81	123	221	382	636	999	1679	2733	4222	
Pulling variant AEUVZ											
Theoretical force at 6 bar, advancing	42	81	123	221	382	636	999	1679	2733	4222	

Spring return force F as a function of the stroke l



- 1) AEU/AEUVZ-12
- 2) AEU/AEUVZ-16
- 3) AEU/AEUVZ-20
- 4) AEU/AEUVZ-25
- 5) AEU/AEUVZ-32



- 1) AEU/AEUVZ-40
- 2) AEU/AEUVZ-50
- 3) AEU/AEUVZ-63
- 4) AEU/AEUVZ-80
- 5) AEU/AEUVZ-100

Weights [g]											
Piston Ø	12	16	20	25	32	40	50	63	80	100	
Product weight with 0 mm stroke	87	89	149	180	300	433	560	1059	1772	2797	
Additional weight per 10 mm stroke	15	15	23	28	40	59	72	107	168	177	
Moving load with 0 mm stroke											
Additional load per 10 mm stroke	8	12	20	26	49	63	112	134	307	614	
Additional load per 10 mm stroke	2	4	6	6	9	9	16	16	25	38	

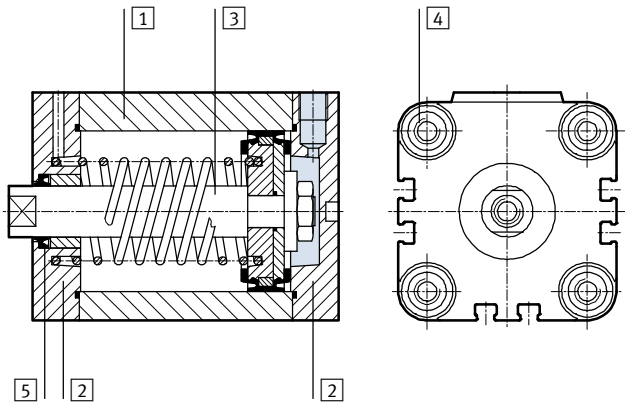
Compact cylinders AEVU/AEVUZ

Technical data – Single-acting, basic version



Materials

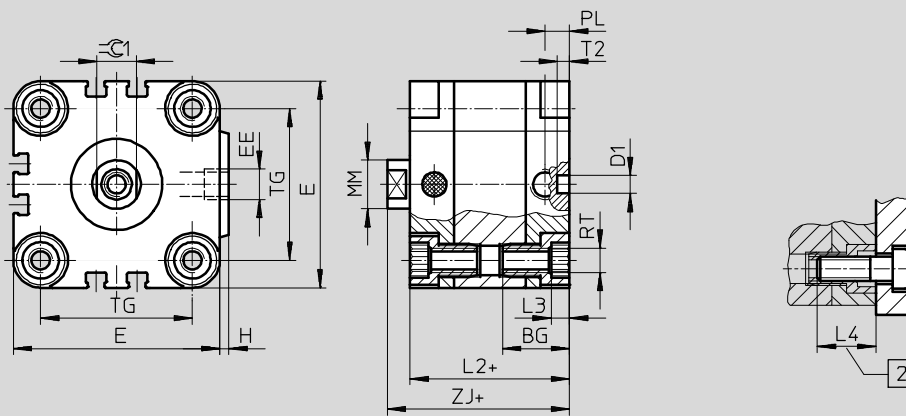
Sectional view



Compact cylinder	Basic version	S6
1 Cylinder barrel	Wrought aluminium alloy	Wrought aluminium alloy
2 End cap	Wrought aluminium alloy	Wrought aluminium alloy
3 Piston rod	High-alloy stainless steel High-alloy steel	High-alloy stainless steel High-alloy steel
4 Flange screws	High-alloy stainless steel Galvanised steel	High-alloy stainless steel Galvanised steel
5 Dynamic seals	Polyurethane	Fluorocarbon rubber

Dimensions – Basic cylinder

Download CAD data → www.festo.com



Note
 To attach cylinder \varnothing 12 and 16 mm from above, use only 2 screws diagonally or non-magnetic screws.
 + = plus stroke length

2 Minimum screw-in depth

\varnothing [mm]	BG	D1 \varnothing H9	E	EE	H	L2	L3	L4	MM \varnothing	PL	RT	T2	TG	ZJ	\approx C1 h13
12	18.5	6	29	M5	1	38	3	16	6	8	M4	4	18	42.5	5
16	18.5	6	29	M5	1	38	3	16	8	8	M4	4	18	42.5	7
20	18.5	6	36	M5	1.5	38	4	18	10	8	M5	4	22	42.5	9
25	18.5	6	40	M5	1.5	39.5	4	18	10	8	M5	4	26	45	9
32	21.5	6	50	G1/8	2	44.5	5	20	12	8	M6	4	32	50.5	10
40	21.5	6	60	G1/8	2.5	45.5	5	20	12	8	M6	4	42	52	10
50	22	6	68	G1/8	3	45.5	6	20	16	8	M8	4	50	53	13
63	24.5	8	87	G1/8	4	50	8	25	16	8	M10	4	62	57.5	13
80	27.5	8	107	G1/8	4	56	8	25	20	8.5	M10	4	82	64	17
100	32.5	8	128	G1/4	5	66.5	8	25	25	10.5	M10	4	103	76.5	22

Note: This product conforms to ISO 1179-1 and to ISO 228-1

Compact cylinders AEU/AEUVZ

Technical data – Single-acting, basic version

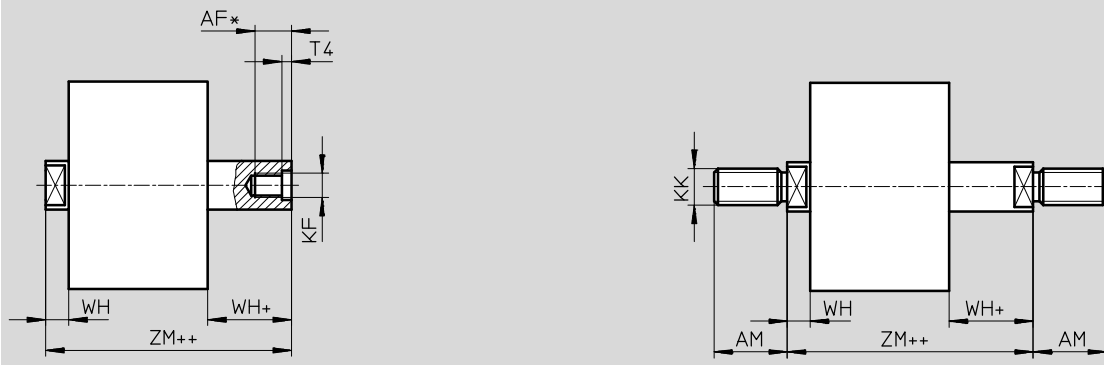
Dimensions – Pushing variants, AEU

Download CAD data → www.festo.com

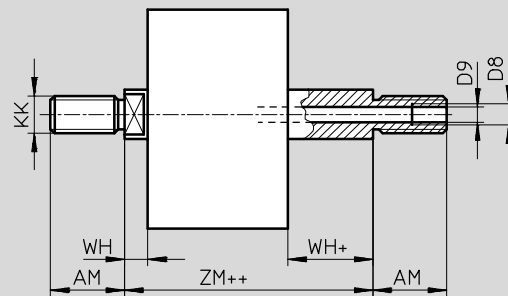
Basic version



S2 – Through piston rod



S20 – Through, hollow piston rod



+ = plus stroke length
++ = plus 2x stroke length

∅ [mm]	AF	AM	D8	D9 ∅	KF	KK	T4	WH	ZJ	ZM
12	8	16	–	2.3	M3	M6	1.5	4.5	42.5	47
16	10	20	–	3.2	M4	M8	1.5	4.5	42.5	47
20 ²⁾	12	22	–	3.8	M5	M10x1.25	2	4.5	42.5	47
25 ²⁾	12	22	–	3.8	M5	M10x1.25	2	5.5	45	50.5
32 ²⁾	14	22	–	4.5	M6	M10x1.25	2.6	6	50.5	56.5
40 ²⁾	14	22	–	4.5	M6	M10x1.25	2.6	6.5	52	58.5
50 ²⁾	16	24	–	6	M8	M12x1.25	3.3	7.5	53	60.5
63 ²⁾	16	24	–	6	M8	M12x1.25	3.3	7.5	57.5	65
80 ²⁾	20 ¹⁾	32	G1/8	8	M10	M16x1.5	4.7	8	64	72
100 ²⁾	24 ¹⁾	40	G1/4	11.7	M12	M20x1.5	6.1	10	76.5	86.5

1) With a stroke < 5 mm, the maximum screw-in depth is reduced by 5 mm
2) Nut for piston rod thread included in scope of delivery

Compact cylinders AEVU/AEVUZ

Technical data – Single-acting, basic version

Dimensions – Pulling variants, AEVUZ

Download CAD data → www.festo.com



+ = plus stroke length
 ++ = plus 2x stroke length

∅ [mm]	AF	AM	KF	KK	T4	WH	ZJ
12	8	16	M3	M6	1.5	4.5	42.5
16	10	20	M4	M8	1.5	4.5	42.5
20 ¹⁾	12	22	M5	M10x1.25	2	4.5	42.5
25 ¹⁾	12	22	M5	M10x1.25	2	5.5	45
32 ¹⁾	14	22	M6	M10x1.25	2.6	6	50.5
40 ¹⁾	14	22	M6	M10x1.25	2.6	6.5	52
50 ¹⁾	16	24	M8	M12x1.25	3.3	7.5	53
63 ¹⁾	16	24	M8	M12x1.25	3.3	7.5	57.5
80 ¹⁾	20	32	M10	M16x1.5	4.7	8	64
100 ¹⁾	24	40	M12	M20x1.5	6.1	10	76.5

1) Nut for piston rod thread included in scope of delivery

Compact cylinders AEVU/AEVUZ





Technical data – Single-acting, basic version

Ordering data – Pushing variants, basic version, AEVU						
Type	Piston Ø [mm]	Stroke [mm]	Piston rod with female thread		Piston rod with male thread	
			Part No.	Type	Part No.	Type
	12	5	156930	AEVU-12-5-P-A	156976	AEVU-12-5-A-P-A
		10	156931	AEVU-12-10-P-A	156977	AEVU-12-10-A-P-A
	16	5	156935	AEVU-16-5-P-A	156981	AEVU-16-5-A-P-A
		10	156936	AEVU-16-10-P-A	156982	AEVU-16-10-A-P-A
		15	156937	AEVU-16-15-P-A	156983	AEVU-16-15-A-P-A
		20	156938	AEVU-16-20-P-A	156984	AEVU-16-20-A-P-A
		25	156939	AEVU-16-25-P-A	156985	AEVU-16-25-A-P-A
	20	5	156940	AEVU-20-5-P-A	156986	AEVU-20-5-A-P-A
		10	156941	AEVU-20-10-P-A	156987	AEVU-20-10-A-P-A
		15	156942	AEVU-20-15-P-A	156988	AEVU-20-15-A-P-A
		20	156943	AEVU-20-20-P-A	156989	AEVU-20-20-A-P-A
		25	156944	AEVU-20-25-P-A	156990	AEVU-20-25-A-P-A
	25	5	156945	AEVU-25-5-P-A	156991	AEVU-25-5-A-P-A
		10	156946	AEVU-25-10-P-A	156992	AEVU-25-10-A-P-A
		15	156947	AEVU-25-15-P-A	156993	AEVU-25-15-A-P-A
		20	156948	AEVU-25-20-P-A	156994	AEVU-25-20-A-P-A
		25	156949	AEVU-25-25-P-A	156995	AEVU-25-25-A-P-A
	32	5	156950	AEVU-32-5-P-A	156996	AEVU-32-5-A-P-A
		10	156951	AEVU-32-10-P-A	156997	AEVU-32-10-A-P-A
		15	156952	AEVU-32-15-P-A	156998	AEVU-32-15-A-P-A
20		156953	AEVU-32-20-P-A	156999	AEVU-32-20-A-P-A	
25		156954	AEVU-32-25-P-A	157000	AEVU-32-25-A-P-A	
40	5	156955	AEVU-40-5-P-A	157001	AEVU-40-5-A-P-A	
	10	156956	AEVU-40-10-P-A	157002	AEVU-40-10-A-P-A	
	15	156957	AEVU-40-15-P-A	157003	AEVU-40-15-A-P-A	
	20	156958	AEVU-40-20-P-A	157004	AEVU-40-20-A-P-A	
	25	156959	AEVU-40-25-P-A	157005	AEVU-40-25-A-P-A	
50	10	156960	AEVU-50-10-P-A	157006	AEVU-50-10-A-P-A	
	15	156961	AEVU-50-15-P-A	157007	AEVU-50-15-A-P-A	
	20	156962	AEVU-50-20-P-A	157008	AEVU-50-20-A-P-A	
	25	156963	AEVU-50-25-P-A	157009	AEVU-50-25-A-P-A	
63	10	156964	AEVU-63-10-P-A	157010	AEVU-63-10-A-P-A	
	15	156965	AEVU-63-15-P-A	157011	AEVU-63-15-A-P-A	
	20	156966	AEVU-63-20-P-A	157012	AEVU-63-20-A-P-A	
	25	156967	AEVU-63-25-P-A	157013	AEVU-63-25-A-P-A	
80	10	156968	AEVU-80-10-P-A	157014	AEVU-80-10-A-P-A	
	15	156969	AEVU-80-15-P-A	157015	AEVU-80-15-A-P-A	
	20	156970	AEVU-80-20-P-A	157016	AEVU-80-20-A-P-A	
	25	156971	AEVU-80-25-P-A	157017	AEVU-80-25-A-P-A	
100	10	156972	AEVU-100-10-P-A	157018	AEVU-100-10-A-P-A	
	15	156973	AEVU-100-15-P-A	157019	AEVU-100-15-A-P-A	
	20	156974	AEVU-100-20-P-A	157020	AEVU-100-20-A-P-A	
	25	156975	AEVU-100-25-P-A	157021	AEVU-100-25-A-P-A	

Compact cylinders AEU/AEVUZ

Technical data – Single-acting, basic version

FESTO

Ordering data – Pushing variants, AEU						
Type	Piston Ø [mm]	Stroke [mm]	Piston rod with female thread		Piston rod with male thread	
			Part No.	Type	Part No.	Type
Variable stroke						
	12	1 ... 10	156220	AEVU-12-...-P-A	156260	AEVU-12-...-A-P-A
	16	1 ... 25	156221	AEVU-16-...-P-A	156261	AEVU-16-...-A-P-A
	20	1 ... 25	156222	AEVU-20-...-P-A	156262	AEVU-20-...-A-P-A
	25	1 ... 25	156223	AEVU-25-...-P-A	156263	AEVU-25-...-A-P-A
	32	1 ... 25	156224	AEVU-32-...-P-A	156264	AEVU-32-...-A-P-A
	40	1 ... 25	156225	AEVU-40-...-P-A	156265	AEVU-40-...-A-P-A
	50	1 ... 25	156226	AEVU-50-...-P-A	156266	AEVU-50-...-A-P-A
	63	1 ... 25	156227	AEVU-63-...-P-A	156267	AEVU-63-...-A-P-A
	80	1 ... 25	156228	AEVU-80-...-P-A	156268	AEVU-80-...-A-P-A
	100	1 ... 25	156229	AEVU-100-...-P-A	156269	AEVU-100-...-A-P-A
S2 – Through piston rod						
	12	1 ... 10	156230	AEVU-12-...-P-A-S2	156270	AEVU-12-...-A-P-A-S2
	16	1 ... 25	156231	AEVU-16-...-P-A-S2	156271	AEVU-16-...-A-P-A-S2
	20	1 ... 25	156232	AEVU-20-...-P-A-S2	156272	AEVU-20-...-A-P-A-S2
	25	1 ... 25	156233	AEVU-25-...-P-A-S2	156273	AEVU-25-...-A-P-A-S2
	32	1 ... 25	156234	AEVU-32-...-P-A-S2	156274	AEVU-32-...-A-P-A-S2
	40	1 ... 25	156235	AEVU-40-...-P-A-S2	156275	AEVU-40-...-A-P-A-S2
	50	1 ... 25	156236	AEVU-50-...-P-A-S2	156276	AEVU-50-...-A-P-A-S2
	63	1 ... 25	156237	AEVU-63-...-P-A-S2	156277	AEVU-63-...-A-P-A-S2
	80	1 ... 25	156238	AEVU-80-...-P-A-S2	156278	AEVU-80-...-A-P-A-S2
	100	1 ... 25	156239	AEVU-100-...-P-A-S2	156279	AEVU-100-...-A-P-A-S2
S6 – Heat resistant up to 120 °C						
	12	1 ... 10	156250	AEVU-12-...-P-A-S6	156310	AEVU-12-...-A-P-A-S6
	16	1 ... 25	156251	AEVU-16-...-P-A-S6	156311	AEVU-16-...-A-P-A-S6
	20	1 ... 25	156252	AEVU-20-...-P-A-S6	156312	AEVU-20-...-A-P-A-S6
	25	1 ... 25	156253	AEVU-25-...-P-A-S6	156313	AEVU-25-...-A-P-A-S6
	32	1 ... 25	156254	AEVU-32-...-P-A-S6	156314	AEVU-32-...-A-P-A-S6
	40	1 ... 25	156255	AEVU-40-...-P-A-S6	156315	AEVU-40-...-A-P-A-S6
	50	1 ... 25	156256	AEVU-50-...-P-A-S6	156316	AEVU-50-...-A-P-A-S6
	63	1 ... 25	156257	AEVU-63-...-P-A-S6	156317	AEVU-63-...-A-P-A-S6
	80	1 ... 25	156258	AEVU-80-...-P-A-S6	156318	AEVU-80-...-A-P-A-S6
	100	1 ... 25	156259	AEVU-100-...-P-A-S6	156319	AEVU-100-...-A-P-A-S6
S26 – Through piston rod, heat resistant up to 120 °C						
	12	1 ... 10	156240	AEVU-12-...-P-A-S26	156300	AEVU-12-...-A-P-A-S26
	16	1 ... 25	156241	AEVU-16-...-P-A-S26	156301	AEVU-16-...-A-P-A-S26
	20	1 ... 25	156242	AEVU-20-...-P-A-S26	156302	AEVU-20-...-A-P-A-S26
	25	1 ... 25	156243	AEVU-25-...-P-A-S26	156303	AEVU-25-...-A-P-A-S26
	32	1 ... 25	156244	AEVU-32-...-P-A-S26	156304	AEVU-32-...-A-P-A-S26
	40	1 ... 25	156245	AEVU-40-...-P-A-S26	156305	AEVU-40-...-A-P-A-S26
	50	1 ... 25	156246	AEVU-50-...-P-A-S26	156306	AEVU-50-...-A-P-A-S26
	63	1 ... 25	156247	AEVU-63-...-P-A-S26	156307	AEVU-63-...-A-P-A-S26
	80	1 ... 25	156248	AEVU-80-...-P-A-S26	156308	AEVU-80-...-A-P-A-S26
	100	1 ... 25	156249	AEVU-100-...-P-A-S26	156309	AEVU-100-...-A-P-A-S26

Compact cylinders AEU/AEUVZ

Technical data – Single-acting, basic version




Ordering data – Pushing variants, AEUU						
Type	Piston Ø [mm]	Stroke [mm]	Piston rod with female thread		Piston rod with male thread	
			Part No.	Type	Part No.	Type
S20 – Through, hollow piston rod						
	12	1 ... 10	-		156280	AEUU-12-...-A-P-A-S20
	16	1 ... 25	-		156281	AEUU-16-...-A-P-A-S20
	20	1 ... 25	-		156282	AEUU-20-...-A-P-A-S20
	25	1 ... 25	-		156283	AEUU-25-...-A-P-A-S20
	32	1 ... 25	-		156284	AEUU-32-...-A-P-A-S20
	40	1 ... 25	-		156285	AEUU-40-...-A-P-A-S20
	50	1 ... 25	-		156286	AEUU-50-...-A-P-A-S20
	63	1 ... 25	-		156287	AEUU-63-...-A-P-A-S20
	80	1 ... 25	-		156288	AEUU-80-...-A-P-A-S20
	100	1 ... 25	-		156289	AEUU-100-...-A-P-A-S20
S206 – Through, hollow piston rod, heat resistant up to 120 °C						
	12	1 ... 10	-		156290	AEUU-12-...-A-P-A-S206
	16	1 ... 25	-		156291	AEUU-16-...-A-P-A-S206
	20	1 ... 25	-		156292	AEUU-20-...-A-P-A-S206
	25	1 ... 25	-		156293	AEUU-25-...-A-P-A-S206
	32	1 ... 25	-		156294	AEUU-32-...-A-P-A-S206
	40	1 ... 25	-		156295	AEUU-40-...-A-P-A-S206
	50	1 ... 25	-		156296	AEUU-50-...-A-P-A-S206
	63	1 ... 25	-		156297	AEUU-63-...-A-P-A-S206
	80	1 ... 25	-		156298	AEUU-80-...-A-P-A-S206
	100	1 ... 25	-		156299	AEUU-100-...-A-P-A-S206



Ordering data – Pulling variants, basic version, AEUVZ						
Type	Piston Ø [mm]	Stroke [mm]	Piston rod with female thread		Piston rod with male thread	
			Part No.	Type	Part No.	Type
	12	5	157206	AEUVZ-12-5-P-A	157252	AEUVZ-12-5-A-P-A
		10	157207	AEUVZ-12-10-P-A	157253	AEUVZ-12-10-A-P-A
	16	5	157211	AEUVZ-16-5-P-A	157257	AEUVZ-16-5-A-P-A
		10	157212	AEUVZ-16-10-P-A	157258	AEUVZ-16-10-A-P-A
		15	157213	AEUVZ-16-15-P-A	157259	AEUVZ-16-15-A-P-A
		20	157214	AEUVZ-16-20-P-A	157260	AEUVZ-16-20-A-P-A
		25	157215	AEUVZ-16-25-P-A	157261	AEUVZ-16-25-A-P-A
	20	5	157216	AEUVZ-20-5-P-A	157262	AEUVZ-20-5-A-P-A
		10	157217	AEUVZ-20-10-P-A	157263	AEUVZ-20-10-A-P-A
		15	157218	AEUVZ-20-15-P-A	157264	AEUVZ-20-15-A-P-A
		20	157219	AEUVZ-20-20-P-A	157265	AEUVZ-20-20-A-P-A
		25	157220	AEUVZ-20-25-P-A	157266	AEUVZ-20-25-A-P-A
	25	5	157221	AEUVZ-25-5-P-A	157267	AEUVZ-25-5-A-P-A
		10	157222	AEUVZ-25-10-P-A	157268	AEUVZ-25-10-A-P-A
		15	157223	AEUVZ-25-15-P-A	157269	AEUVZ-25-15-A-P-A
		20	157224	AEUVZ-25-20-P-A	157270	AEUVZ-25-20-A-P-A
		25	157225	AEUVZ-25-25-P-A	157271	AEUVZ-25-25-A-P-A
	32	5	157226	AEUVZ-32-5-P-A	157272	AEUVZ-32-5-A-P-A
		10	157227	AEUVZ-32-10-P-A	157273	AEUVZ-32-10-A-P-A
		15	157228	AEUVZ-32-15-P-A	157274	AEUVZ-32-15-A-P-A
20		157229	AEUVZ-32-20-P-A	157275	AEUVZ-32-20-A-P-A	
25		157230	AEUVZ-32-25-P-A	157276	AEUVZ-32-25-A-P-A	

Compact cylinders AEU/AEVUZ

Technical data – Single-acting, basic version

FESTO

Ordering data – Pulling variants, basic version, AEUZ						
Type	Piston Ø [mm]	Stroke [mm]	Piston rod with female thread		Piston rod with male thread	
			Part No.	Type	Part No.	Type
	40	5	157231	AEVUZ-40-5-P-A	157277	AEVUZ-40-5-A-P-A
		10	157232	AEVUZ-40-10-P-A	157278	AEVUZ-40-10-A-P-A
		15	157233	AEVUZ-40-15-P-A	157279	AEVUZ-40-15-A-P-A
		20	157234	AEVUZ-40-20-P-A	157280	AEVUZ-40-20-A-P-A
		25	157235	AEVUZ-40-25-P-A	157281	AEVUZ-40-25-A-P-A
	50	10	157236	AEVUZ-50-10-P-A	157282	AEVUZ-50-10-A-P-A
		15	157237	AEVUZ-50-15-P-A	157283	AEVUZ-50-15-A-P-A
		20	157238	AEVUZ-50-20-P-A	157284	AEVUZ-50-20-A-P-A
		25	157239	AEVUZ-50-25-P-A	157285	AEVUZ-50-25-A-P-A
	63	10	157240	AEVUZ-63-10-P-A	157286	AEVUZ-63-10-A-P-A
		15	157241	AEVUZ-63-15-P-A	157287	AEVUZ-63-15-A-P-A
		20	157242	AEVUZ-63-20-P-A	157288	AEVUZ-63-20-A-P-A
		25	157243	AEVUZ-63-25-P-A	157289	AEVUZ-63-25-A-P-A
	80	10	157244	AEVUZ-80-10-P-A	157290	AEVUZ-80-10-A-P-A
		15	157245	AEVUZ-80-15-P-A	157291	AEVUZ-80-15-A-P-A
		20	157246	AEVUZ-80-20-P-A	157292	AEVUZ-80-20-A-P-A
		25	157247	AEVUZ-80-25-P-A	157293	AEVUZ-80-25-A-P-A
	100	10	157248	AEVUZ-100-10-P-A	157294	AEVUZ-100-10-A-P-A
		15	157249	AEVUZ-100-15-P-A	157295	AEVUZ-100-15-A-P-A
		20	157250	AEVUZ-100-20-P-A	157296	AEVUZ-100-20-A-P-A
25		157251	AEVUZ-100-25-P-A	157297	AEVUZ-100-25-A-P-A	

Ordering data – Pulling variants, AEUZ						
Type	Piston Ø [mm]	Stroke [mm]	Piston rod with female thread		Piston rod with male thread	
			Part No.	Type	Part No.	Type
Variable stroke						
	12	1 ... 10	156460	AEVUZ-12-...-P-A	156480	AEVUZ-12-...-A-P-A
	16	1 ... 25	156461	AEVUZ-16-...-P-A	156481	AEVUZ-16-...-A-P-A
	20	1 ... 25	156462	AEVUZ-20-...-P-A	156482	AEVUZ-20-...-A-P-A
	25	1 ... 25	156463	AEVUZ-25-...-P-A	156483	AEVUZ-25-...-A-P-A
	32	1 ... 25	156464	AEVUZ-32-...-P-A	156484	AEVUZ-32-...-A-P-A
	40	1 ... 25	156465	AEVUZ-40-...-P-A	156485	AEVUZ-40-...-A-P-A
	50	1 ... 25	156466	AEVUZ-50-...-P-A	156486	AEVUZ-50-...-A-P-A
	63	1 ... 25	156467	AEVUZ-63-...-P-A	156487	AEVUZ-63-...-A-P-A
	80	1 ... 25	156468	AEVUZ-80-...-P-A	156488	AEVUZ-80-...-A-P-A
	100	1 ... 25	156469	AEVUZ-100-...-P-A	156489	AEVUZ-100-...-A-P-A
S6 – Heat resistant up to 120 °C						
	12	1 ... 10	156470	AEVUZ-12-...-P-A-S6	156490	AEVUZ-12-...-A-P-A-S6
	16	1 ... 25	156471	AEVUZ-16-...-P-A-S6	156491	AEVUZ-16-...-A-P-A-S6
	20	1 ... 25	156472	AEVUZ-20-...-P-A-S6	156492	AEVUZ-20-...-A-P-A-S6
	25	1 ... 25	156473	AEVUZ-25-...-P-A-S6	156493	AEVUZ-25-...-A-P-A-S6
	32	1 ... 25	156474	AEVUZ-32-...-P-A-S6	156494	AEVUZ-32-...-A-P-A-S6
	40	1 ... 25	156475	AEVUZ-40-...-P-A-S6	156495	AEVUZ-40-...-A-P-A-S6
	50	1 ... 25	156476	AEVUZ-50-...-P-A-S6	156496	AEVUZ-50-...-A-P-A-S6
	63	1 ... 25	156477	AEVUZ-63-...-P-A-S6	156497	AEVUZ-63-...-A-P-A-S6
	80	1 ... 25	156478	AEVUZ-80-...-P-A-S6	156498	AEVUZ-80-...-A-P-A-S6
	100	1 ... 25	156479	AEVUZ-100-...-P-A-S6	156499	AEVUZ-100-...-A-P-A-S6

Compact cylinders AEVU/AEVUZ

Technical data – Single-acting, basic version

Ordering data – Wearing parts kits			
	Part No.	Type	
Piston Ø	Basic version		S6 – Heat resistant up to 120 °C
32	121119	AEVU-32-...-(A)-P-A ¹⁾	383563 AEVU-32-...-(A)-P-A-S6 ¹⁾
40	121120	AEVU-40-...-(A)-P-A ¹⁾	383564 AEVU-40-...-(A)-P-A-S6 ¹⁾
50	121121	AEVU-50-...-(A)-P-A ¹⁾	383565 AEVU-50-...-(A)-P-A-S6 ¹⁾
63	121122	AEVU-63-...-(A)-P-A ¹⁾	383566 AEVU-63-...-(A)-P-A-S6 ¹⁾
80	121123	AEVU-80-...-(A)-P-A ¹⁾	383567 AEVU-80-...-(A)-P-A-S6 ¹⁾
100	121124	AEVU-100-...-(A)-P-A ¹⁾	383568 AEVU-100-...-(A)-P-A-S6 ¹⁾

1) Assembly grease included in scope of delivery

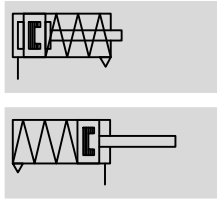
2) Assembly grease not included in scope of delivery. If required, please order separately under part no. 329 555 (20 ml)

Compact cylinders AEVULQ/AEVULQZ

Technical data – Single-acting, non-rotating with square piston rod

FESTO

Function

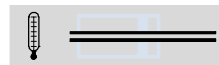
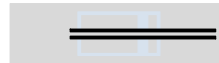


⌀ Diameter
16 ... 100 mm

Stroke length
1 ... 25 mm

www.festo.com

Variants



S2

S6

S26

S20

S206



AEVULQ-...-P-A



AEVULQ-...-P-A-S2

General technical data										
Piston Ø	16	20	25	32	40	50	63	80	100	
Pneumatic connection	M5	M5	M5	G1/8	G1/8	G1/8	G1/8	G1/8	G1/4	
End of piston rod	Female thread	M4	M5	M5	M6	M6	M8	M8	M10	M12
	Male thread	M8	M10x1.25				M12x1.25	M16x1.5	M20x1.5	
Operating medium	Compressed air in accordance with ISO 8573-1:2010 [7:4:4]									
Note on operating/pilot medium	Operation with lubricated medium possible (in which case lubricated operation will always be required)									
Constructional design	Piston									
	Piston rod									
Cushioning	Flexible cushioning rings/plates at both ends									
Position sensing	For proximity sensing									
Type of mounting	Via through-holes									
	Via female thread									
	Via accessories									
Mounting position	Any									

Note: This product conforms to ISO 1179-1 and to ISO 228-1

Operating pressure [bar]									
Piston Ø	16	20	25	32	40	50	63	80	100
Pushing variant AEVULQ									
Piston rod at one end	1.3 ... 10		1.0 ... 10		0.8 ... 10		0.6 ... 10		
Through piston rod S2/S20	1.5 ... 10	1.4 ... 10		1.2 ... 10		1.0 ... 10			
Pulling variant AEVULQZ									
Piston rod at one end	1.3 ... 10	1.0 ... 10		0.8 ... 10					

Ambient conditions		
Compact cylinder	Basic version	S6
Ambient temperature ¹⁾	[°C]	-20 ... +80
Corrosion resistance class CRC ²⁾	2	2

1) Note operating range of proximity sensors

2) Corrosion resistance class CRC 2 to Festo standard FN 940070

Moderate corrosion stress. Indoor applications in which condensation may occur. External visible parts with primarily decorative requirements for the surface and which are in direct contact with the ambient atmosphere typical for industrial applications.

Compact cylinders AEVULQ/AEVULQZ

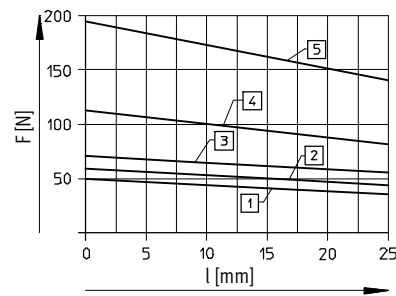
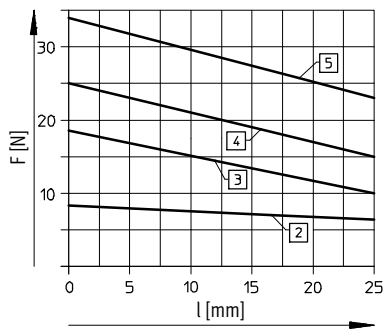
Technical data – Single-acting, non-rotating with square piston rod

Forces [N]									
Piston Ø	16	20	25	32	40	50	63	80	100
Pushing variant AEVULQ									
Theoretical force at 6 bar, advancing	111	171	269	450	704	1121	1799	2902	4516
S2/S20	81	123	221	382	636	999	1679	2733	4222
Pulling variant AEVULQZ									
Theoretical force at 6 bar, advancing	81	123	221	382	636	999	1679	2733	4222

Technical data – Square piston rod									
Piston Ø	16	20	25	32	40	50	63	80	100
Max. torque at the piston rod ¹⁾ [Nm]	0.20	0.45	0.45	0.80	0.80	1.10	1.10	1.50	3.00
Max. torsional backlash of piston rod [°]	±0.9	±0.8	±0.8	±0.6	±0.6	±0.5	±0.5	±0.4	±0.4
Piston rod distortion [°/50 mm]	0.30	0.25	0.25	0.20	0.20	0.15	0.15	0.15	0.09

1) The max. torque must not be exceeded even when fitting attachments

Spring return force F as a function of the stroke l



- 2) AEVULQ/AEVULQZ-16
- 3) AEVULQ/AEVULQZ-20
- 4) AEVULQ/AEVULQZ-25
- 5) AEVULQ/AEVULQZ-32

- 1) AEVULQ/AEVULQZ-40
- 2) AEVULQ/AEVULQZ-50
- 3) AEVULQ/AEVULQZ-63
- 4) AEVULQ/AEVULQZ-80
- 5) AEVULQ/AEVULQZ-100

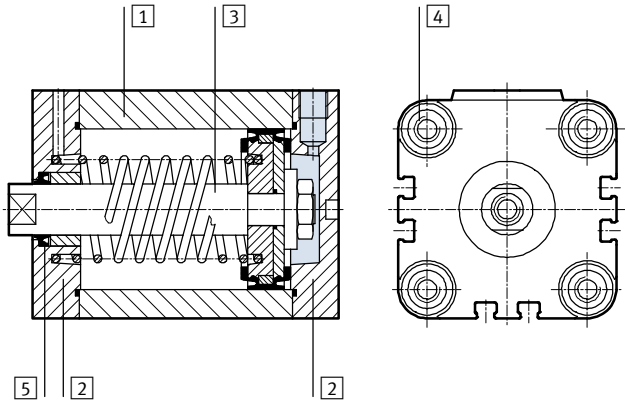
Weights [g]									
Piston Ø	16	20	25	32	40	50	63	80	100
Product weight with 0 mm stroke	89	149	180	300	433	560	1059	1772	2797
Additional weight per 10 mm stroke	15	23	28	40	59	72	107	168	177
Moving load with 0 mm stroke									
Additional load per 10 mm stroke	12	20	26	49	63	112	134	307	614
Additional load per 10 mm stroke	4	6	6	9	9	16	16	25	38

Compact cylinders AEVULQ/AEVULQZ

Technical data – Single-acting, non-rotating with square piston rod

Materials

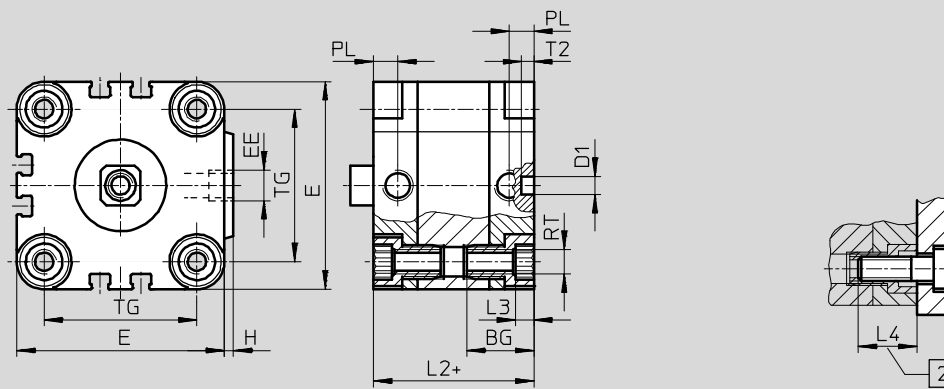
Sectional view



Compact cylinder	Basic version	S6
1 Cylinder barrel	Wrought aluminium alloy	Wrought aluminium alloy
2 End cap	Wrought aluminium alloy	Wrought aluminium alloy
3 Piston rod	∅ 16 ... 32	High-alloy stainless steel
	∅ 40 ... 100	High-alloy steel
4 Flange screws	∅ 16	High-alloy stainless steel
	∅ 20 ... 100	Galvanised steel
5 Dynamic seals	Polyurethane	Fluorocarbon rubber

Dimensions – Basic cylinder

Download CAD data → www.festo.com



- - Note
 To attach cylinder ∅ 16 mm from above, use only 2 screws diagonally or non-magnetic screws.
 + = plus stroke length

2 Minimum screw-in depth

∅	BG	D1 ∅ H9	E	EE	H	L2	L3	L4	PL	RT	T2	TG
[mm]											-0.2	
16	18.5	6	29	M5	1	38	3	16	8	M4	4	18
20	18.5	6	36	M5	1.5	38	4	18	8	M5	4	22
25	18.5	6	40	M5	1.5	39.5	4	18	8	M5	4	26
32	21.5	6	50	G1/8	2	44.5	5	20	8	M6	4	32
40	21.5	6	60	G1/8	2.5	45.5	5	20	8	M6	4	42
50	22	6	68	G1/8	3	45.5	6	20	8	M8	4	50
63	24.5	8	87	G1/8	4	50	8	25	8	M10	4	62
80	27.5	8	107	G1/8	4	56	8	25	8.5	M10	4	82
100	32.5	8	128	G1/4	5	66.5	8	25	10.5	M10	4	103

- - Note: This product conforms to ISO 1179-1 and to ISO 228-1

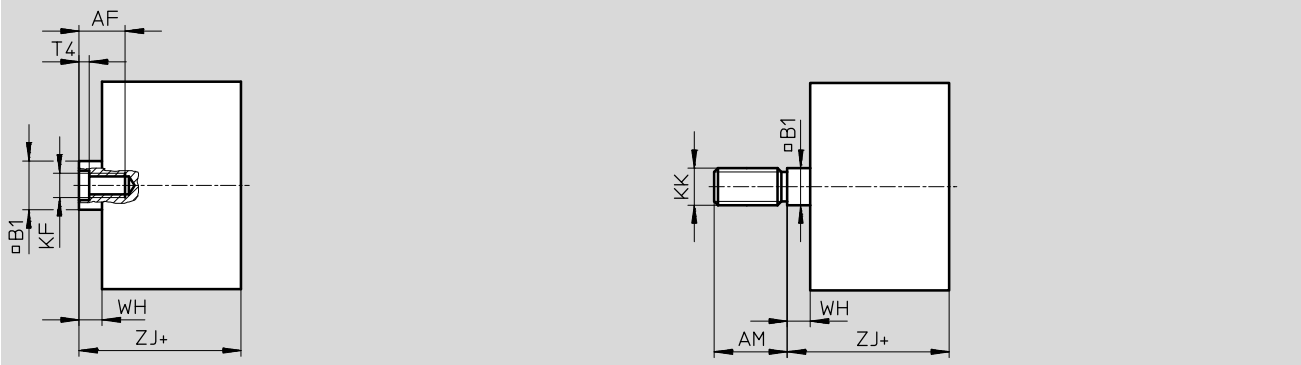
Compact cylinders AEVULQ/AEVULQZ

Technical data – Single-acting, non-rotating with square piston rod

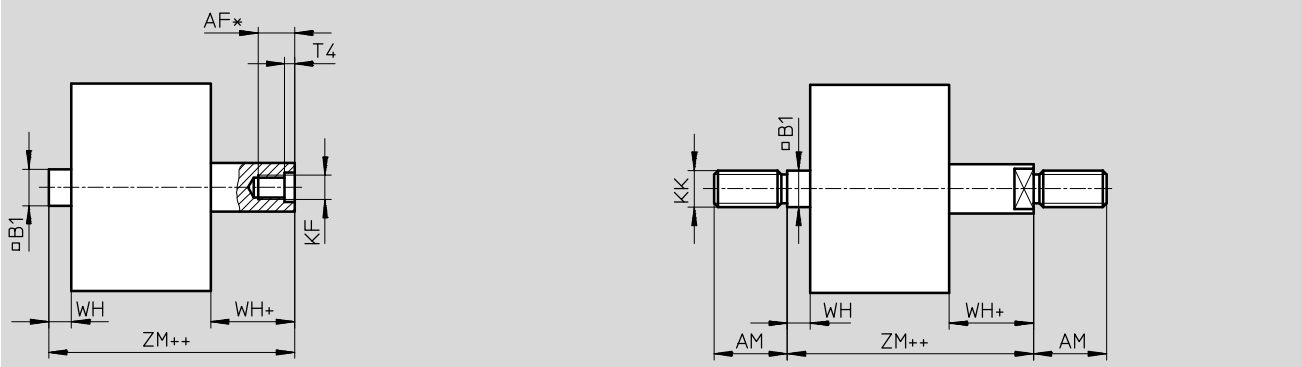
Dimensions – Pushing variants, AEVULQ

Download CAD data → www.festo.com

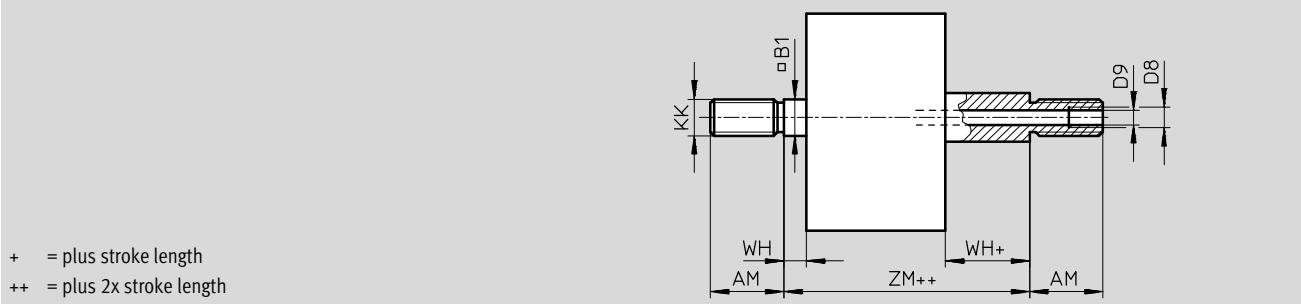
Basic version



S2 – Through piston rod



S20 – Through, hollow piston rod



+ = plus stroke length
++ = plus 2x stroke length

∅ [mm]	AF	AM	B1 □	D8	D9 ∅	Kf	KK	T4	WH	ZJ	ZM
16	10	20	7	–	3.2	M4	M8	1.5	4.5	42.5	47
20 ²⁾	12	22	9	–	3.8	M5	M10x1.25	2	4.5	42.5	47
25 ²⁾	12	22	9	–	3.8	M5	M10x1.25	2	5.5	45	50.5
32 ²⁾	14	22	10	–	4.5	M6	M10x1.25	2.6	6	50.5	56.5
40 ²⁾	14	22	10	–	4.5	M6	M10x1.25	2.6	6.5	52	58.5
50 ²⁾	16	24	12	–	6	M8	M12x1.25	3.3	7.5	53	60.5
63 ²⁾	16	24	12	–	6	M8	M12x1.25	3.3	7.5	57.5	65
80 ²⁾	20 ¹⁾	32	16	G1/8	8	M10	M16x1.5	4.7	8	64	72
100 ²⁾	24 ¹⁾	40	20	G1/4	11.7	M12	M20x1.5	6.1	10	76.5	86.5

1) With a stroke < 5 mm, the maximum screw-in depth is reduced by 5 mm

2) Nut for piston rod thread included in scope of delivery

Compact cylinders AEVULQ/AEVULQZ

Technical data – Single-acting, non-rotating with square piston rod

FESTO

Dimensions – Pulling variants, AEVULQZ

Download CAD data → www.festo.com




+ = plus stroke length
 ++ = plus 2x stroke length

∅ [mm]	AF	AM	B1 □	KF	KK	T4	WH	ZJ
16	10	20	7	M4	M8	1.5	4.5	42.5
20 ¹⁾	12	22	9	M5	M10x1.25	2	4.5	42.5
25 ¹⁾	12	22	9	M5	M10x1.25	2	5.5	45
32 ¹⁾	14	22	10	M6	M10x1.25	2.6	6	50.5
40 ¹⁾	14	22	10	M6	M10x1.25	2.6	6.5	52
50 ¹⁾	16	24	12	M8	M12x1.25	3.3	7.5	53
63 ¹⁾	16	24	12	M8	M12x1.25	3.3	7.5	57.5
80 ¹⁾	20	32	16	M10	M16x1.5	4.7	8	64
100 ¹⁾	24	40	20	M12	M20x1.5	6.1	10	76.5

1) Nut for piston rod thread included in scope of delivery

Compact cylinders AEVULQ/AEVULQZ






Technical data – Single-acting, non-rotating with square piston rod

Ordering data – Pushing variants, basic version, AEVULQ						
Type	Piston Ø [mm]	Stroke [mm]	Piston rod with female thread		Piston rod with male thread	
			Part No.	Type	Part No.	Type
	16	5	157027	AEVULQ-16-5-P-A	157073	AEVULQ-16-5-A-P-A
		10	157028	AEVULQ-16-10-P-A	157074	AEVULQ-16-10-A-P-A
		15	157029	AEVULQ-16-15-P-A	157075	AEVULQ-16-15-A-P-A
		20	157030	AEVULQ-16-20-P-A	157076	AEVULQ-16-20-A-P-A
		25	157031	AEVULQ-16-25-P-A	157077	AEVULQ-16-25-A-P-A
	20	5	157032	AEVULQ-20-5-P-A	157078	AEVULQ-20-5-A-P-A
		10	157033	AEVULQ-20-10-P-A	157079	AEVULQ-20-10-A-P-A
		15	157034	AEVULQ-20-15-P-A	157080	AEVULQ-20-15-A-P-A
		20	157035	AEVULQ-20-20-P-A	157081	AEVULQ-20-20-A-P-A
		25	157036	AEVULQ-20-25-P-A	157082	AEVULQ-20-25-A-P-A
	25	5	157037	AEVULQ-25-5-P-A	157083	AEVULQ-25-5-A-P-A
		10	157038	AEVULQ-25-10-P-A	157084	AEVULQ-25-10-A-P-A
		15	157039	AEVULQ-25-15-P-A	157085	AEVULQ-25-15-A-P-A
		20	157040	AEVULQ-25-20-P-A	157086	AEVULQ-25-20-A-P-A
		25	157041	AEVULQ-25-25-P-A	157087	AEVULQ-25-25-A-P-A
	32	5	157042	AEVULQ-32-5-P-A	157088	AEVULQ-32-5-A-P-A
		10	157043	AEVULQ-32-10-P-A	157089	AEVULQ-32-10-A-P-A
		15	157044	AEVULQ-32-15-P-A	157090	AEVULQ-32-15-A-P-A
		20	157045	AEVULQ-32-20-P-A	157091	AEVULQ-32-20-A-P-A
		25	157046	AEVULQ-32-25-P-A	157092	AEVULQ-32-25-A-P-A
40	5	157047	AEVULQ-40-5-P-A	157093	AEVULQ-40-5-A-P-A	
	10	157048	AEVULQ-40-10-P-A	157094	AEVULQ-40-10-A-P-A	
	15	157049	AEVULQ-40-15-P-A	157095	AEVULQ-40-15-A-P-A	
	20	157050	AEVULQ-40-20-P-A	157096	AEVULQ-40-20-A-P-A	
	25	157051	AEVULQ-40-25-P-A	157097	AEVULQ-40-25-A-P-A	
50	10	157052	AEVULQ-50-10-P-A	157098	AEVULQ-50-10-A-P-A	
	15	157053	AEVULQ-50-15-P-A	157099	AEVULQ-50-15-A-P-A	
	20	157054	AEVULQ-50-20-P-A	157100	AEVULQ-50-20-A-P-A	
	25	157055	AEVULQ-50-25-P-A	157101	AEVULQ-50-25-A-P-A	
63	10	157056	AEVULQ-63-10-P-A	157102	AEVULQ-63-10-A-P-A	
	15	157057	AEVULQ-63-15-P-A	157103	AEVULQ-63-15-A-P-A	
	20	157058	AEVULQ-63-20-P-A	157104	AEVULQ-63-20-A-P-A	
	25	157059	AEVULQ-63-25-P-A	157105	AEVULQ-63-25-A-P-A	
80	10	157060	AEVULQ-80-10-P-A	157106	AEVULQ-80-10-A-P-A	
	15	157061	AEVULQ-80-15-P-A	157107	AEVULQ-80-15-A-P-A	
	20	157062	AEVULQ-80-20-P-A	157108	AEVULQ-80-20-A-P-A	
	25	157063	AEVULQ-80-25-P-A	157109	AEVULQ-80-25-A-P-A	
100	10	157064	AEVULQ-100-10-P-A	157110	AEVULQ-100-10-A-P-A	
	15	157065	AEVULQ-100-15-P-A	157111	AEVULQ-100-15-A-P-A	
	20	157066	AEVULQ-100-20-P-A	157112	AEVULQ-100-20-A-P-A	
	25	157067	AEVULQ-100-25-P-A	157113	AEVULQ-100-25-A-P-A	

Compact cylinders AEVULQ/AEVULQZ

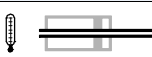
Technical data – Single-acting, non-rotating with square piston rod


FESTO

Ordering data – Pushing variants, AEVULQ						
Type	Piston Ø [mm]	Stroke [mm]	Piston rod with female thread		Piston rod with male thread	
			Part No.	Type	Part No.	Type
Variable stroke						
	16	1 ... 25	156321	AEVULQ-16-...-P-A	156361	AEVULQ-16-...-A-P-A
	20	1 ... 25	156322	AEVULQ-20-...-P-A	156362	AEVULQ-20-...-A-P-A
	25	1 ... 25	156323	AEVULQ-25-...-P-A	156363	AEVULQ-25-...-A-P-A
	32	1 ... 25	156324	AEVULQ-32-...-P-A	156364	AEVULQ-32-...-A-P-A
	40	1 ... 25	156325	AEVULQ-40-...-P-A	156365	AEVULQ-40-...-A-P-A
	50	1 ... 25	156326	AEVULQ-50-...-P-A	156366	AEVULQ-50-...-A-P-A
	63	1 ... 25	156327	AEVULQ-63-...-P-A	156367	AEVULQ-63-...-A-P-A
	80	1 ... 25	156328	AEVULQ-80-...-P-A	156368	AEVULQ-80-...-A-P-A
	100	1 ... 25	156329	AEVULQ-100-...-P-A	156369	AEVULQ-100-...-A-P-A
S2 – Through piston rod						
	16	1 ... 25	156331	AEVULQ-16-...-P-A-S2	156371	AEVULQ-16-...-A-P-A-S2
	20	1 ... 25	156332	AEVULQ-20-...-P-A-S2	156372	AEVULQ-20-...-A-P-A-S2
	25	1 ... 25	156333	AEVULQ-25-...-P-A-S2	156373	AEVULQ-25-...-A-P-A-S2
	32	1 ... 25	156334	AEVULQ-32-...-P-A-S2	156374	AEVULQ-32-...-A-P-A-S2
	40	1 ... 25	156335	AEVULQ-40-...-P-A-S2	156375	AEVULQ-40-...-A-P-A-S2
	50	1 ... 25	156336	AEVULQ-50-...-P-A-S2	156376	AEVULQ-50-...-A-P-A-S2
	63	1 ... 25	156337	AEVULQ-63-...-P-A-S2	156377	AEVULQ-63-...-A-P-A-S2
	80	1 ... 25	156338	AEVULQ-80-...-P-A-S2	156378	AEVULQ-80-...-A-P-A-S2
	100	1 ... 25	156339	AEVULQ-100-...-P-A-S2	156379	AEVULQ-100-...-A-P-A-S2
S6 – Heat resistant up to 120 °C						
	16	1 ... 25	156351	AEVULQ-16-...-P-A-S6	156411	AEVULQ-16-...-A-P-A-S6
	20	1 ... 25	156352	AEVULQ-20-...-P-A-S6	156412	AEVULQ-20-...-A-P-A-S6
	25	1 ... 25	156353	AEVULQ-25-...-P-A-S6	156413	AEVULQ-25-...-A-P-A-S6
	32	1 ... 25	156354	AEVULQ-32-...-P-A-S6	156414	AEVULQ-32-...-A-P-A-S6
	40	1 ... 25	156355	AEVULQ-40-...-P-A-S6	156415	AEVULQ-40-...-A-P-A-S6
	50	1 ... 25	156356	AEVULQ-50-...-P-A-S6	156416	AEVULQ-50-...-A-P-A-S6
	63	1 ... 25	156357	AEVULQ-63-...-P-A-S6	156417	AEVULQ-63-...-A-P-A-S6
	80	1 ... 25	156358	AEVULQ-80-...-P-A-S6	156418	AEVULQ-80-...-A-P-A-S6
	100	1 ... 25	156359	AEVULQ-100-...-P-A-S6	156419	AEVULQ-100-...-A-P-A-S6
S26 – Through piston rod, heat resistant up to 120 °C						
	16	1 ... 25	156341	AEVULQ-16-...-P-A-S26	156401	AEVULQ-16-...-A-P-A-S26
	20	1 ... 25	156342	AEVULQ-20-...-P-A-S26	156402	AEVULQ-20-...-A-P-A-S26
	25	1 ... 25	156343	AEVULQ-25-...-P-A-S26	156403	AEVULQ-25-...-A-P-A-S26
	32	1 ... 25	156344	AEVULQ-32-...-P-A-S26	156404	AEVULQ-32-...-A-P-A-S26
	40	1 ... 25	156345	AEVULQ-40-...-P-A-S26	156405	AEVULQ-40-...-A-P-A-S26
	50	1 ... 25	156346	AEVULQ-50-...-P-A-S26	156406	AEVULQ-50-...-A-P-A-S26
	63	1 ... 25	156347	AEVULQ-63-...-P-A-S26	156407	AEVULQ-63-...-A-P-A-S26
	80	1 ... 25	156348	AEVULQ-80-...-P-A-S26	156408	AEVULQ-80-...-A-P-A-S26
	100	1 ... 25	156349	AEVULQ-100-...-P-A-S26	156409	AEVULQ-100-...-A-P-A-S26
S20 – Through, hollow piston rod						
	16	1 ... 25	-		156381	AEVULQ-16-...-A-P-A-S20
	20	1 ... 25	-		156382	AEVULQ-20-...-A-P-A-S20
	25	1 ... 25	-		156383	AEVULQ-25-...-A-P-A-S20
	32	1 ... 25	-		156384	AEVULQ-32-...-A-P-A-S20
	40	1 ... 25	-		156385	AEVULQ-40-...-A-P-A-S20
	50	1 ... 25	-		156386	AEVULQ-50-...-A-P-A-S20
	63	1 ... 25	-		156387	AEVULQ-63-...-A-P-A-S20
	80	1 ... 25	-		156388	AEVULQ-80-...-A-P-A-S20
	100	1 ... 25	-		156389	AEVULQ-100-...-A-P-A-S20

Compact cylinders AEVULQ/AEVULQZ


Technical data – Single-acting, non-rotating with square piston rod


Ordering data – Pushing variants, AEVULQ						
Type	Piston Ø [mm]	Stroke [mm]	Piston rod with female thread		Piston rod with male thread	
			Part No.	Type	Part No.	Type
S206 – Through, hollow piston rod, heat resistant up to 120 °C						
	16	1 ... 25	-		156391	AEVULQ-16-...-A-P-A-S206
	20	1 ... 25	-		156392	AEVULQ-20-...-A-P-A-S206
	25	1 ... 25	-		156393	AEVULQ-25-...-A-P-A-S206
	32	1 ... 25	-		156394	AEVULQ-32-...-A-P-A-S206
	40	1 ... 25	-		156395	AEVULQ-40-...-A-P-A-S206
	50	1 ... 25	-		156396	AEVULQ-50-...-A-P-A-S206
	63	1 ... 25	-		156397	AEVULQ-63-...-A-P-A-S206
	80	1 ... 25	-		156398	AEVULQ-80-...-A-P-A-S206
	100	1 ... 25	-		156399	AEVULQ-100-...-A-P-A-S206


Ordering data – Pulling variants, basic version, AEVULQZ						
Type	Piston Ø [mm]	Stroke [mm]	Piston rod with female thread		Piston rod with male thread	
			Part No.	Type	Part No.	Type
	16	5	157119	AEVULQZ-16-5-P-A	157165	AEVULQZ-16-5-A-P-A
		10	157120	AEVULQZ-16-10-P-A	157166	AEVULQZ-16-10-A-P-A
		15	157121	AEVULQZ-16-15-P-A	157167	AEVULQZ-16-15-A-P-A
		20	157122	AEVULQZ-16-20-P-A	157168	AEVULQZ-16-20-A-P-A
		25	157123	AEVULQZ-16-25-P-A	157169	AEVULQZ-16-25-A-P-A
	20	5	157124	AEVULQZ-20-5-P-A	157170	AEVULQZ-20-5-A-P-A
		10	157125	AEVULQZ-20-10-P-A	157171	AEVULQZ-20-10-A-P-A
		15	157126	AEVULQZ-20-15-P-A	157172	AEVULQZ-20-15-A-P-A
		20	157127	AEVULQZ-20-20-P-A	157173	AEVULQZ-20-20-A-P-A
		25	157128	AEVULQZ-20-25-P-A	157174	AEVULQZ-20-25-A-P-A
	25	5	157129	AEVULQZ-25-5-P-A	157175	AEVULQZ-25-5-A-P-A
		10	157130	AEVULQZ-25-10-P-A	157176	AEVULQZ-25-10-A-P-A
		15	157131	AEVULQZ-25-15-P-A	157177	AEVULQZ-25-15-A-P-A
		20	157132	AEVULQZ-25-20-P-A	157178	AEVULQZ-25-20-A-P-A
		25	157133	AEVULQZ-25-25-P-A	157179	AEVULQZ-25-25-A-P-A
	32	5	157134	AEVULQZ-32-5-P-A	157180	AEVULQZ-32-5-A-P-A
		10	157135	AEVULQZ-32-10-P-A	157181	AEVULQZ-32-10-A-P-A
		15	157136	AEVULQZ-32-15-P-A	157182	AEVULQZ-32-15-A-P-A
		20	157137	AEVULQZ-32-20-P-A	157183	AEVULQZ-32-20-A-P-A
		25	157138	AEVULQZ-32-25-P-A	157184	AEVULQZ-32-25-A-P-A
	40	5	157139	AEVULQZ-40-5-P-A	157185	AEVULQZ-40-5-A-P-A
		10	157140	AEVULQZ-40-10-P-A	157186	AEVULQZ-40-10-A-P-A
		15	157141	AEVULQZ-40-15-P-A	157187	AEVULQZ-40-15-A-P-A
		20	157142	AEVULQZ-40-20-P-A	157188	AEVULQZ-40-20-A-P-A
		25	157143	AEVULQZ-40-25-P-A	157189	AEVULQZ-40-25-A-P-A
50	10	157144	AEVULQZ-50-10-P-A	157190	AEVULQZ-50-10-A-P-A	
	15	157145	AEVULQZ-50-15-P-A	157191	AEVULQZ-50-15-A-P-A	
	20	157146	AEVULQZ-50-20-P-A	157192	AEVULQZ-50-20-A-P-A	
	25	157147	AEVULQZ-50-25-P-A	157193	AEVULQZ-50-25-A-P-A	
63	10	157148	AEVULQZ-63-10-P-A	157194	AEVULQZ-63-10-A-P-A	
	15	157149	AEVULQZ-63-15-P-A	157195	AEVULQZ-63-15-A-P-A	
	20	157150	AEVULQZ-63-20-P-A	157196	AEVULQZ-63-20-A-P-A	
	25	157151	AEVULQZ-63-25-P-A	157197	AEVULQZ-63-25-A-P-A	

Compact cylinders AEVULQ/AEVULQZ

Technical data – Single-acting, non-rotating with square piston rod

Ordering data – Pulling variants, basic version, AEVULQZ						
Type	Piston Ø [mm]	Stroke [mm]	Piston rod with female thread		Piston rod with male thread	
			Part No.	Type	Part No.	Type
	80	10	157152	AEVULQZ-80-10-P-A	157198	AEVULQZ-80-10-A-P-A
		15	157153	AEVULQZ-80-15-P-A	157199	AEVULQZ-80-15-A-P-A
		20	157154	AEVULQZ-80-20-P-A	157200	AEVULQZ-80-20-A-P-A
		25	157155	AEVULQZ-80-25-P-A	157201	AEVULQZ-80-25-A-P-A
	100	10	157156	AEVULQZ-100-10-P-A	157202	AEVULQZ-100-10-A-P-A
		15	157157	AEVULQZ-100-15-P-A	157203	AEVULQZ-100-15-A-P-A
		20	157158	AEVULQZ-100-20-P-A	157204	AEVULQZ-100-20-A-P-A
		25	157159	AEVULQZ-100-25-P-A	157205	AEVULQZ-100-25-A-P-A

Ordering data – Pulling variants, AEVULQZ						
Type	Piston Ø [mm]	Stroke [mm]	Piston rod with female thread		Piston rod with male thread	
			Part No.	Type	Part No.	Type
Variable stroke						
	16	1 ... 25	156421	AEVULQZ-16-...-P-A	156441	AEVULQZ-16-...-A-P-A
	20	1 ... 25	156422	AEVULQZ-20-...-P-A	156442	AEVULQZ-20-...-A-P-A
	25	1 ... 25	156423	AEVULQZ-25-...-P-A	156443	AEVULQZ-25-...-A-P-A
	32	1 ... 25	156424	AEVULQZ-32-...-P-A	156444	AEVULQZ-32-...-A-P-A
	40	1 ... 25	156425	AEVULQZ-40-...-P-A	156445	AEVULQZ-40-...-A-P-A
	50	1 ... 25	156426	AEVULQZ-50-...-P-A	156446	AEVULQZ-50-...-A-P-A
	63	1 ... 25	156427	AEVULQZ-63-...-P-A	156447	AEVULQZ-63-...-A-P-A
	80	1 ... 25	156428	AEVULQZ-80-...-P-A	156448	AEVULQZ-80-...-A-P-A
	100	1 ... 25	156429	AEVULQZ-100-...-P-A	156449	AEVULQZ-100-...-A-P-A

S6 – Heat resistant up to 120 °C						
	16	1 ... 25	156431	AEVULQZ-16-...-P-A-S6	156451	AEVULQZ-16-...-A-P-A-S6
	20	1 ... 25	156432	AEVULQZ-20-...-P-A-S6	156452	AEVULQZ-20-...-A-P-A-S6
	25	1 ... 25	156433	AEVULQZ-25-...-P-A-S6	156453	AEVULQZ-25-...-A-P-A-S6
	32	1 ... 25	156434	AEVULQZ-32-...-P-A-S6	156454	AEVULQZ-32-...-A-P-A-S6
	40	1 ... 25	156435	AEVULQZ-40-...-P-A-S6	156455	AEVULQZ-40-...-A-P-A-S6
	50	1 ... 25	156436	AEVULQZ-50-...-P-A-S6	156456	AEVULQZ-50-...-A-P-A-S6
	63	1 ... 25	156437	AEVULQZ-63-...-P-A-S6	156457	AEVULQZ-63-...-A-P-A-S6
	80	1 ... 25	156438	AEVULQZ-80-...-P-A-S6	156458	AEVULQZ-80-...-A-P-A-S6
	100	1 ... 25	156439	AEVULQZ-100-...-P-A-S6	156459	AEVULQZ-100-...-A-P-A-S6

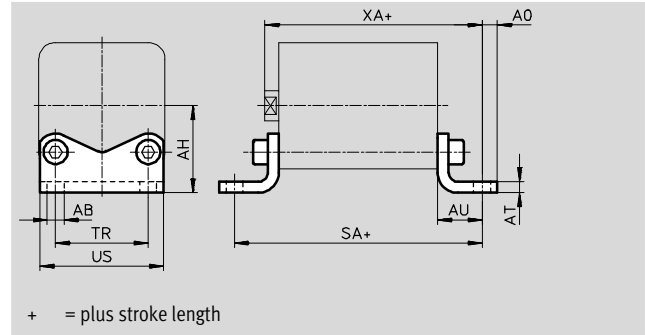
Compact cylinders ADVU/AEVU

Accessories

Foot mounting HUA
for piston \varnothing 12 ... 100 mm

Foot mounting HNC
for piston \varnothing 125 mm
(not illustrated)

Material:
HUA/HNC: Galvanised steel
HUA-...-R3: Steel, silver protective coating
CRHN: High-alloy stainless steel
Free of copper and PTFE



Dimensions and ordering data											
For \varnothing	AB \varnothing	AH	AO	AT	AU	SA		TR	US	XA	
						Basic version	S1			Basic version	S1
12/16	5.5	22	4.75	3	13	64	-	18	27	55.5	-
20	6.6	27	6.25	4	16	70	-	22	34	58.5	-
25	6.6	29	6.25	4	16	71.5	77.5	26	38	61	73
32	6.6	34	8.25	5	18	80.5	-	32	48	68.5	-
40	9	40.5	8.25	5	20	85.5	92.5	42	58	72	89
50	9	47	8.25	6	24	93.5	-	50	66	77	-
63	11	56.5	11.75	6	27	104	112	62	85	84.5	106.5
80	11	68.5	11.75	8	30	116	-	82	105	94	-
100	13.5	81	11.75	8	33	132.5	143.5	103	126	109.5	137.5
125	16.5	90	22	8	45	171	-	90	131	144	-

For \varnothing	Weight [g]	Basic version			Weight [g]	R3 – High corrosion protection		
		CRC ¹⁾	Part No.	Type		CRC ¹⁾	Part No.	Type
12/16	45	1	157309	HUA-12/16	45	3	176873	HUA-12/16-R3
20	88		157310	HUA-20	70		176874	HUA-20-R3
25	94		157311	HUA-25	76		176875	HUA-25-R3
32	171		157312	HUA-32	175		176876	HUA-32-R3
40	220		157313	HUA-40	224		176877	HUA-40-R3
50	344		157314	HUA-50	352		176878	HUA-50-R3
63	581		157315	HUA-63	593		176879	HUA-63-R3
80	878		157316	HUA-80	902		176880	HUA-80-R3
100	1117		157317	HUA-100	1128		176881	HUA-100-R3
			Basic version			Corrosion resistant		
125	1840	2	174375	HNC-125	1840	4	176943	CRHNC-125

1) Corrosion resistance class CRC 1 to Festo standard FN 940070
Low corrosion stress. For dry indoor applications or transport and storage protection. Also applies to parts behind covers, in the non-visible interior area, and parts which are covered in the application (e.g. drive trunnions).
Corrosion resistance class CRC 2 to Festo standard FN 940070
Moderate corrosion stress. Indoor applications in which condensation may occur. External visible parts with primarily decorative requirements for the surface and which are in direct contact with the ambient atmosphere typical for industrial applications.
Corrosion resistance class CRC 3 to Festo standard FN 940070
High corrosion stress. Outdoor exposure under moderate corrosive conditions. External visible parts with primarily functional requirements for the surface and which are in direct contact with a normal industrial environment.
Corrosion resistance class CRC 4 to Festo standard FN 940070
Particularly high corrosion stress. Outdoor exposure under extreme corrosive conditions. Parts exposed to aggressive media, for instance in the chemical or food industries. These applications may need to be supported by special tests (➔ also FN 940082) using appropriate media.

Compact cylinders ADVU/AEUV

Accessories



Flange mounting FUA
for piston \varnothing 12 ... 100 mm

Flange mounting FNC
for piston \varnothing 125 mm
(not illustrated)

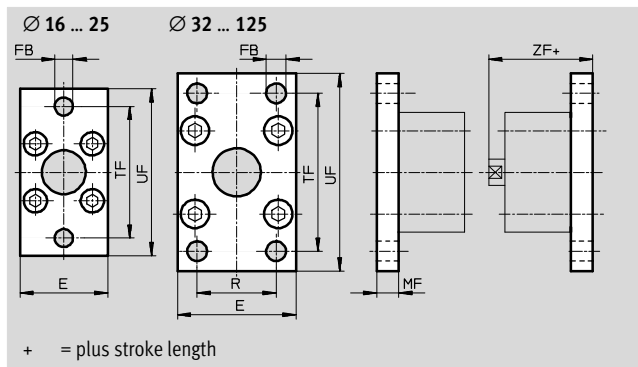
Material:

FUA: Wrought aluminium alloy

FNC: Galvanised steel

Free of copper and PTFE

Conforms to RoHS



Dimensions and ordering data						
For \varnothing	E	FB \varnothing	MF	R	TF	UF
12/16	29	5.5	10	–	43	55
20	36	6.6	10	–	55	70
25	40	6.6	10	–	60	76
32	50	7	10	32	65	80
40	60	9	10	36	82	102
50	68	9	12	45	90	110
63	87	9	15	50	110	130
80	107	12	15	63	135	160
100	128	14	15	75	163	190
125	132	16	20	90	180	210

Dimensions and ordering data						
For \varnothing	ZF		CRC ¹⁾	Weight [g]	Part No.	Type
	ADVU-...	ADVU-...-S1				
12/16	52.5	–	2	48	157299	FUA-12/16
20	52.5	–	2	77	157300	FUA-20
25	55	67	2	91	157301	FUA-25
32	60.5	–	2	290	157302	FUA-32
40	62	79	2	449	157303	FUA-40
50	65	–	2	658	157304	FUA-50
63	72.5	91.5	2	1277	157305	FUA-63
80	76	–	2	1910	157306	FUA-80
100	91.5	119.5	2	2716	157307	FUA-100
125	119	–	1	3775	174382	FNC-125

1) Corrosion resistance class CRC 1 to Festo standard FN 940070

Low corrosion stress. For dry indoor applications or transport and storage protection. Also applies to parts behind covers, in the non-visible interior area, and parts which are covered in the application (e.g. drive trunnions).

Corrosion resistance class CRC 2 to Festo standard FN 940070

Moderate corrosion stress. Indoor applications in which condensation may occur. External visible parts with primarily decorative requirements for the surface and which are in direct contact with the ambient atmosphere typical for industrial applications.

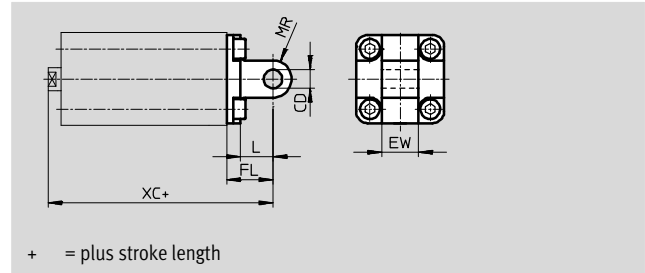
Compact cylinders ADVU/AEVU

Accessories

FESTO

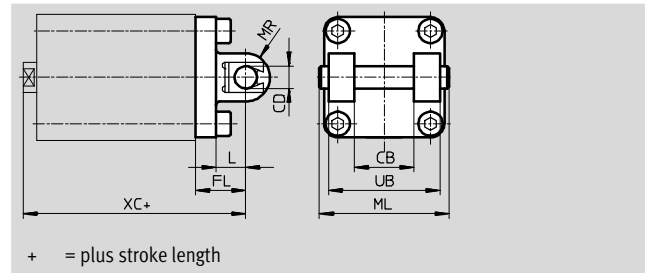
Swivel flange SUA for piston \varnothing 12 ... 25 mm

Material:
SUA: Anodised aluminium
SUA- ... -R3: Aluminium, silver protective coating, high corrosion protection
Free of copper and PTFE



for piston \varnothing 32 ... 100 mm


Material:
SUA: Anodised aluminium
SUA- ... -R3: Aluminium, silver protective coating
Free of copper and PTFE



Dimensions and ordering data

For \varnothing	CB	CD \varnothing	EW	FL	L	ML	MR	UB	XC	
									Basic version	S1
12/16	-	6	12	16	10	-	6	-	58.5	-
20	-	8	16	20	14	-	8	-	62.5	-
25	-	8	16	20	14	-	8	-	65	77
32	26	10	-	22	13	54	10	45	72.5	-
40	28	12	-	25	16	62	12	52	77	94
50	32	12	-	27	16	70	12	60	80	-
63	40	16	-	32	21	82	16	70	89.5	111.5
80	50	16	-	36	23	102	16	90	100	-
100	60	20	-	41	26	126	20	110	117.5	145.5

For \varnothing	Weight [g]	Basic version		Weight [g]	R3 - High corrosion protection	
		Part No.	Type		Part No.	Type
12/16	22	157319	SUA-12/16	22	176883	SUA-12/16-R3
20	41	157320	SUA-20	41	176884	SUA-20-R3
25	45	157321	SUA-25	45	176885	SUA-25-R3
32	137	157322	SUA-32	135	176886	SUA-32-R3
40	199	157323	SUA-40	194	176887	SUA-40-R3
50	287	157324	SUA-50	283	176888	SUA-50-R3
63	530	157325	SUA-63	527	176889	SUA-63-R3
80	763	157326	SUA-80	770	176890	SUA-80-R3
100	1283	157327	SUA-100	1234	176891	SUA-100-R3

-  - Note
The maximum stroke length may not be exceeded when combining cylinders and swivel flanges.

For \varnothing	Max. stroke length [mm]
12	50
16	50
20	50
25	50
32	100

For \varnothing	Max. stroke length [mm]
40	100
50	100
63	100
80	150
100	150

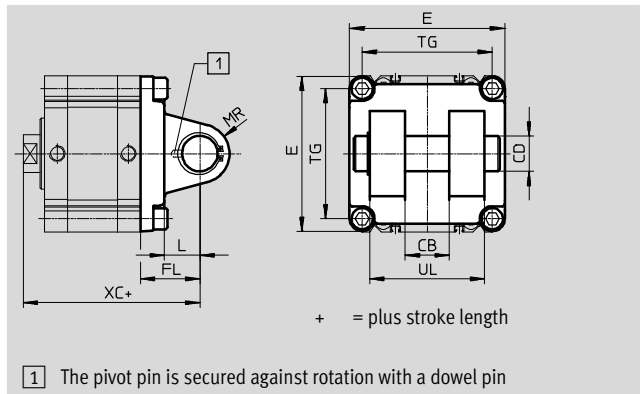
Compact cylinders ADVU/AEVU

Accessories



Swivel flange SNC-125 for piston Ø 125 mm

Material:
Die-cast aluminium
Free of copper and PTFE
Conforms to RoHS

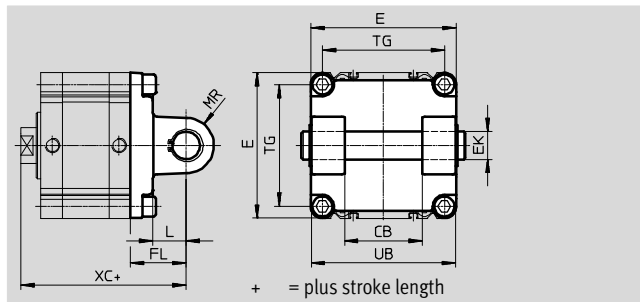


Ordering data													
For Ø	CB	CD Ø	E	FL	L	MR	TG	UL	XC	CRC ¹⁾	Weight	Basic version	
	H14	H9	-0.8	±0.2				h14			[g]	Part No.	Type
125	37	30	131	50	30	25	110	97	149	1	1740	174389	SNC-125

1) Corrosion resistance class CRC 1 to Festo standard FN 940070
Low corrosion stress. For dry indoor applications or transport and storage protection. Also applies to parts behind covers, in the non-visible interior area, and parts which are covered in the application (e.g. drive trunnions).

Swivel flange SNCB-125 for piston Ø 125 mm

Material:
SNCB-125: Die-cast aluminium
SNCB-125-R3: Die-cast aluminium,
protective coating, high corrosion
protection
Free of copper and PTFE
Conforms to RoHS



Ordering data									
For Ø	CB	E	EK Ø	FL	L	MR	TG	UB	XC
[mm]	H14	-0.8	H9/e8	±0.2		-0.5		h14	
125	70	131	25	50	30	25	110	130	149

For Ø	Basic version				R3 – High corrosion protection			
	CRC ¹⁾	Weight	Part No.	Type	CRC ¹⁾	Weight	Part No.	Type
[mm]		[g]				[g]		
125	1	1860	174396	SNCB-125	3	1776	176950	SNCB-125-R3

1) Corrosion resistance class CRC 1 to Festo standard FN 940070
Low corrosion stress. For dry indoor applications or transport and storage protection. Also applies to parts behind covers, in the non-visible interior area, and parts which are covered in the application (e.g. drive trunnions).
Corrosion resistance class CRC 3 to Festo standard FN 940070
High corrosion stress. Outdoor exposure under moderate corrosive conditions. External visible parts with primarily functional requirements for the surface and which are in direct contact with a normal industrial environment.

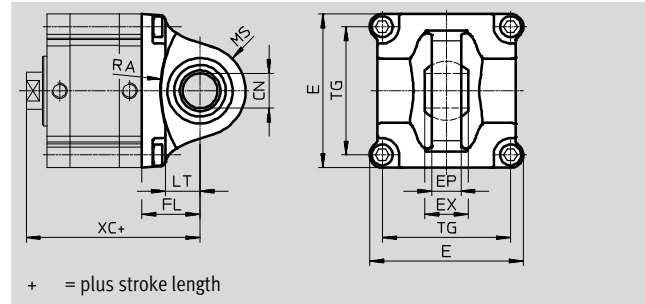
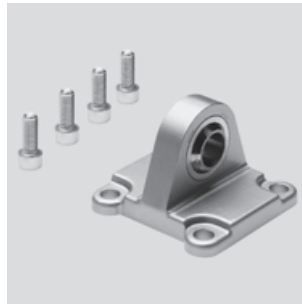
Compact cylinders ADVU/AEVU

Accessories



Swivel flange SNCS-125 for piston Ø 125 mm

Material:
SNCS-125: Wrought aluminium alloy
SNCS-125-R3: Wrought aluminium alloy with protective coating
Conforms to RoHS



Dimensions and ordering data							
For Ø	CN Ø		E		EP	EX	FL
	ADVU-...	ADVU-...-R3	ADVU-...	ADVU-...-R3			
125	30 ^{+0.018}	30 ^{+0.021/-0.04}	132 ^{+1/-0.7}	132 ^{+1/-0.7}	±0.2	37	±0.2

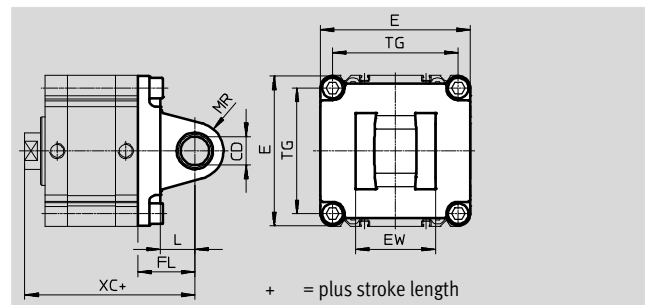
For Ø	LT	MS		RA		TG	XC
		ADVU-...	ADVU-...-R3	ADVU-... +1	ADVU-...-R3 +1		
125	30	39 ^{±0.5}	39 ^{±0.5}	100	100	110	149

For Ø [mm]	Basic version				High corrosion protection			
	CRC ¹⁾	Weight [g]	Part No.	Type	CRC ¹⁾	Weight [g]	Part No.	Type
125	2	1369	174403	SNCS-125	3	1369	2895926	SNCS-125-R3

- 1) Corrosion resistance class CRC 2 to Festo standard FN 940070
Moderate corrosion stress. Indoor applications in which condensation may occur. External visible parts with primarily decorative requirements for the surface and which are in direct contact with the ambient atmosphere typical for industrial applications.
Corrosion resistance class CRC 3 to Festo standard FN 940070
High corrosion stress. Outdoor exposure under moderate corrosive conditions. External visible parts with primarily functional requirements for the surface and which are in direct contact with a normal industrial environment.

Swivel flange SNCL-125 for piston Ø 125 mm

Material:
Die-cast aluminium
Free of copper and PTFE
Conforms to RoHS



Ordering data												
For Ø	CD Ø	E	EW	FL	L	MR	TG	XC	CRC ¹⁾	Weight [g]	Basic version	
											Part No.	Type
125	25	131	70	50	30	25	110	149	1	1135	174410	SNCL-125

- 1) Corrosion resistance class CRC 1 to Festo standard FN 940070
Low corrosion stress. For dry indoor applications or transport and storage protection. Also applies to parts behind covers, in the non-visible interior area, and parts which are covered in the application (e.g. drive trunnions).

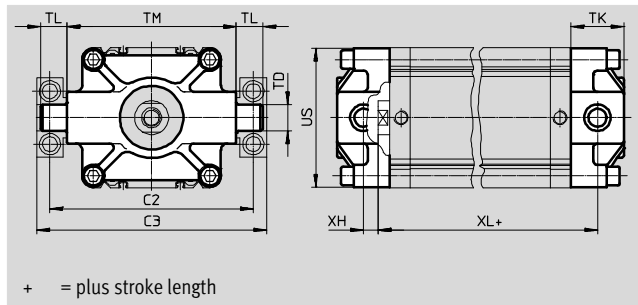
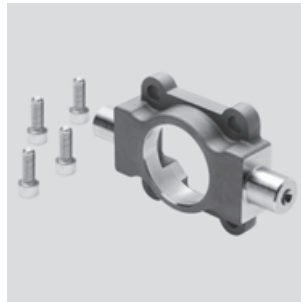
Compact cylinders ADVU/AEVU

Accessories



Trunnion flange ZNCF-125 for piston Ø 125 mm

Material:
High-alloy stainless steel
Free of copper and PTFE
Conforms to RoHS




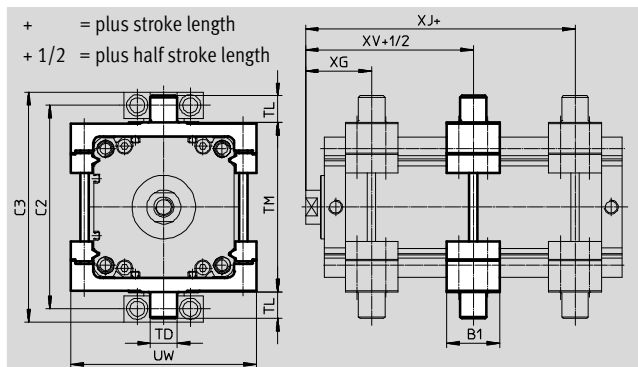
Ordering data												
For Ø	C2	C3	TD Ø e9	TK max.	TL +0.5/-0.7	TM h14	US	XH	XL	CRC ¹⁾	Weight [g]	Basic version Part No. Type
125	192	217	25	50	24.5	160	131	14	124	2	3484	174417 ZNCF-125

1) Corrosion resistance class CRC 2 to Festo standard FN 940070
Moderate corrosion stress. Indoor applications in which condensation may occur. External visible parts with primarily decorative requirements for the surface and which are in direct contact with the ambient atmosphere typical for industrial applications.

Trunnion mounting kit DAMT-V7-125-A for piston Ø 125 mm

Material:
Tempered steel
Free of copper and PTFE
Conforms to RoHS

-  Note
The trunnion mounting kit can be attached to the cylinder profile barrel at any position.



Ordering data													
For Ø	C1	C2	B1	TD Ø e9	TL	TM	UW	XG	XV	XJ	CRC ¹⁾	Weight [g]	Basic version Part No. Type
125	217	192	50	25	25	160	175	62.5	58.5	54.5	1	3013	163531 DAMT-V7-125-A

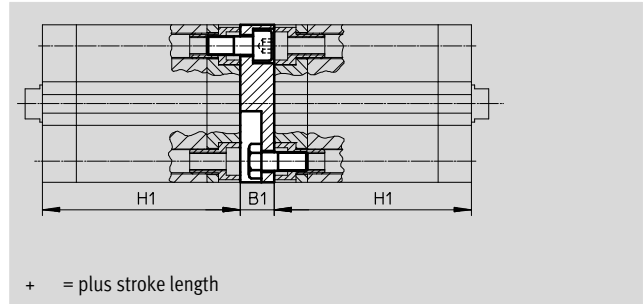
1) Corrosion resistance class CRC 1 to Festo standard FN 940070
Low corrosion stress. For dry indoor applications or transport and storage protection. Also applies to parts behind covers, in the non-visible interior area, and parts which are covered in the application (e.g. drive trunnions).

Compact cylinders ADVU/AEVU

Accessories

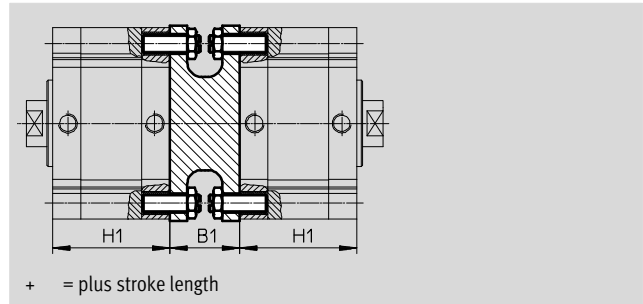
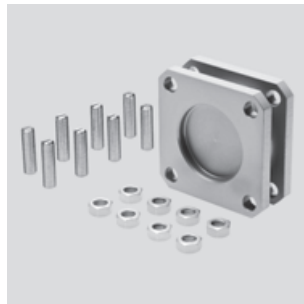
Adapter kit DPVU for piston \varnothing 12 ... 100 mm


Material:
Wrought aluminium alloy
Free of copper and PTFE
Conforms to RoHS



Adapter kit DPNC for piston \varnothing 125 mm

Material:
Flange: Wrought aluminium alloy
Threaded pins, hex nuts: Galvanised steel



 Note
The maximum overall stroke length may not be exceeded when combining cylinders and adapter kits.

Dimensions and ordering data							
For \varnothing	B1	H	Max. overall stroke length [mm]	CRC ¹⁾	Weight [g]	Part No.	Type
12/16	12.5	38	400	2	35	161194	DPVU-12/16
20	12.5	38			54	161195	DPVU-20
25	13	39.5			65	161196	DPVU-25
32	14.5	44.5	600		111	161197	DPVU-32
40	14.5	45.5			155	161198	DPVU-40
50	14.5	45.5			212	161199	DPVU-50
63	14.5	50	800		372	161200	DPVU-63
80	16.5	56			580	161201	DPVU-80
100	19.5	66.5			935	161202	DPVU-100
125	48	81	1000		2102	174424	DPNC-125

1) Corrosion resistance class CRC 2 to Festo standard FN 940070
Moderate corrosion stress. Indoor applications in which condensation may occur. External visible parts with primarily decorative requirements for the surface and which are in direct contact with the ambient atmosphere typical for industrial applications.

Connecting two cylinders with identical piston \varnothing as a 3 or 4-position cylinder

A 3 or 4-position cylinder consists of two separate cylinders whose piston rods advance in opposing directions.

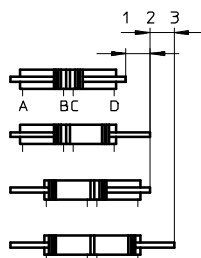
Depending upon actuation and stroke pattern, this type of cylinder can assume up to four positions. In each

case the cylinder is driven precisely against a stop. If one end of the piston rod is fixed, the cylinder barrel

executes the movement. The cylinder must be connected with flexible line connections.

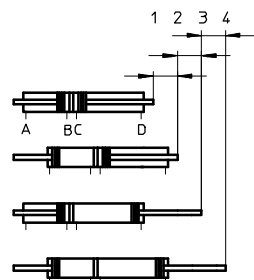
Implementing 3 positions

Two cylinders with identical stroke length must be connected to this end.



Implementing 4 positions




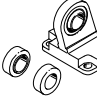
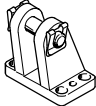
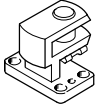
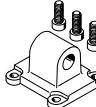

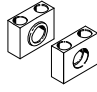
Two cylinders with different stroke lengths must be connected to this end.



Compact cylinders ADVU/AEVU

Accessories

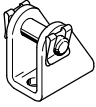

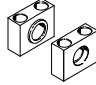
FESTO

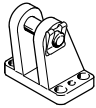
Ordering data – Mounting attachments				Technical data → Internet: clevis foot			
Designation	For Ø	Part No.	Type	Designation	For Ø	Part No.	Type
Clevis foot LBN				Clevis foot LNG			
	12	6058	LBN-12/16		32	33890	LNG-32
	16	6058	LBN-12/16		40	33891	LNG-40
	20	6059	LBN-20/25		50	33892	LNG-50
	25	6059	LBN-20/25		63	33893	LNG-63
			80		33894	LNG-80	
			100		33895	LNG-100	
Clevis foot LN				Clevis foot LSN			
	32	5147	LN-32		32	5561	LSN-32
	40	5148	LN-40		40	5562	LSN-40
	50	5149	LN-50		50	5563	LSN-50
	63	5150	LN-63		63	5564	LSN-63
	80	5151	LN-80		80	5565	LSN-80
	100	5152	LN-100		100	5566	LSN-100
	125	9036	LN-125		125	6987	LSN-125
Clevis foot LBG				Clevis foot, lateral LQG			
	20, 25, 32, 40	31761	LBG-32		20, 25, 32, 40	31768	LQG-32
	50, 63	31762	LBG-40		50, 63	31769	LQG-40
	80	31763	LBG-50		80	31770	LQG-50
		31764	LBG-63			31771	LQG-63
	100	31765	LBG-80		100	31772	LQG-80
		31766	LBG-100			31773	LQG-100
125	31767	LBG-125	125	31774	LQG-125		
Swivel flange SNCL				Clevis foot LSNSG			
	32	174404	SNCL-32		125	31753	LSNSG-125
	40	174405	SNCL-40				
	50	174406	SNCL-50				
	63	174407	SNCL-63				
	80	174408	SNCL-80				
	100	174409	SNCL-100				
	125	174410	SNCL-125				
				Trunnion support LNZG			
					125	32962	LNZG-100/125

Compact cylinders ADVU/AEVU

Accessories




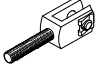
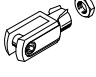
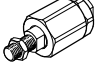
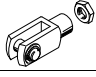
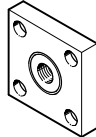
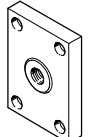
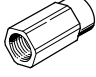
Ordering data – Corrosion and acid resistant mounting attachments				Technical data → Internet: clevis foot			
Designation	For Ø	Part No.	Type	Designation	For Ø	Part No.	Type
Clevis foot CRLBN				Clevis foot CRLNG			
	12	161862	CRLBN-12/16		32	161840	CRLNG-32
	16	161862	CRLBN-12/16		40	161841	CRLNG-40
	20	161863	CRLBN-20/25		50	161842	CRLNG-50
	25	161863	CRLBN-20/25		63	161843	CRLNG-63
			80		161844	CRLNG-80	
			100		161845	CRLNG-100	
Trunnion support CRLNZG							
	125	161877	CRLNZG-100/125				

Ordering – Mounting attachments, high corrosion protection				Technical data → Internet: clevis foot	
Designation	For Ø	Part No.	Type		
Clevis foot LBG-R3					
	20, 25, 32,40	2078790	LBG-32-R3		
	50, 63	2078792	LBG-40-R3		
	80	2078794	LBG-50-R3		
		2078795	LBG-63-R3		
	100	2078797	LBG-80-R3		
		2078799	LBG-100-R3		
	125	2078837	LBG-125-R3		

Compact cylinders ADVU/AEVU

Accessories


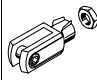
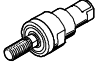
FESTO

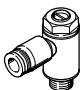

Ordering data – Piston rod attachments				Technical data → Internet: piston-rod attachment			
Designation	For Ø	Part No.	Type	Designation	For Ø	Part No.	Type
Rod eye SGS				Rod clevis SGA			
	12	9254	SGS-M6		12	–	–
	16	9255	SGS-M8		16	–	–
	20	9261	SGS-M10x1,25		20	32954	SGA-M10x1,25
	25				25		
	32				32		
	40				40		
	50	9262	SGS-M12x1,25		50	10767	SGA-M12x1,25
	63	–	–		63	–	–
	80	9263	SGS-M16x1,5		80	10768	SGA-M16x1,5
	100	9264	SGS-M20x1,5		100	10769	SGA-M20x1,5
125	10774	SGS-M27x2	125	10770	SGA-M27x2		
Rod clevis SG				Self-aligning rod coupler FK			
	12	3110	SG-M6		12	2061	FK-M6
	16	3111	SG-M8		16	2062	FK-M8
	20	6144	SG-M10x1,25		20	6140	FK-M10x1,25
	25				25		
	32				32		
	40				40		
	50	6145	SG-M12x1,25		50	6141	FK-M12x1,25
	63	–	–		63	–	–
80	6146	SG-M16x1,5	80	6142	FK-M16x1,5		
100	6147	SG-M20x1,5	100	6143	FK-M20x1,5		
	125	14987	SG-M27x2-B	125	10485	FK-M27x2	
	Coupling piece KSG				Coupling piece KSZ		
	12	–	–		12	36123	KSZ-M6
	16	–	–		16	36124	KSZ-M8
	20	32963	KSG-M10x1,25		20	36125	KSZ-M10x1,25
	25				25		
	32				32		
	40				40		
	50	32964	KSG-M12x1,25		50	36126	KSZ-M12x1,25
	63	–	–		63	–	–
	80	32965	KSG-M16x1,5		80	36127	KSZ-M16x1,5
	100	32966	KSG-M20x1,5		100	36128	KSZ-M20x1,5
125	32967	KSG-M27x2	125	–	–		
Adapter AD							
	12	157328	AD-M6-M5				
		157329	AD-M6-1/8				
		157330	AD-M6-1/4				
	16	157331	AD-M8-1/8				
		157332	AD-M8-1/4				
	20	157333	AD-M10x1,25-1/8				
	25	157334	AD-M10x1,25-1/4				
	32	–	–				
	40	–	–				
	50	160256	AD-M12x1,25-1/4				
63	160257	AD-M12x1,25-3/8					

Compact cylinders ADVU/AEUV

Accessories

FESTO

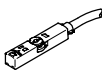
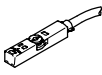
Ordering data – Corrosion and acid resistant piston rod attachments				Technical data → Internet: crsg			
Designation	For Ø	Part No.	Type	Designation	For Ø	Part No.	Type
Rod eye CRSGS				Rod clevis CRSG			
	12	195580	CRSGS-M6		12	13567	CRSG-M6
	16	195581	CRSGS-M8		16	13568	CRSG-M8
	20	195582	CRSGS-M10x1,25		20	13569	CRSG-M10x1,25
	25						
	32						
	40						
	50	195583	CRSGS-M12x1,25		50	13570	CRSG-M12x1,25
	63	195584	CRSGS-M16x1,5		63	13571	CRSG-M16x1,5
	80						
	100						
100	195585	CRSGS-M20x1,5	100	13572	CRSG-M20x1,5		
125	195586	CRSGS-M27x2	125	185361	CRSG-M27x2		
Self-aligning rod coupler CRFK							
	20	2305778	CRFK-M10x1,25				
	25						
	32						
	40						
	50	2305779	CRFK-M12x1,25				
	63	2490673	CRFK-M16x1,5				
	80						
100	2545677	CRFK-M20x1,5					

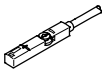

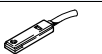
Ordering data – One-way flow control valves				Technical data → Internet: grl			
Connection	Thread	For tubing OD	Material	Part No.	Type		
				For exhaust air			
	M5	3	Metal design	193137	GRLA-M5-QS-3-D		
		4		193138	GRLA-M5-QS-4-D		
		6		193139	GRLA-M5-QS-6-D		
	G1/8	3		193142	GRLA-1/8-QS-3-D		
		4		193143	GRLA-1/8-QS-4-D		
		6		193144	GRLA-1/8-QS-6-D		
		8		193145	GRLA-1/8-QS-8-D		
	G1/4	6		193146	GRLA-1/4-QS-6-D		
		8		193147	GRLA-1/4-QS-8-D		
		10		193148	GRLA-1/4-QS-10-D		
	For supply air						
		M5		3	Metal design	193153	GRLZ-M5-QS-3-D
4			193154	GRLZ-M5-QS-4-D			
6			193155	GRLZ-M5-QS-6-D			
G1/8		3	193156	GRLZ-1/8-QS-3-D			
		4	193157	GRLZ-1/8-QS-4-D			
		6	193158	GRLZ-1/8-QS-6-D			
8		193159	GRLZ-1/8-QS-8-D				



Compact cylinders ADVU/AEVU


Accessories

FESTO

Ordering data – Proximity sensors for T-slot, magneto-resistive						Technical data → Internet: smt
	Type of mounting	Switch output	Electrical connection	Cable length [m]	Part No.	Type
N/O contact						
	Insertable in the slot from above, flush with cylinder profile, short design	PNP	Cable, 3-wire	2.5	574335	SMT-8M-A-PS-24V-E-2,5-OE
			Plug M8x1, 3-pin	0.3	574334	SMT-8M-A-PS-24V-E-0,3-M8D
			Plug M12x1, 3-pin	0.3	574337	SMT-8M-A-PS-24V-E-0,3-M12
		NPN	Cable, 3-wire	2.5	574338	SMT-8M-A-NS-24V-E-2,5-OE
			Plug M8x1, 3-pin	0.3	574339	SMT-8M-A-NS-24V-E-0,3-M8D
N/C contact						
	Insertable in the slot from above, flush with cylinder profile, short design	PNP	Cable, 3-wire	7.5	574340	SMT-8M-A-PO-24V-E-7,5-OE

Ordering data – Proximity sensors for T-slot, magnetic reed						Technical data → Internet: sme
	Type of mounting	Switch output	Electrical connection	Cable length [m]	Part No.	Type
N/O contact						
	Insertable in the slot from above, flush with cylinder profile	Contacting	Cable, 3-wire	2.5	543862	SME-8M-DS-24V-K-2,5-OE
				5.0	543863	SME-8M-DS-24V-K-5,0-OE
			Cable, 2-wire	2.5	543872	SME-8M-ZS-24V-K-2,5-OE
			Plug M8x1, 3-pin	0.3	543861	SME-8M-DS-24V-K-0,3-M8D
	Insertable in the slot lengthwise, flush with the cylinder profile	Contacting	Cable, 3-wire	2.5	150855	SME-8-K-LED-24
			Plug M8x1, 3-pin	0.3	150857	SME-8-S-LED-24
N/C contact						
	Insertable in the slot lengthwise, flush with the cylinder profile	Contacting	Cable, 3-wire	7.5	160251	SME-8-O-K-LED-24

Ordering data – Connecting cables					Technical data → Internet: nebu
	Electrical connection, left	Electrical connection, right	Cable length [m]	Part No.	Type
	Straight socket, M8x1, 3-pin	Cable, open end, 3-wire	2.5	541333	NEBU-M8G3-K-2.5-LE3
			5	541334	NEBU-M8G3-K-5-LE3
	Straight socket, M12x1, 5-pin	Cable, open end, 3-wire	2.5	541363	NEBU-M12G5-K-2.5-LE3
			5	541364	NEBU-M12G5-K-5-LE3
	Angled socket, M8x1, 3-pin	Cable, open end, 3-wire	2.5	541338	NEBU-M8W3-K-2.5-LE3
			5	541341	NEBU-M8W3-K-5-LE3
	Angled socket, M12x1, 5-pin	Cable, open end, 3-wire	2.5	541367	NEBU-M12W5-K-2.5-LE3
			5	541370	NEBU-M12W5-K-5-LE3

Ordering data – Slot cover for T-slot					
	Assembly	Length	Part No.	Type	
	Insertable from above	2x 0.5 m	151680	ABP-5-S	

Festo - Your Partner in Automation



1 Festo Inc.
5300 Explorer Drive
Mississauga, ON L4W 5G4
Canada

Festo Customer Interaction Center
Tel: 1 877 463 3786
Fax: 1 877 393 3786
Email: customer.service.ca@festo.com



2 Festo Pneumatic
Av. Ceylán 3,
Col. Tequesquináhuac
54020 Tlalnepantla,
Estado de México

Multinational Contact Center
01 800 337 8669
ventas.mexico@festo.com



3 Festo Corporation
1377 Motor Parkway
Suite 310
Islandia, NY 11749

Festo Customer Interaction Center
1 800 993 3786
1 800 963 3786
customer.service.us@festo.com



4 Regional Service Center
7777 Columbia Road
Mason, OH 45040

Connect with us



www.festo.com/socialmedia



www.festo.com

Subject to change