

Ethernet/IP Node CPX-FB32

FESTO



Seamless Communication

The Ethernet/IP protocol provides easy-to-service technology for preventive maintenance and reduction of down-time – a single language from the operational and master-controller levels down to the harsh production environment at the field level, thanks to IP65/67 protection class. This is now possible with CPX/MPA by using the new CPX-FB32 Ethernet/IP node from Festo. This node provides a link into a Rockwell Automation environment, as well as useful IT services.

Access IT Services from Anywhere

With Industrial Ethernet, IT services such as a web server (e.g. integrated website, remote diagnosis and maintenance, visualization of process, and diagnostic data via web browser), and e-mail alarms are possible:

- Visualization of process data via web pages. This represents a less expensive alternative to costly SCADA systems. Ready-made web pages for status and diagnostic data reduce your engineering costs
- Integrated diagnostic concept and valve diagnostics, module- and channel-oriented, to increase machine availability, easily accessible via the optional CPX-MMI handheld operator interface unit

Flatten Industrial Networks

Utilize the full bandwidth of Ethernet to combine services on one network. Combine I/O, peer-to-peer, HMI, diagnostics, and IT into one, high-speed solution.

Improve Troubleshooting

CPX-FB32 lets you use existing know-how and tools to solve network issues. Using commercial, off-the-shelf (COTS) cables and testers can simplify installation, commissioning, and troubleshooting.

Main Applications

Production and process automation with high diagnostic requirements from the operational and master controller level down to the field level.

Ethernet/IP Node CPX-FB32

Technical Data

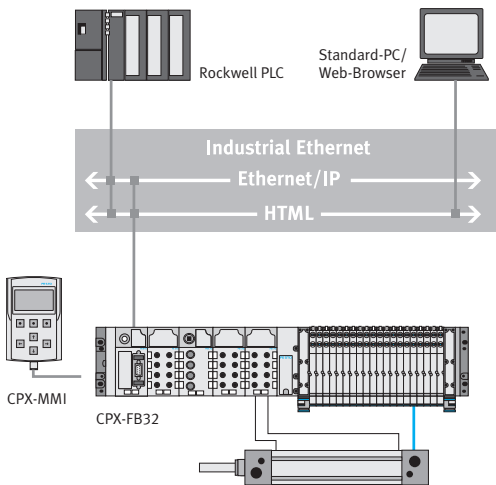
Type	CPX-FB32
Protection class	IP65/IP67
Display	Visual display of system diagnostics and network status via 8 diagnostic LEDs
Operator controls	DIL switches – settings for device type, system diagnostics and IP address
Interfaces/connections	<ul style="list-style-type: none"> • Connection for CPX-MMI • Ethernet port with 4-pin M12 D-coded connector system (Transmission rates 10/100 Mbits/s)
Ethernet	Industrial Ethernet protocol: Ethernet/IP
IP addressing	Allocation of IP address via: <ul style="list-style-type: none"> • DIL switches • DHCP/BootP protocol • CPX-MMI • Software tools
IT services	<ul style="list-style-type: none"> • Web server for remote maintenance • Remote diagnostics and visualization of process data (integrated website) • E-mail alarm • DHCP (automatic IP address allocation)
System expansion	<ul style="list-style-type: none"> • Function as remote I/O modular or distributed via Ethernet/IP • Supports full expansion of complete CPX periphery



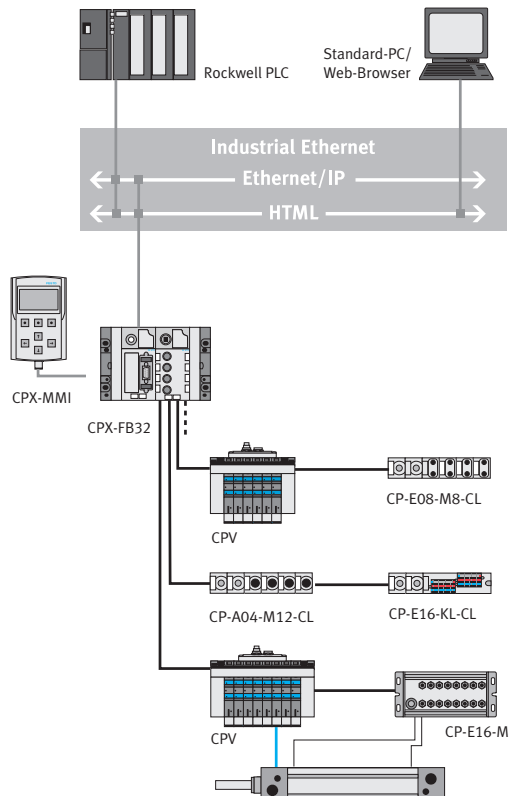
CPX-FB32 Ethernet/IP node

Control System Architecture Examples

Modular Valve Terminal – MPA Valves



Distributed Valve Terminal – CPV Valves



More Communication via the CPX-FB32 Ethernet/IP Node

In contrast to the other protocols, Ethernet/IP allows not only I/O communication but also unparalleled bandwidth plus a wide range of IT functions such as:

- Status and device data accessible at any desired point within a network
- E-mail alarms
- Visualization via web browser



Festo Corporation

For ordering assistance, or to find your nearest Festo Distributor,
Call: 1.800.99.FESTO
Fax: 1.800.96.FESTO
Email: customer.service@us.festo.com
Visit: www.festo.com/us

For technical support,
Call: 1.866.G0.FESTO
Fax: 1.800.96.FESTO
Email: product.support@us.festo.com