

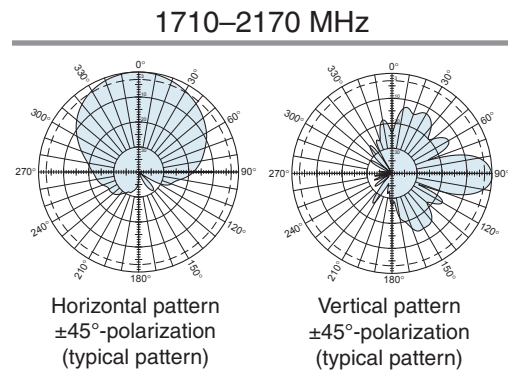
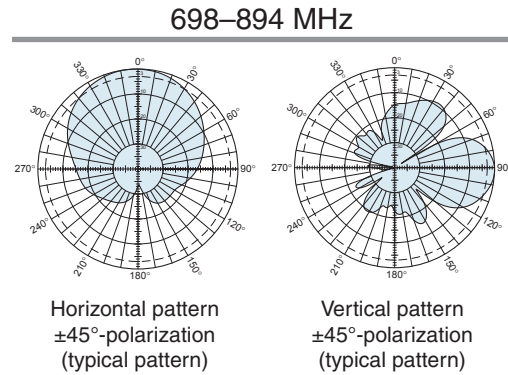
Kathrein's multi-band antennas are ready for 4G applications, covering all existing wireless bands for AMPS, PCS and 3G/UMTS as well as all spectrum under consideration for future systems. These cross-polarized antennas offer diversity operation in the same space as a conventional 800 MHz antenna, and are mountable on our compact sector brackets.

- Wide band operation.
- Exceptional intermodulation characteristics.
- High strength pultruded fiberglass radome.

**General specifications:**

Frequency range	698–894 MHz 1710–2170 MHz
Impedance	50 ohms
VSWR	<1.5:1
Intermodulation (2x20w)	IM3: <-150 dBc
Polarization	+45° and -45°
Connector	4 x 7-16 DIN female
Isolation intrasystem	>30 dB
Weight	15.9 lb (7.2 kg) 20.3 lb (9.2 kg) clamps included
Dimensions	23.3 x 10.6 x 6.2 inches (593 x 270 x 157 mm)
Wind load Front/Side/Rear	at 93 mph (150kph) 37 lbf / 21 lbf / 56 lbf (163 N) / (92 N) / (245 N))
Wind survival rating*	120 mph (200 kph)
Shipping dimensions	29 x 11.9 x 7.6 inches (736 x 302 x 192 mm)
Shipping weight	23.6 lb (10.7 kg)
Mounting	Fixed mounts for 2 to 4.6 inch (50 to 115 mm) OD masts are included. Tilt mount options are available.

*See reverse for order information.*

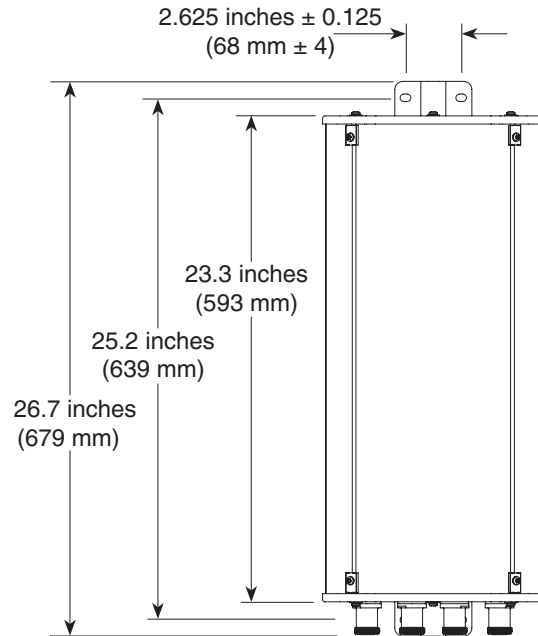
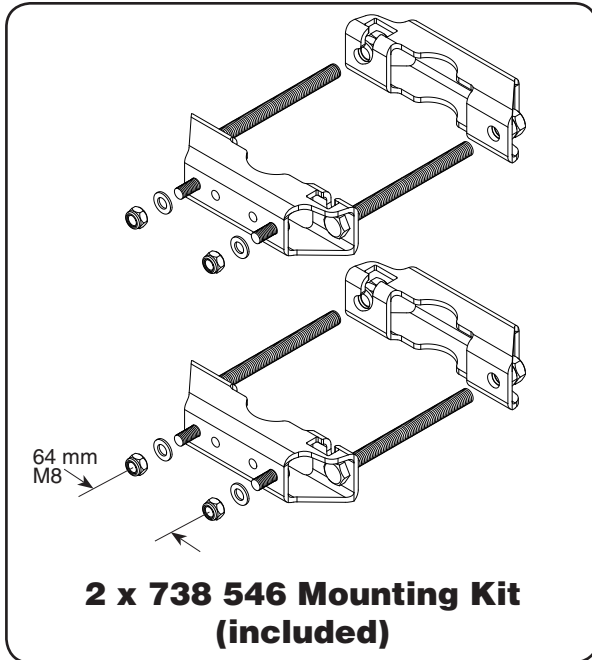


Specifications:	698–806 MHz	806–894 MHz	1710–1755 MHz	1850–1990 MHz	2110–2170 MHz
Gain	10.5 dBi	11 dBi	13.3 dBi	13.5 dBi	12.8 dBi
Front-to-back ratio	>25 dB (co-polar)	>25 dB (co-polar)	>30 dB (co-polar)	>30 dB (co-polar)	>30 dB (co-polar)
Maximum input power	250 watts (at 50°C)	250 watts (at 50°C)	200 watts (at 50°C)	200 watts (at 50°C)	200 watts (at 50°C)
+45° and -45° polarization horizontal beamwidth	71° (half-power)	68° (half-power)	61° (half-power)	63° (half-power)	70° (half-power)
+45° and -45° polarization vertical beamwidth	37° (half-power)	31° (half-power)	19° (half-power)	18° (half-power)	18.5° (half-power)
Cross polar ratio (typical)					
Main direction 0°	30 dB	30 dB	25 dB	25 dB	25 dB
Sector ±60°	>8 dB	>8 dB	>8 dB	>8 dB	>8 dB

\* Mechanical design is based on environmental conditions as stipulated in TIA-222-G-2 (December 2009) and/or ETS 300 019-1-4 which include the static mechanical load imposed on an antenna by wind at maximum velocity. See the Engineering Section of the catalog for further details.

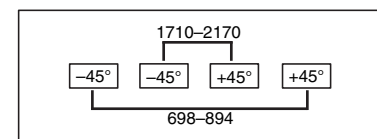
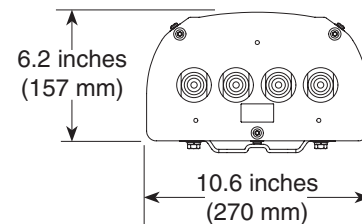


11241-D



**Mounting Options:**

Model	Description
2 x 738 546 (included)	Mounting Kit for 2 to 4.6 inch (50 to 115 mm) OD mast.
850 10013	Tilt Kit for use with the 2 x 738 546 mounting kit 0–34 degrees downtilt angle.



Layout of interface

Profile PA3

**Order Information:**

Model	Description
840 10525	Antenna with 7-16 DIN connectors

All specifications are subject to change without notice. The latest specifications are available at [www.kathrein-scala.com](http://www.kathrein-scala.com).