

Liebert™ ACV Series (Accuvar) Technical Specification

Facility Wide Surge Protection

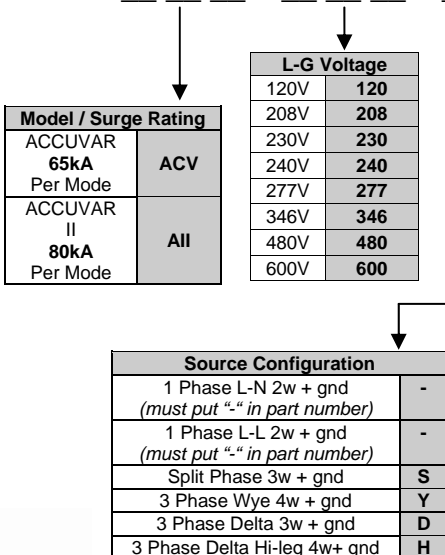


General Specifications	
Maximum Continuous Operating Voltage	120VAC 125%, all others 115%
Short Circuit Current Rating (SCCR)	200kAIC
Operating Frequency Range	47-63Hz
EMI/RFI Noise Rejection	63dB Max
Location Type	Type 1(R and RK models); Type 2 (RE and RKE models)
Nominal Discharge Current (In)	20kA
Standard Status Indication	LEDs, Audible Alarm
Certifications	ANSI/UL 1449 Third Edition; UL 1283 (Type 2 locations); cUL; CE
Standard Enclosure	NEMA 4X
Weight	6.5 lbs (3 kgs)
Warranty	10 Years Replacement

UL 1449 Third Edition, Type 1 VPRs				
Configuration	L-N	L-G	L-L	N-G
120S, 120Y	600	700	900	600
240D		1000	1200	
230Y, 277Y	1000	1000	1800	900
346Y	1500	1500	2500	1200
480D		1800	3000	
600D		1800	4000	

Life Cycle Surge Testing (10kA, 20kV, IEEE Cat. C3)		
Unit	Per Mode	Per Phase
ACV	6,000	12,000
All	8,000	16,000

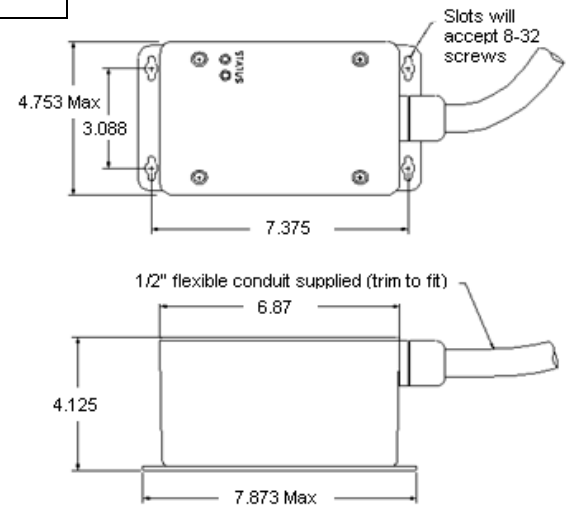
Model



Monitoring Options		
Standard Options – (Red & Green LED's, Audible Alarm with Enable/Disable Feature)		R
Standard Options + Enhanced EMI/RFI Filtering		RE
Standard Options + Alarm Relay Contacts		RK
Standard Options + Enhanced EMI/RFI Filtering, & Alarm Relay Contacts		RKE

Mode Required ?	YES	NO
L-N OR L-L	1	0
L-G	1	0
N-G	1	0

Example: "111" = All Modes of Protection



Example Part Number: ACV277Y111RKE
130kA Per Phase, 277/480V, 3-Phase Wye, All Mode, LED's, Audible Alarm with Enable/Disable feature, Enhanced EMI/RFI Filtering, Alarm Relay Contacts

Emerson Network Power.
The global leader in enabling Business-Critical Continuity™.

- AC Power
- Embedded Computing
- Outside Plant
- Racks and Integrated Cabinets
- Connectivity
- Embedded Power
- Power Switching & Controls
- Services
- DC Power
- Monitoring
- Precision Cooling
- Surge Protection

EmersonNetworkPower Contact Information

EmersonNetworkPower.com

Headquarters

Surge Protection
100 Emerson Parkway
Binghamton, NY 13905
P (607) 721 8840
P (800) 288 6169
F (607) 722 8713
E contactsurge@emerson.com

