

Module Specifications

Ambient Conditions

- Storage temperature: -40C - 85C
- Operating temperature: 0C - 60C
- Humidity: 5-90% non-condensing

Maximum Module Power Dissipation

- 13.7 Watts

Dimensions

- Height: 11.75 inches
- Width: 1.25 inches
- Depth: 7.375 inches

System Power Requirements

- +5 volts: 2750 ma
- +12 volts: 55 ma
- -12 volts: 5 ma

Output Circuit

- Number of channels: 4
- Output ranges: ± 5 volts, 10 ma max
 ± 8 volts, 10 ma max
 ± 10 volts, 10 ma max
4-20 ma, external power supply required (12-48 volts)
load impedance ≤ 500 ohms.
- Resolution: voltage outputs -12 bits including sign
4-20 ma - 11 bits (sign bit always 0)
- Accuracy: $\pm 0.10\%$ of full scale (voltage output)
 $\pm 0.15\%$ of full scale (current output)
- Output Filter: ± 5 Volts - first order 200 Hz low pass
 ± 8 Volts - first order 125 Hz low pass
 ± 10 Volts - first order 100 Hz low pass
4-20 ma - none
- Voltage outputs short-circuit protected
- Each channel individually isolated
- 2500 volt isolation between logic common and outputs

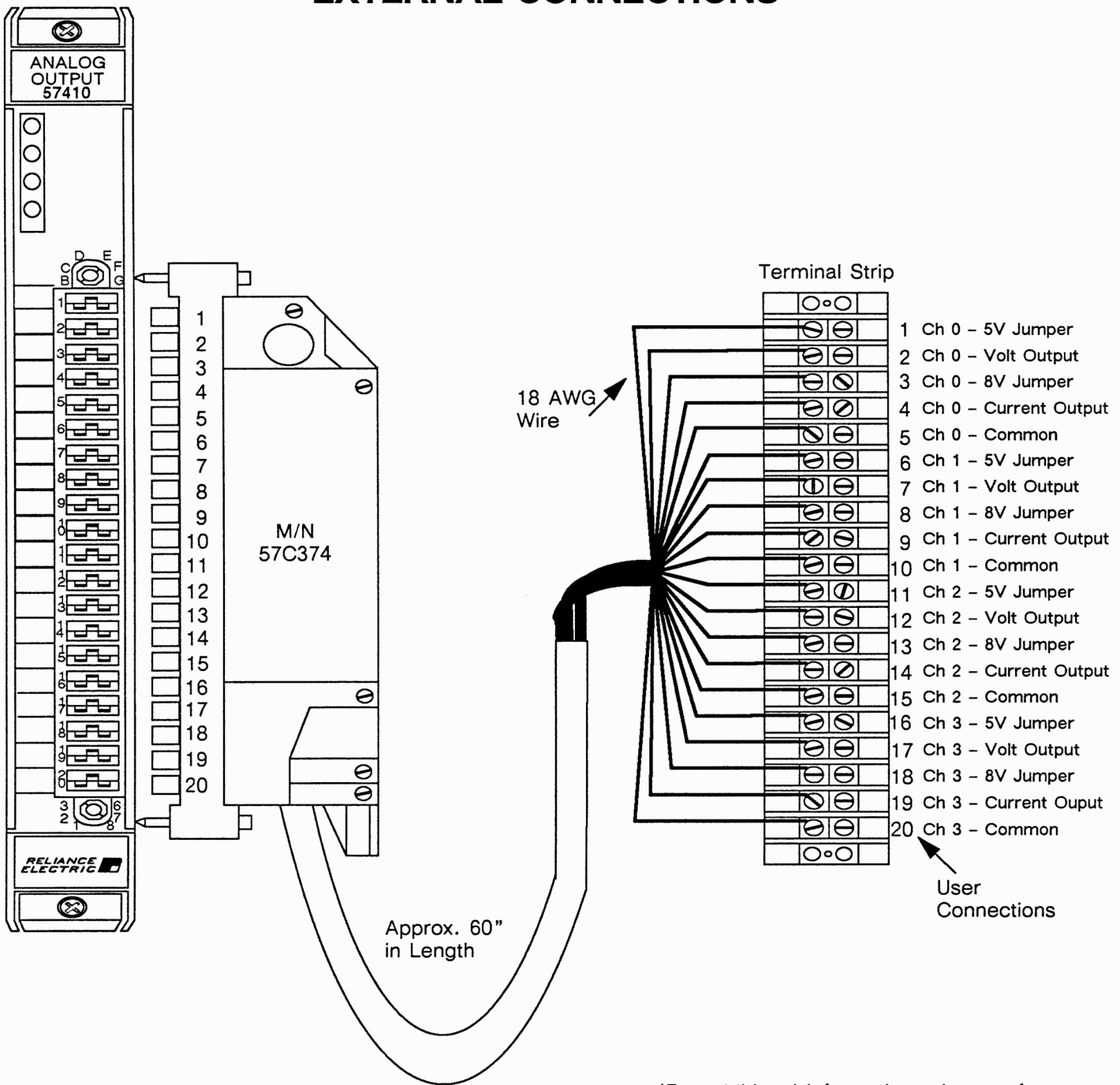
Reliance
Electric

Industrial

CONTROLS

J-3710

EXTERNAL CONNECTIONS



(For additional information, please refer to the 4-Channel Analog Output Module Instruction Manual, J-3631)

www.rockwellautomation.com

Power, Control and Information Solutions Headquarters

Americas: Rockwell Automation, 1201 South Second Street, Milwaukee, WI 53204-2496 USA, Tel: (1) 414.382.2000, Fax: (1) 414.382.4444

Europe/Middle East/Africa: Rockwell Automation NV, Pegasus Park, De Kleetlaan 12a, 1831 Diegem, Belgium, Tel: (32) 2 663 0600, Fax: (32) 2 663 0640

Asia Pacific: Rockwell Automation, Level 14, Core F, Cyberport 3, 100 Cyberport Road, Hong Kong, Tel: (852) 2887 4788, Fax: (852) 2508 1846

Printed in U.S.A.

J-3710

January 1988