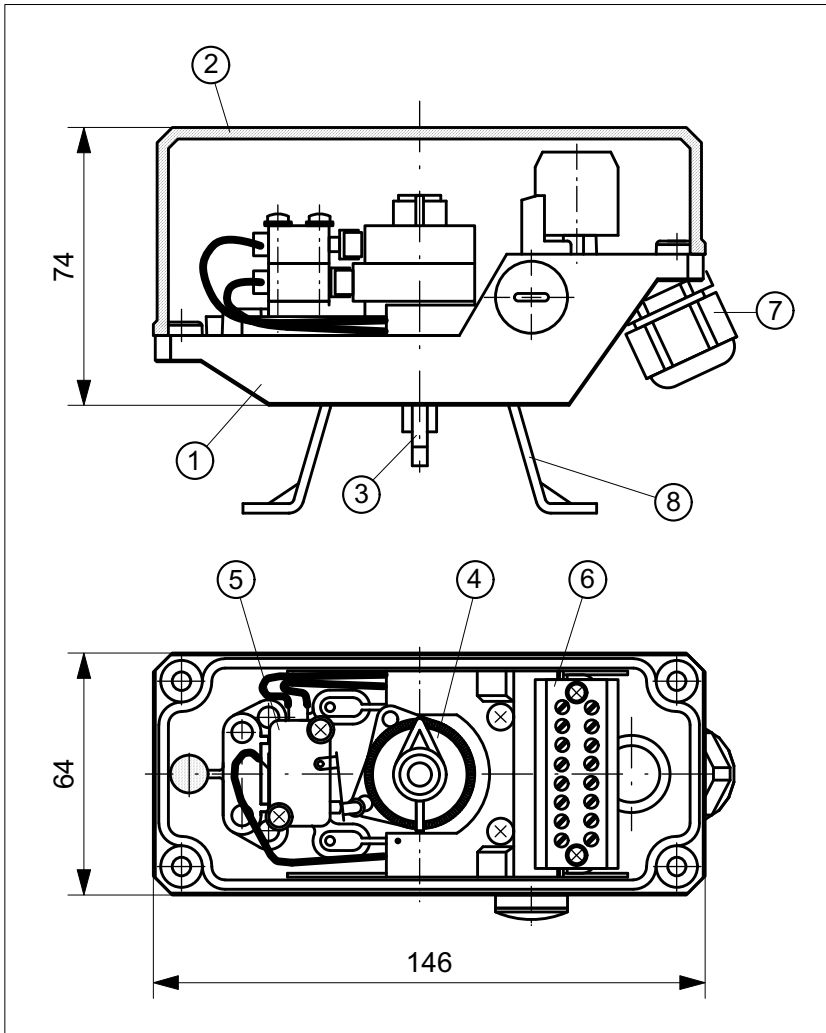




TCR3MVAZ

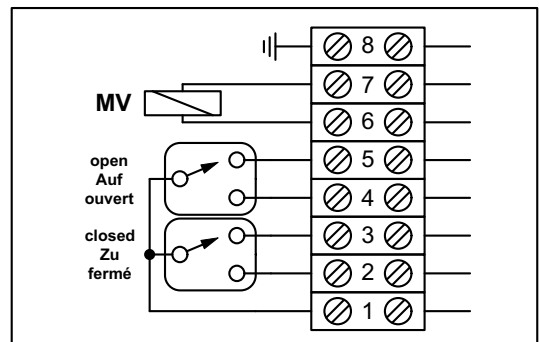
TCR-Module with two micro switches Crouzet 83.161.301
in TCR-Housing 146 x 64 x 74 mm



TECHNICAL DATA

Manufacturer: Crouzet
 Type: 83.161.301
 Micro switch
 Switching capacity: 4 A, 250 V AC
 Contacts: Silver-Nickel
 Economic life-time: 2×10^7 switching cycles
 Temperature: -25 ... +85°C
 Housing base: Vestamid, black
 Housing Cover: Macrolon, clear
 Sealing: EPDM
 Ingress protection: IP65
 Switching precision: <math><1.5^\circ</math>
 System connection: Cable gland M20x1,5
 Clamp. range 8-13 mm

WIRING DIAGRAM



OBJECT LIST

Pos.	Pcs.	Description	Material
1	1	Housing base	Vestamid
2	1	Housing cover	Macrolon
3	1	TCR-Axis	POM
4	1	Switch cam system	POM
5	2	Micro switch	-
6	1	Terminal block, 8-pole	-
7	1	Cable gland M20x1,5	-
8	1	Bracket size 1 - 4	A2

ARA

PNEUMATIK

53-012 Wrocław tel. 71 364 72 85
ul. Wysięgowa 38 fax 71 364 72 83

www.arapneumatik.pl



created: 29.10.09 / SH
checked: 29.10.09 / WD
status: 13.03.15

Im Katzentach 16-18 Telefon: 07243-59 31-0 e-Mail: info@rotech.de
D-76275 Ettlingen Telefax: 07243-59 31-31 Internet: www.rotech.de

ROTECH

SYSTEMKOMPONENTEN