

Presentation

- 1 Discrete I/O extension modules with 20-way HE 10 connectors. The modular sizes available are 16 or 32 I/O.
- 2 16 channel sub-base (**ABE 7E16EPN20** or **ABE 7E16SPN20**) for input or output extension modules.
- 3 16 channel sub-base (**ABE 7E16SPN22** or **ABE 7E16SRM20**) for output extension modules.
- 4 Cable (**ABF T20E●●0**) equipped with a 20-way HE 10 connector at each end. This cable is available in 0.5, 1, 2 and 3 m lengths (AWG 28/ 0.08 mm²).

Compatibility with Twido I/O extension modules

		1 Discrete I/O extension modules with 20-way HE10 connectors	
		Inputs	Outputs (source)
		TM2 DDI 16DK (16 inputs)	TM2 DDO 16TK (16 outputs)
		TM2 DDI 32DK (32 inputs)	TM2 DDO 32TK (32 outputs)
4 Connection to I/O extension modules		ABF T20E●●0 (HE 10, 20-ways)	
2 Passive sub-bases	16 channels	ABE 7E16EPN20	
		ABE 7E16SPN2●	
3 Output adapter base	16 channels	ABE 7E16SRM20	



ABE 7E16EPN20



ABE 7E16SRM20

References

For discrete I/O extension modules

Number of inputs	Type of inputs	Compatibility TM2	LED per channel	Fuse	Reference	Weight kg
16	Sink 24 V	DDI16DK DDI32DK	No	No	ABE 7E16EPN20	0.430

Number of outputs	Type of outputs	Compatibility TM2	LED per channel	Fuse	Reference	Weight kg
16	Source 24 V	DDO16TK DDO32TK	No	No	ABE 7E16SPN20	0.450
			Yes	Yes	ABE 7E16SPN22	0.450
	Relais 24/~ 250 V, 3 A	DDO16TK DDO32TK	No	No	ABE 7E16SRM20	0.430

Connection cordset for discrete I/O extension modules

Type of signal	Compatibility TM2	Type of connection	Gauge/ C.s.a.	Length (1)	Reference	Weight kg	
Discrete inputs/ outputs	DDI16DK DDI32DK DDO16TK DDO32TK	HE 10	HE 10	AWG 28 0.08 mm ²	0,5 m	ABF T20E050	0.060
		20-ways	20-ways		1 m	ABF T20E100	0.080
					2 m	ABF T20E200	0.140

Accessories (2)

Description	Number of shunted terminals	Characteristics	Sold in lots of	Unit reference	Weight kg
Optional snap-on terminal blocks	20	–	5	ABE 7BV20	0.060
	12 + 8	–	5	ABE 7BV20TB	0.060
Quick-blow fuses for ABE 7E16SPN22 sub-bases 5 x 20, 250 V, UL	–	0.125 A	10	ABE 7FU012	0.010
	–	0.315 A	10	ABE 7FU030	0.010
	–	1 A	10	ABE 7FU100	0.010
	–	2 A	10	ABE 7FU200	0.010

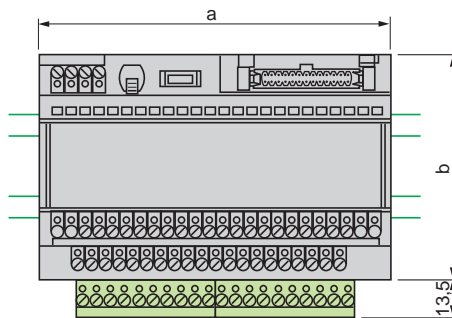
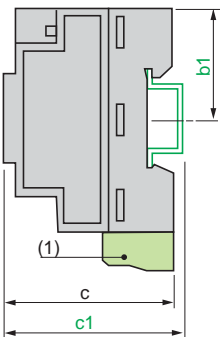
(1) For lengths > 2 m, please contact us.

(2) Separate components, please consult our catalogue "Twido programmable controller"

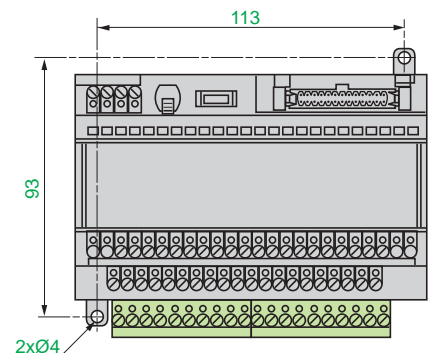
Dimensions

ABE 7E16EPN20, ABE 7E16SPN22, ABE 7E16SRM20

Mounting on 35 mm rail



Screw fixing (retractable lugs with ABE 7E16SPN22 and ABE 7E16SRM20)



ABE	a	b	c	b1	c1
7E16EPN20	106	49	60	24	64
7E16SPN20	106	49	60	24	64
7E16SPN22	130	83	62.5	41.5	67.5
7E16SRM20	130	83	62.5	41.5	67.5

(1) ABE 7BV20, ABE 7BV20TB.