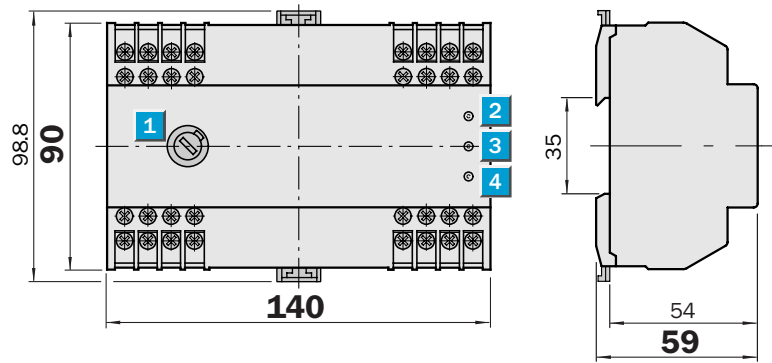


EN 3 Switching units

Features

- Universal supply voltage
- 2 inputs, each with a relay output
- Housing with snap fastening for support rail DIN 46277

Dimensional drawing

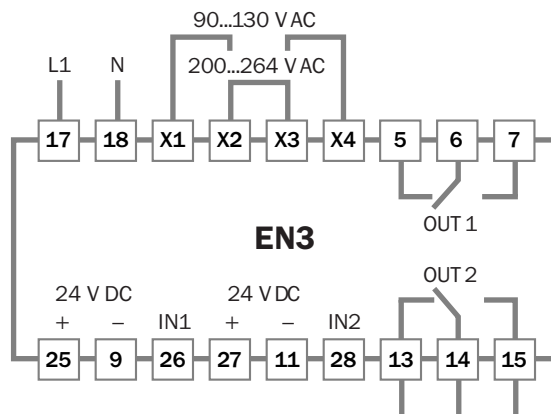


- 1 Fuse (250 V/0.25 A)
- 2 Display IN 1
- 3 Operating display
- 4 Display IN 2



Connection diagram

EN 3

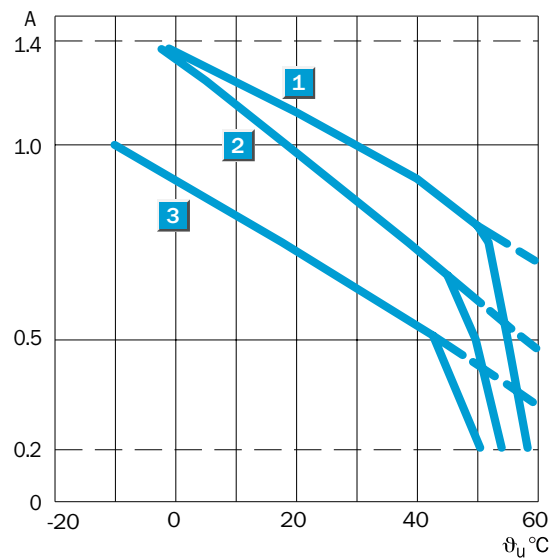


Technical data		EN 3									
Supply voltage V_s	90...130 V AC or 200...264 V AC ¹⁾ (can be reset using bridges)										
Mains frequency	48...62 Hz										
Power consumption	env. 40 VA										
Outputs											
Supply voltage for sensor	24 V DC \pm 25 %										
Output current (total)	1.4 A in total, see load graph, output current										
Min. load	200 mA										
Relay output											
	5/6/7(OUT 1) and 13/14/15 (OUT 2)										
Switching voltage, max.	250 V AC										
Switching current, max.	2 A										
Switching frequency	20/s										
Inputs for PNP, NPN²⁾ and B											
sensor inputs											
	26 (IN 1), 28 (IN 2)										
Input voltage	10...30 V DC										
HIGH	> 10 V DC										
LOW	< 6 V DC										
VDE protection class¹⁾											
	<input type="checkbox"/>										
Enclosure rating											
	IP 20										
Ambient temperature											
	Operation -25 °C...+55 °C										
	Storage -40 °C...+70 °C										
Shock load											
	Complying with IEC 68										
Weight											
	Approx. 970 g										
Housing material											
	Plastic										

¹⁾ Delivery 200...264 V AC

²⁾ External pull-up resistor \leq 10 k Ω required for NPN variant

Load curve, output current



Order information

Type	Order no.
EN 3	6 009 692