

multi
box

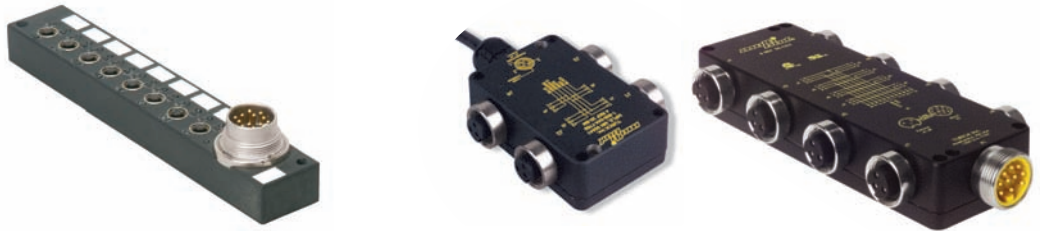
- Five *multibox* families available:
eurofast[®], *picofast*[®], *pentafast*[®], *minifast*[®] and *microfast*[®].
- Multiple port and pin options with or without LEDs.



multibox® Selection Guide



Junction Box Style	euromax®	euromax®
Page	M5 - M52	M53 - M62



Junction Box Style	pentafast®	minifast®
Page	M63 - M66	M67 - M80



Junction Box Style	microfast®	Accessories (splitters, caps, labels, jumpers)
Page	M81 - M84	M85 - M86

eurofast® Standard and Low Profile Junction Box Part Number Keys

Note: Part Number Keys are to assist in IDENTIFICATION ONLY. Consult Factory for catalog items not identified.



eurofast Junction Box

Housing Material

(Blank) = Nylon, Connectors on Top
M = Metal, Connectors on Side

Number of Ports, Wiring

- 2x20 = 4 Ports, 1 Signal Per Port, Isolated Power Supply
- 2x30 = 6 Ports, 1 Signal Per Port, Isolated Power Supply
- 2x40 = 8 Ports, 1 Signal Per Port, Isolated Power Supply
- 40N = 4 Port, NAMUR, 1 Signal Per Port, Common Positive
- 40x1N = 4 Port, NAMUR, 1 Signal Per Port, Isolated Circuit
- 40 = 4 Ports, 1 Signal Per Port
- 40.5 = 4 Ports, 2 Signals Per Port
- 40.5N = 4 Port, NAMUR, 2 Signals Per Port, Common Positive
- 4x1.5N = 4 Port, NAMUR, 2 Signals Per Port, Isolated Circuit
- 60 = 6 Ports, 1 Signal Per Port
- 60.5 = 6 Ports, 2 Signals Per Port
- 80 = 8 Ports, 1 Signal Per Port
- 80.5 = 8 Ports, 2 Signals Per Port

Varieties

- /S90 = PUR Jacket
- /S .. = Consult Factory, Special
- /CS .. = Consult Factory, Special

Connection Type

- * = Length of Integral Home Run Cable in Meters
- CS y = **multifast** Connectors, y = Number of Pins
- B1161 = **minifast** Connector, 6-pin
- H1151 = **eurofast** Connector, 5-pin

LED Options

- (Blank) = No LEDs
- P7Xn = PNP LEDs, n = Number of LEDs
- N7Xn = NPN LEDs, n = Number of LEDs



Number of Ports

- 4 = 4-ports
- 8 = 8-ports

multibox

Housing Material

(Blank) = Nickel Plated Brass
V = 316 Stainless Steel

Port Connector Type

- M12 = miniature eurofast 12 = eurofast
- 12Z = eurofast - low profile

Port Pin Count

- 4 = 4 pin
- 5 = 5 pin

LED Type

- (Blank) = no LED
- P = PNP LED
- N = NPN LED

Connection Type

- CS 12 = 12 pin M23 male receptacle
- CS 19 = 19 pin M23 male receptacle
- CSV 12 = 12 pin M23 male stainless steel receptacle
- CSV 19 = 19 pin M23 male stainless steel receptacle
- * = Cable length
- *-CSM12 = Molded 12 pin M23 male/female
- *-CSSM12 = Molded 12 pin M23 male/male
- *-CSM19 = Molded 19 pin M23 male/female
- *-CSSM19 = Molded 19 pin M23 male/male
- RSF 120 = 12 pin minifast male, receptacle
- RSF 190 = 19 pin minifast male, receptacle
- *-RSM 120 = Molded 12 pin minifast male
- FK = Terminal chamber w/spring clamp
- SK = Terminal chamber w/screw clamp
- _H = Side exit connector

Body Material (terminal chamber only)

- (Blank) = Nylon
- K = Plastic
- MS = Metal, Shielded

Number of LEDs

- 1 = power LED only
- 2 = 1 signal LED per port, 1 power LED
- 3 = 2 signal LEDs per port, 1 power LED
- 4 = 2 signal LEDs per port, 2 power LEDs

picofast® Junction Box Part Number Key



picofast Junction Box

Number of Ports

- 403 = 4-port, 1 signal per port
- 404 = 4-port, 2 signals per port
- 803 = 8-port, 1 signal per port
- 804 = 8-port, 2 signals per port
- 1003 = 10-port, 1 signal per port

Locking Method

- (Blank) = No Locking Sleeve
- Z = Locking Sleeve (Snap lock)
- M = M8x1 Threaded Coupling Nut

Connection Type

- *C = Length of Integral Home Run Cable in Meters
- BS14 = M16 Threads, 14-pins
- BS19 = M16 Threads, 19-pins
- BS1614 = M16 Threads

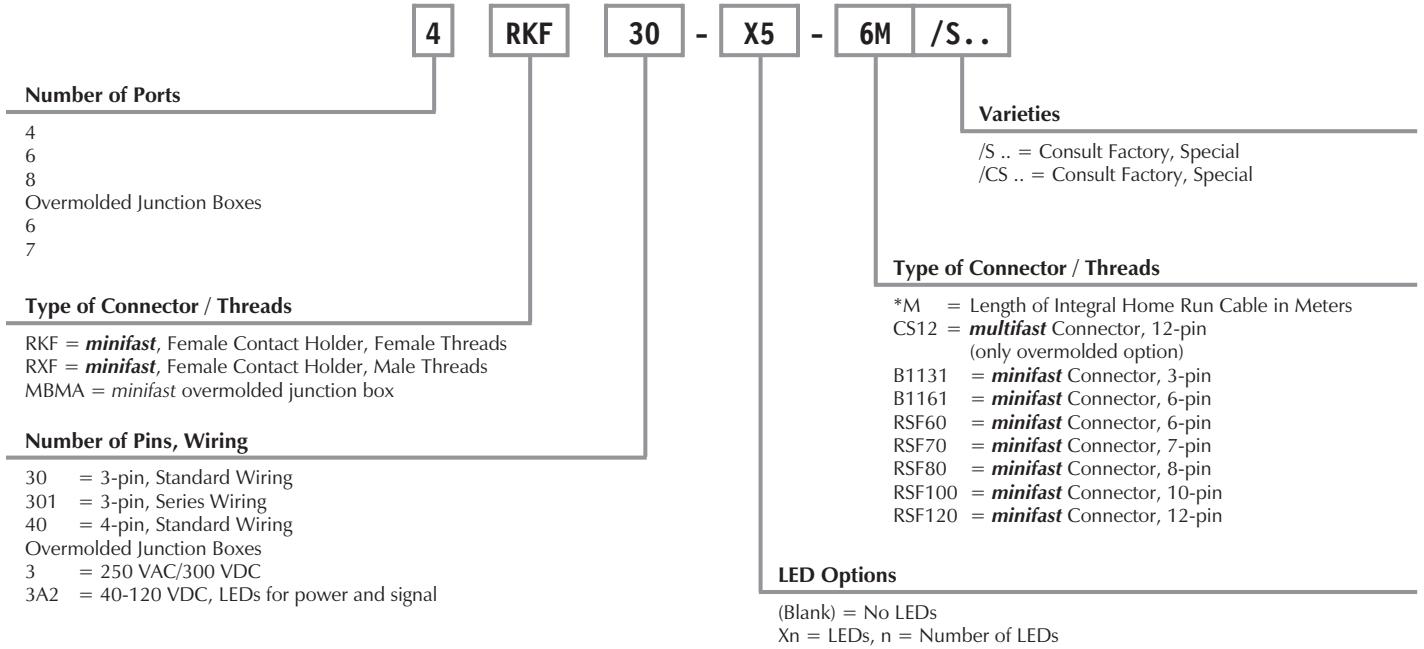
LED Options

- (Blank) = No LEDs
- PXn = PNP LEDs, n = Number of LEDs

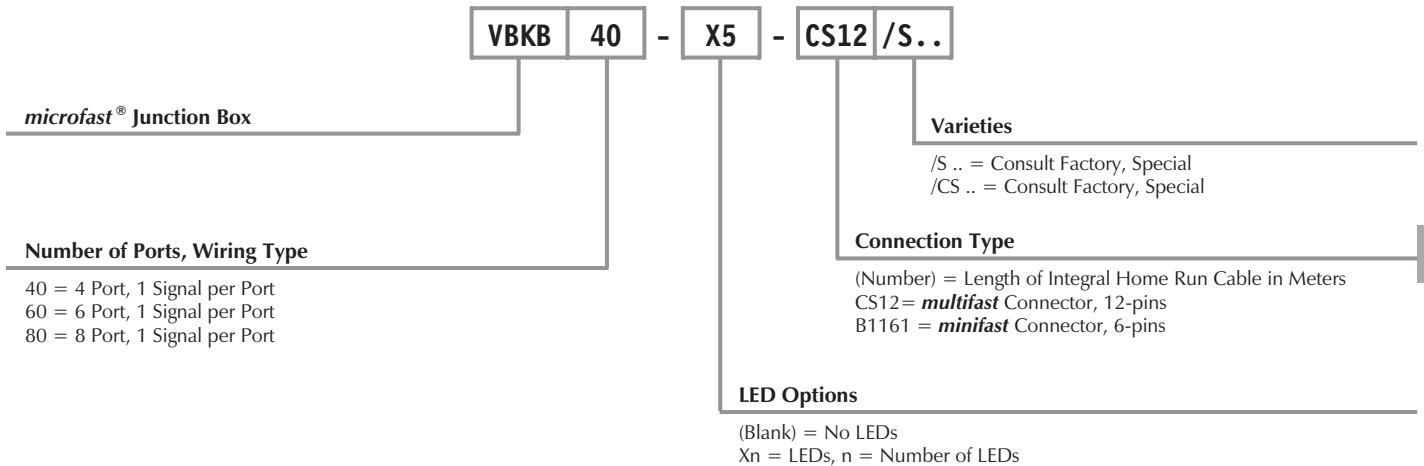
minifast® Junction Box Part Number Key

Note:

Part Number Keys are to assist in IDENTIFICATION ONLY. Consult Factory for catalog items not identified.



microfast® Junction Box Part Number Key



Multibox



multibox® eurofast® Miniature Junction Boxes, 4-port

- Single/Dual Output per Port
- Available with or without LEDs
- Splitter Option for Dual Output
- M12 or M16 Quick Disconnect or Integral Cable

4-port, 1 Signal Per Port, 10-48 VDC

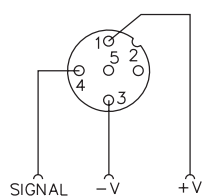
Application	Specifications	Pinout		No LEDs	PNP LED	NPN LED		
4-port J-box 1 signal per port Integral cable	4 A/port 2 A total - 1 power pair 4 A total - dual power Yellow PVC 8/24 AWG	<u>Function</u> +V -V +V -V	<u>Color</u> BN BU PK RD	<u>Function</u> Port 1/4 Port 2/4 Port 3/4 Port 4/4	<u>Color</u> WH GN YE GY	4MBM12-4-*C	4MBM12-4P2-*C	4MBM12-4N2-*C
4-port J-box 1 signal per port 316 stainless steel Integral cable	4 A/port 2 A total w/1 power pair 4 A total w/dual power 8-pin eurofast connector 8 conductors Mates with RKC 8.8T	<u>Function</u> +V -V +V -V	<u>Pin</u> 5 7 6 8	<u>Function</u> Port 1/4 Port 2/4 Port 3/4 Port 4/4	<u>Pin</u> 1 2 3 4	4MBM12-4-FS 8	4MBM12-4P2-FS 8	4MBM12-4N2-FS8

4-port, 1 Signal Per Port, 10-48 VDC

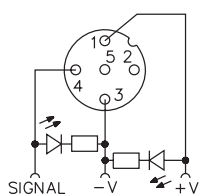
Application	Specifications	Pinout		No LEDs	PNP LED	NPN LED		
4-port J-box 2 signals per port Integral cable	4 A/port 3 A total - 1 power pair 6 A total - dual power Yellow PVC 12/24 AWG	<u>Function</u> +V -V +V -V	<u>Color</u> BN BU RD/BU GY/PK	<u>Function</u> Port 2/4 Port 2/2 Port 3/4 Port 3/2	<u>Color</u> GN RD YE BK	4MBM12-5-*C	4MBM12-5P3-*C	4MBM12-5N3-*C
4-port J-box 2 signals per port 316 stainless steel Integral cable	4 A/port 3 A total w/1 power pair 6 A total w/dual power 14-pin versafast connector 12 conductors Mates with BKM 14-917-*	<u>Function</u> +V -V +V -V	<u>Pin/Color</u> A/RD/BU L/GY/PK M/BN U/BU	<u>Function</u> Port 2/4 Port 2/2 Port 3/4 Port 3/2	<u>Pin/Color</u> E/GN R/RD O/YE G/BK	4MBM12-5-BS14	4MBM12-5P3-BS14	4MBM12-5N3-BS14
4-port J-box 2 signals per port versafast (M16) connector	4 A/port 3 A total w/1 power pair 6 A total w/dual power 14-pin versafast connector 12 conductors Mates with BKM 14-917-*	<u>Function</u> +V -V +V -V	<u>Pin/Color</u> A/RD/BU L/GY/PK M/BN U/BU	<u>Function</u> Port 2/4 Port 2/2 Port 3/4 Port 3/2	<u>Pin/Color</u> E/GN R/RD O/YE G/BK	4MBM12-5-BS14	4MBM12-5P3-BS14	4MBM12-5N3-BS14

Functional Wiring Diagrams

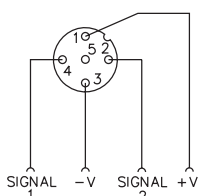
(No LED Version)
1 Signal Per Port



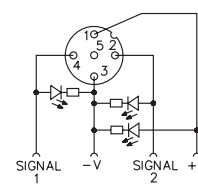
(PNP LED Version)
1 Signal Per Port



(No LED Version)
2 Signals Per Port



(PNP LED Version)
2 Signals Per Port

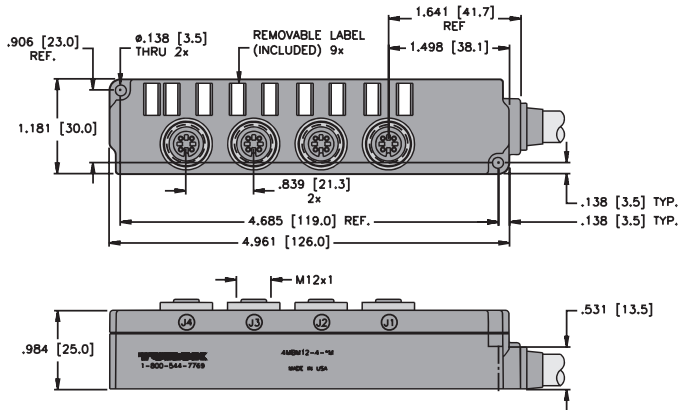


Specifications

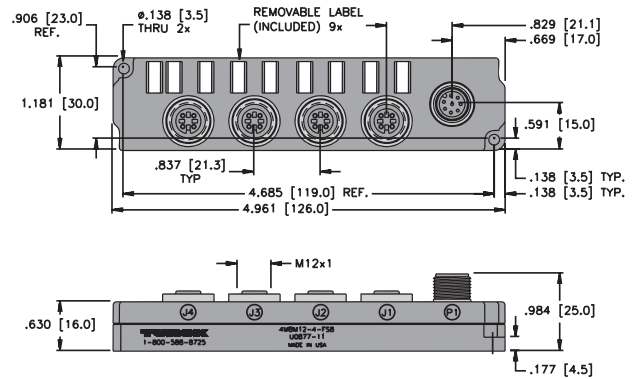
- Housing:** Nylon.
- Connectors:** PUR (M12), PETP (M16).
- Contacts:** Gold plated brass.
- Thread Inserts:** Nickel plated brass or 316 stainless steel.
- Cable:** See table.
- LED Current:** 10 mA maximum at 48 VDC supply voltage (per LED).
- Temperature:** -30°C to +80°C (-22°F to +176°F)
- Protection:** NEMA 1, 3, 4, 6P and IEC IP 67.
- Accessories:** KS 5/10 labels.
- Cable Length:** Standard length is nominal 5 meters. Other lengths available by request - Consult factory.
- Recommended Splitter:** YB2-FSM 4.5/2FKM 4.5.

Dimensions

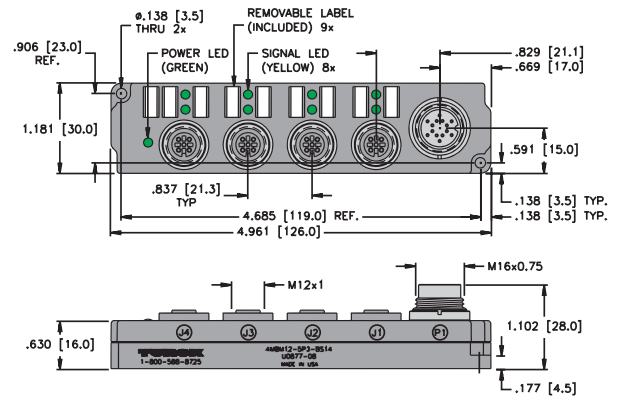
4-Port with Integral Home Run Cable



4-Port with *euromax* Home Run Connector



4-Port with *versafast* Home Run Connector



Pinout

Female	Female	Male	Male
4-Pin euromax	5-Pin euromax	8-Pin euromax	14-Pin versafast

Multibox, euromax



multibox® eurofast® Low Profile Junction Boxes, 4-Port

- Single Output per port
- Rugged Plastic Housing
- Available with or without LEDs
- M23 Quick Disconnect or Integral Home Run Cable
- Threaded M12 Connection

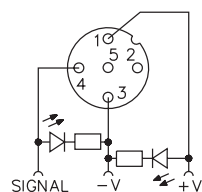
4-port, 1 Signal Per Port, 10-48 VDC

Application	Specifications	Pinout		No LEDs	PNP LED	NPN		
4-port J-box 1 signal per port, Integral cable	2 A/port, 10 A total Yellow PVC cable 7/18 AWG foil shield and 20 AWG drain	<u>Function</u> +V - V Ground	<u>Color</u> BN BU GN / YE	<u>Function</u> Port 1 Port 2 Port 3 Port 4	<u>Color</u> WH GN YE GY	4MB12Z-4-*	4MB12Z-4P2-*	4MB12Z-4N2-*
4-port J-box 1 signal per port, multifast front connector	2 A/port, 10 A total 12-pin multifast connector 7 conductors Mates with CKCM 12-7-*	<u>Function</u> +V - V Ground	<u>Pin / Color</u> 11/BN 10/BU 12 / GN/YE	<u>Function</u> Port 1 Port 2 Port 3 Port 4	<u>Pin / Color</u> 1 / WH 2 / GN 3 / YE 4 / GY	4MB12Z-4-CS	4MB12Z-4P2-CS12	4MB12Z-4N2-CS12
4-port J-box 1 signal per port, multifast side exit connector	2 A/port, 10 A total 12-pin multifast connector 7 conductors Mates with CKCM 12-7-*	<u>Function</u> +V - V Ground	<u>Pin / Color</u> 1/BN 3/BU 12 / GN/YE	<u>Function</u> Port 1 Port 2 Port 3 Port 4	<u>Pin / Color</u> 1 / WH 2 / GN 3 / YE 4 / GY	4MB12Z-4-CS12H	4MB12Z-4P2-CS12H	4MB12Z-4N2-CS12H

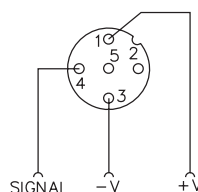
* Cable length in meters.

Functional Wiring Diagrams

**(PNP LED Version)
1 Signal Per Port**



**(No LED Version)
1 Signal Per Port**

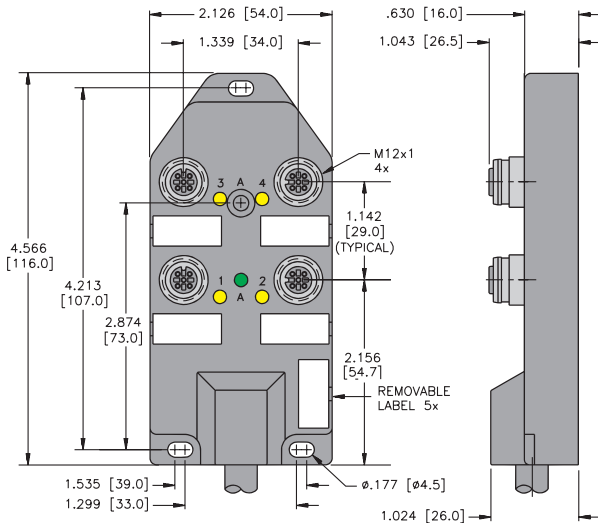


Specifications

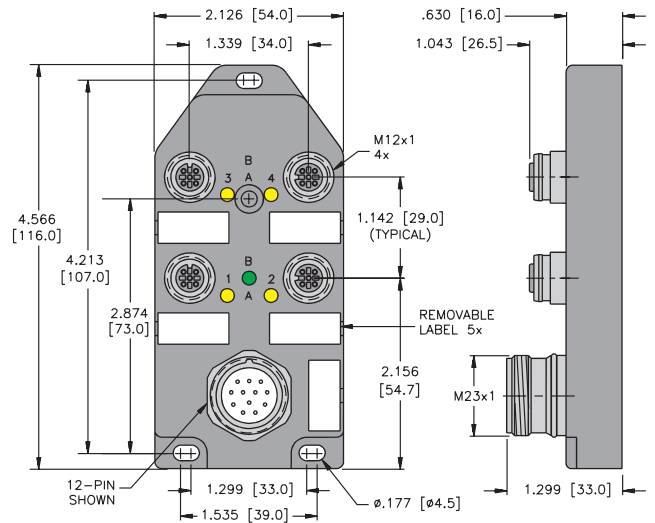
- Housing:** Nylon.
- Connectors:** **eurofast**[®]: Nylon or PUR, spacings to VDE 0110 Group C.
- Contacts:** Gold plated brass.
- Thread Inserts:** Nickel plated brass.
- Cable:** See table.
- LED Current:** 10 mA maximum at 48 VDC supply voltage (per LED).
- Temperature:** -30°C to +80°C (-22°F to +176°F)
- Protection:** NEMA 1, 3, 4, 6P and IEC IP 67.
- Accessories:** (2) VZ 3 closure caps and a VZ 12 label kit (5 labels) included.
- Cable Length:** Standard length is nominal 5 meters. Other lengths available by request - Consult factory.
- Recommended Splitters:** YB2-FSM 4.5-2 FKM 4.5.

Dimensions

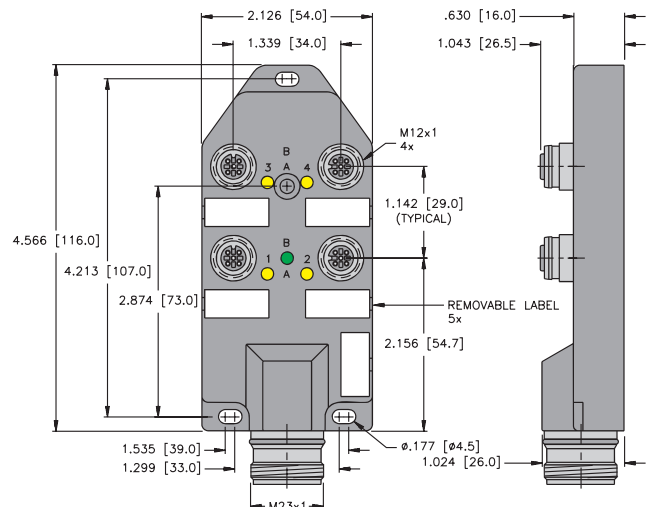
4-Port with Integral Home Run Cable



4-Port Quick Disconnect



4-Port Side Connector



Pinout

Female	Male
5-Pin eurofast	12-Pin multifast

Multibox, eurofast



multibox® eurofast® Low Profile Junction Boxes, 4-Port

- Single Output per port
- Rugged Plastic Housing
- Available with or without LEDs
- *minifast*® Quick Disconnect or Integral Home Run Cable with *minifast* Connector
- Threaded M12 Connection

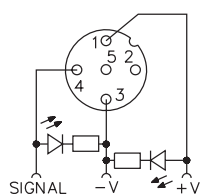
4-port, 1 Signal Per Port, 10-48 VDC

Application	Specifications	Pinout		No LEDs	PNP LEDs	NPN LEDs		
4-port J-box 1 signal per port, integral cable with <i>minifast</i> connector	2 A/port, 10 A total 12-pin <i>minifast</i> connector 7 conductors Mates with RKM 126-*M	<u>Function</u> +V - V Ground	<u>Pin / Color</u> 10 / RD 11 / WH 9 / GN	<u>Function</u> Port 1 Port 2 Port 3 Port 4	<u>Pin / Color</u> 1 / OG 2 / BU 3 / WH/BK 4 / RD/BK	4MB12Z-4-*-RSM 120	4MB12Z-4P2-*-RSM 120	4MB12Z-4N2-*-RSM 120
4-port J-box 1 signal per port, <i>minifast</i> connector	2 A/port, 10 A total 12-pin <i>minifast</i> connector 7 conductors Mates with RKM 126-*M	<u>Function</u> +V - V Ground	<u>Pin / Color</u> 10 / RD 11 / WH 9 / GN	<u>Function</u> Port 1 Port 2 Port 3 Port 4	<u>Pin / Color</u> 1 / OG 2 / BU 3 / WH/BK 4 / RD/BK	4MB12Z-4-RSF120	4MB12Z-4P2-RSF120	4MB12Z-4N2-RSF120

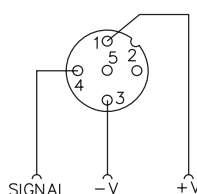
* Cable length in meters.

Functional Wiring Diagrams

**(PNP LED Version)
1 Signal Per Port**



**(No LED Version)
1 Signal Per Port**

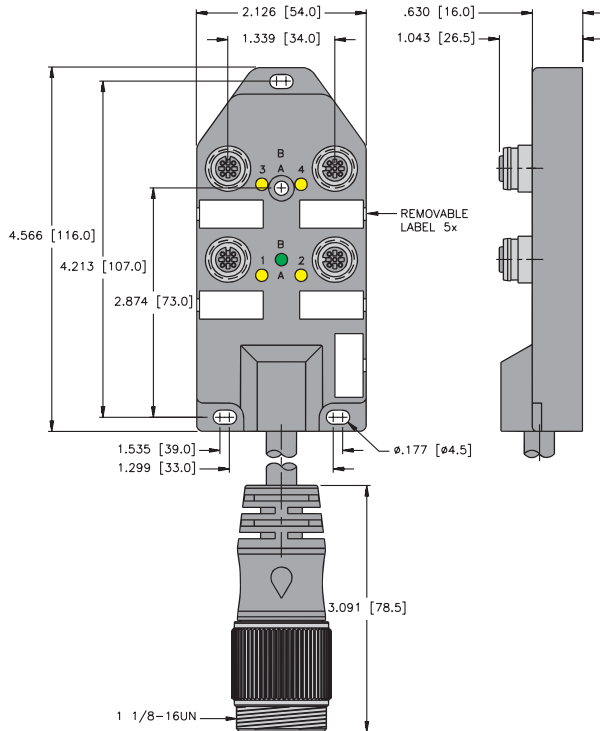


Specifications

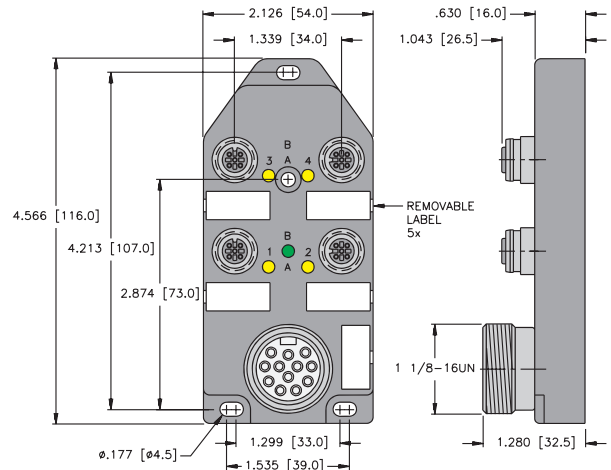
Housing:	Nylon.
Connectors:	eurofast®: Nylon or PUR, spacings to VDE 0110 Group C.
Contacts:	Gold plated brass.
Thread Inserts:	Nickel plated brass.
Cable:	See table.
LED Current:	10 mA maximum at 48 VDC supply voltage (per LED).
Temperature:	-30°C to +80°C (-22°F to +176°F)
Protection:	NEMA 1, 3, 4, 6P and IEC IP 67.
Accessories:	(2) VZ 3 closure caps and a VZ 12 label kit (5 labels) included.
Cable Length:	Standard length is nominal 5 meters. Other lengths available by request - Consult factory.
Recommended Splitters:	YB2-FSM 4.5-2 FKM 4.5.

Dimensions

4-Port, Integral Home Run with *minifast*® Connector



4-Port, *minifast* Quick Disconnect



Multibox, eurofast

Pinout

Female	Male
5-Pin eurofast	12-Pin minifast



multibox® eurofast® Low Profile Junction Boxes, 4-Port

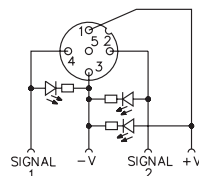
- Dual Output per port
- Rugged Plastic Housing
- Available with or without LEDs
- M23 Quick Disconnect or Integral Home Run Cable
- Threaded M12 Connection

4-port, 2 Signals Per Port, 10-48 VDC

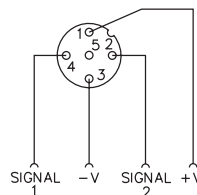
Application	Specifications	Pinout				No LEDs	PNP LED	NPN
4-port J-box 2 signals per port Integral cable	2 A/port, 10 A total Yellow PVC cable 3/18 AWG, 8/22 AWG foil shield and 20 AWG drain	<u>Function</u> +V - V Ground Port 1, Sig 1 Port 1, Sig 2	<u>Color</u> BN BU GN / YE WH GY / PK	<u>Function</u> Port 2, Sig 1 Port 2, Sig 2 Port 3, Sig 1 Port 3, Sig 2 Port 4, Sig 1 Port 4, Sig 2	<u>Color</u> GN RD / BU YE WH / GN GY BN / GN	4MB12Z-5-*	4MB12Z-5P3-*	4MB12Z-5N3-*
4-port J-box 2 signals per port multifast connector	2 A/port, 10 A total 19-pin multifast connector 11 conductors Mates with CKM 19-11-*	<u>Function</u> +V - V Ground Port 1, Sig 1 Port 1, Sig 2	<u>Pin / Color</u> 19 / BN 6 / BU 12 / GN / YE 15 / WH 7 / GY / PK	<u>Function</u> Port 2, Sig 1 Port 2, Sig 2 Port 3, Sig 1 Port 3, Sig 2 Port 4, Sig 1 Port 4, Sig 2	<u>Pin / Color</u> 5 / GN 4 / RD / BU 16 / YE 8 / WH / GN 3 / GY 14 / BN / GN	4MB12Z-5-CS19	4MB12Z-5P3-CS19	4MB12Z-5N3-CS19
4-port J-box 2 signals per port multifast , side exit connector	2 A/port, 10 A total 19-pin multifast connector 11 conductors Mates with CKM 19-11-*	<u>Function</u> +V - V Ground Port 1, Sig 1 Port 1, Sig 2	<u>Pin / Color</u> 19 / Bn 6 / Bu 12 / GN / YE 15 / WH 7 / Gy / Pk	<u>Function</u> Port 2, Sig 1 Port 2, Sig 2 Port 3, Sig 1 Port 3, Sig 2 Port 4, Sig 1 Port 4, Sig 2	<u>Pin / Color</u> 5 / GN 4 / Rd / Bu 16 / YE 8 / WH / GN 3 / Gy 14 / Bn / Gn	4MB12Z-5-CS19H	4MB12Z-5P3-CS19H	4MB12Z-5N3-CS19H

Functional Wiring Diagrams

(PNP LED Version)
2 Signals Per Port



(No LED Version)
2 Signals Per Port

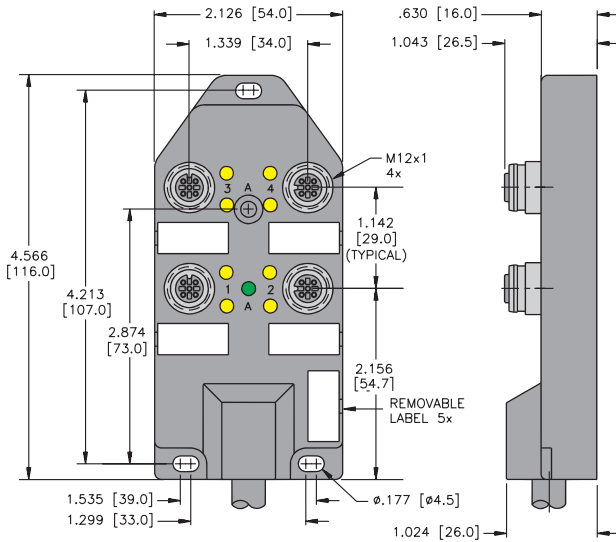


Specifications

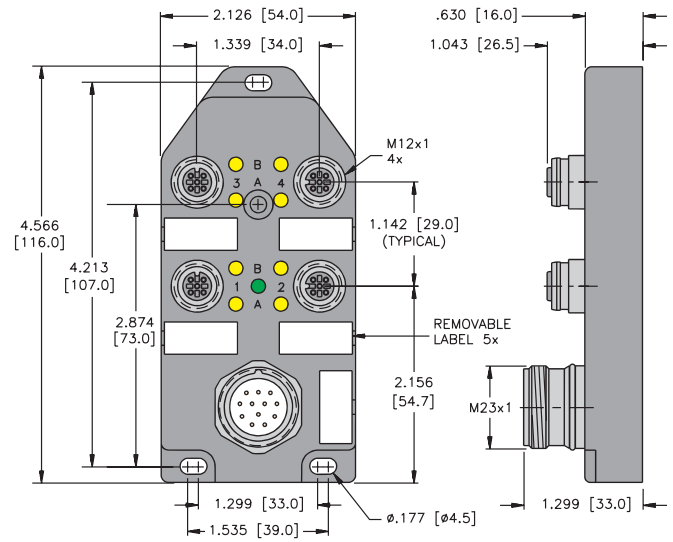
- Housing:** Nylon.
- Connectors:** **eurofast**[®]: Nylon or PUR, spacings to VDE 0110 Group C.
- Contacts:** Gold plated brass.
- Thread Inserts:** Nickel plated brass.
- Cable:** See table.
- LED Current:** 10 mA maximum at 48 VDC supply voltage (per LED).
- Temperature:** -30°C to +80°C (-22°F to +176°F)
- Protection:** NEMA 1, 3, 4, 6P and IEC IP 67.
- Accessories:** (2) VZ 3 closure caps and a VZ 12 label kit (5 labels) included.
- Cable Length:** Standard length is nominal 5 meters. Other lengths available by request - Consult factory.
- Recommended Splitters:** YB2-FSM 4.5-2 FKM 4.5.

Dimensions

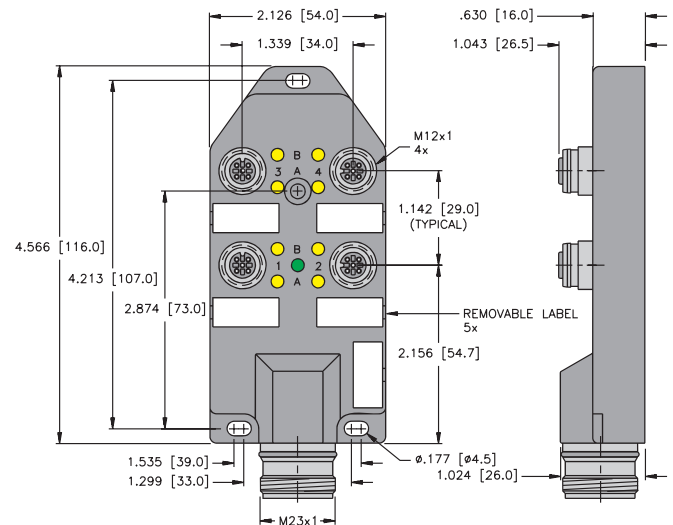
4-Port with Integral Home Run Cable



4-Port Quick Disconnect



4-Port Side Connector



Pinout

Female	Male
5-Pin eurofast	19-Pin multifast

Multibox, eurofast



multibox® eurofast® Low Profile Junction Boxes

- Single Output per Port
- Rugged Plastic Housing
- Available with or without LEDs
- M23 Quick Disconnect Integral Home Run Cable
- Threaded M12 Connection

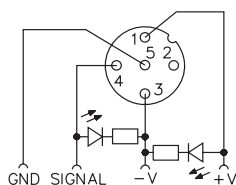
8-port, 1 Signal Per Port, 10-48 VDC

Application	Specifications	Pinout				No LEDs	PNP LED	NPN LED
8-port J-box 1 signal per port Integral cable	2 A/port, 10 A total Yellow PVC cable 11/18 AWG, foil shield and 20 AWG drain with PUR cable, add /S90	<u>Function</u> +V - V Ground Port 1 Port 2 Port 3	<u>Color</u> BN BU GN / YE WH GN YE	<u>Function</u> Port 4 Port 5 Port 6 Port 7 Port 8	<u>Color</u> GY PK RD BK VT	8MB12Z-4-*	8MB12Z-4P2-*	8MB12Z-4N2-*
8-port J-box 1 signal per port multifast connector	2 A/port, 10 A total 12-pin multifast connector 11 conductors Mates with CKCM 12-11-*	<u>Function</u> +V - V Ground Port 1 Port 2 Port 3	<u>Pin / Color</u> 11 / BN 10 / BU 12 / GN / YE 1 / WH 2 / GN 3 / YE	<u>Function</u> Port 4 Port 5 Port 6 Port 7 Port 8	<u>Pin / Color</u> 4 / GY 5 / PK 6 / RD 7 / BK 8 / VT	8MB12Z-4-CS12	8MB12Z-4P2-CS12	8MB12Z-4N2-CS12
8-port J-box 1 signal per port multifast , side exit connector	2 A/port, 10 A total 12-pin multifast connector 11 conductors Mates with CKCM 12-11-*	<u>Function</u> +V - V Ground Port 1 Port 2 Port 3	<u>Pin / Color</u> 11 / BN 10 / BU 12 / GN / YE 1 / WH 2 / GN 3 / YE	<u>Function</u> Port 4 Port 5 Port 6 Port 7 Port 8	<u>Pin / Color</u> 4 / GY 5 / PK 6 / RD 7 / BK 8 / VT	8MB12Z-4-CS12H	8MB12Z-4P2-CS12H	8MB12Z-4N2-CS12H

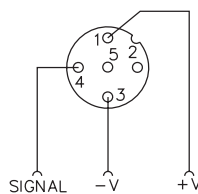
* Cable length in meters.

Functional Wiring Diagrams

**(PNP LED Version)
1 Signal Per Port**



**(No LED Version)
1 Signal Per Port**

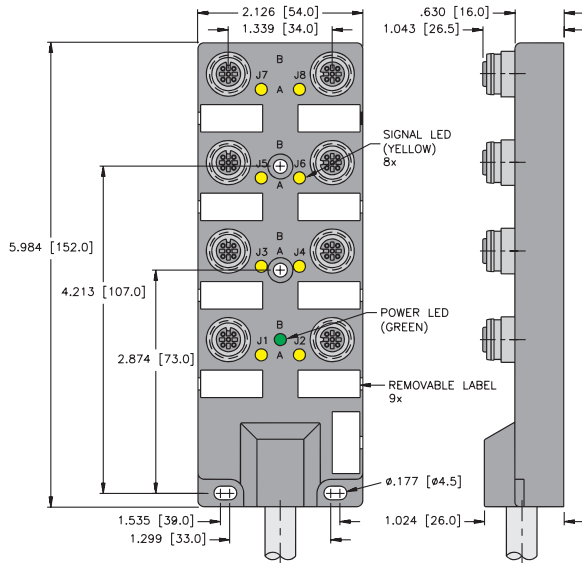


Specifications

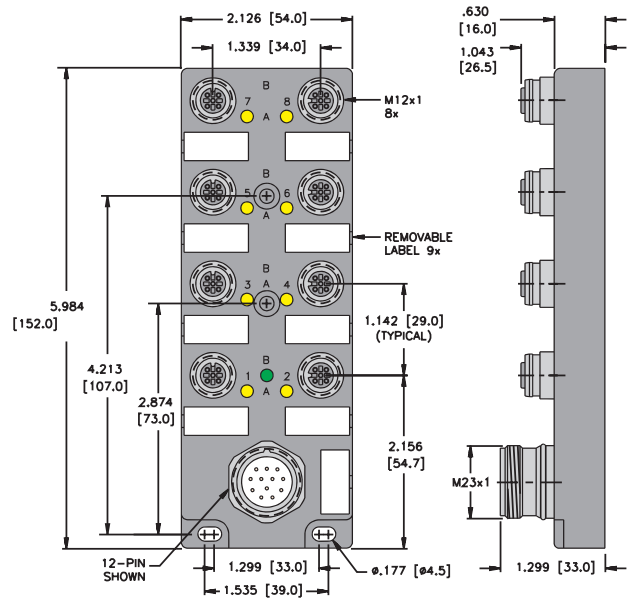
- Housing:** Nylon.
- Connectors:** **eurofast**[®]: Nylon or PUR, spacings to VDE 0110 Group C.
- Contacts:** Gold plated brass.
- Thread Inserts:** Nickel plated brass.
- Cable:** See table.
- LED Current:** 10 mA maximum at 48 VDC supply voltage (per LED).
- Temperature:** -30°C to +80°C (-22°F to +176°F)
- Protection:** NEMA 1, 3, 4, 6P and IEC IP 67.
- Accessories:** (2) VZ 3 closure caps and a VZ 12 label kit (9 labels), included.
- Cable Length:** Standard length is nominal 5 meters. Other lengths available by request - Consult factory.
- Recommended Splitter:** YB2-FSM 4.5-2 FKM 4.5.

Dimensions

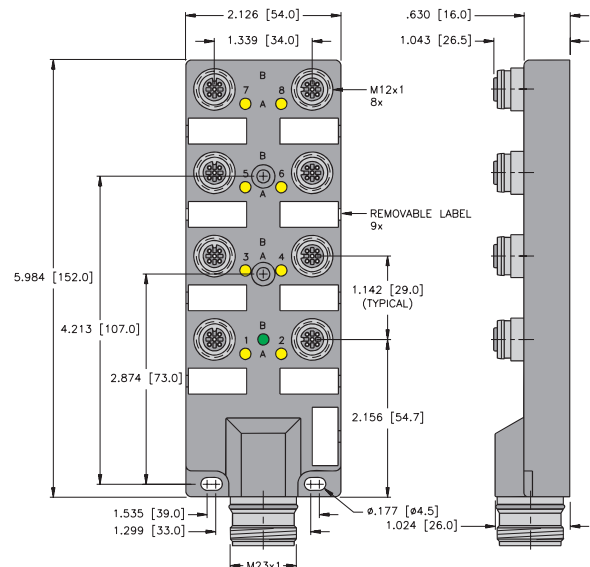
8-Port with Integral Home Run Cable



8-Port Quick Disconnect



8-Port with Side Connector



Pinout

Female	Male
5-Pin eurofast	12-pin multifast

Multibox, eurofast



multibox® eurofast® Low Profile Junction Boxes

- Single Output per Port
- Rugged Plastic Housing
- Available with or without LEDs
- **minifast®** Quick Disconnect or Integral Home Run Cable with **minifast** connector
- Threaded M12 Connection

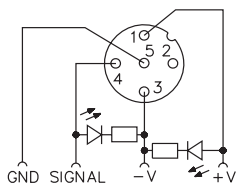
8-port, 1 Signal Per Port, 10-48 VDC

Application	Specifications	Pinout				No LEDs	PNP LEDs	NPN LEDs
8-port J-box 1 signal per port minifast connector	2 A/port, 10 A total 12-pin minifast connector 11 conductors Mates with RKM 126-*M	<u>Function</u>	<u>Pin / Color</u>	<u>Function</u>	<u>Pin / Color</u>	8MB12Z-4-*-RSM120	8MB12Z-4P2-*-RSM120	8MB12Z-4N2-*-RSM120
		+V	10 / RD	Port 4	4 / RD/BK			
8-port J-box 1 signal per port minifast connector	2 A/port, 10 A total 12-pin minifast connector 11 conductors Mates with RKM 126-*M	-V	11 / WH	Port 5	5 / GN/BK	8MB12Z-4-RSF120	8MB12Z-4P2-RSF120	8MB12Z-4N2-RSF120
		Ground	9 / GN	Port 6	6 / OG/BK			
		Port 1	1 / OG	Port 7	7 / BU/BK			
		Port 2	2 / BU	Port 8	8 / BK/WH			
		Port 3	3 / WH/BK					

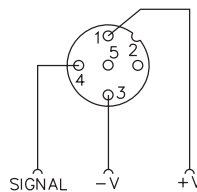
* Cable length in meters.

Functional Wiring Diagrams

**(PNP LED Version)
1 Signal Per Port**



**(No LED Version)
1 Signal Per Port**

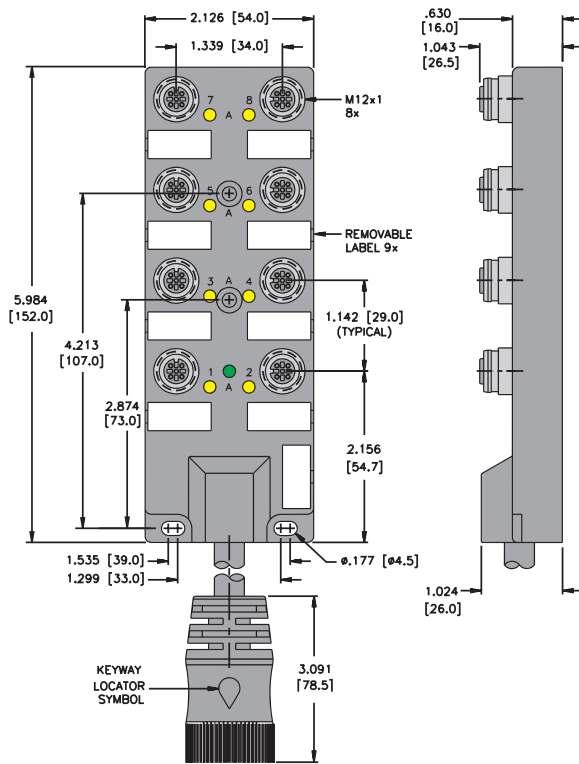


Specifications

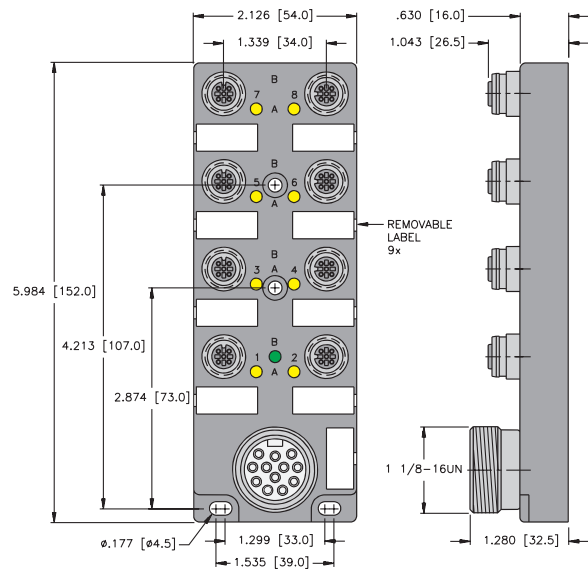
Housing:	Nylon.
Connectors:	eurofast®: Nylon or PUR, spacings to VDE 0110 Group C.
Contacts:	Gold plated brass.
Thread Inserts:	Nickel plated brass.
Cable:	See table.
LED Current:	10 mA maximum at 48 VDC supply voltage (per LED).
Temperature:	-30°C to +80°C (-22°F to +176°F)
Protection:	NEMA 1, 3, 4, 6P and IEC IP 67.
Accessories:	(2) VZ 3 closure caps and a VZ 1 label kit (8 labels), included.
Cable Length:	Standard length is nominal 5 meters. Other lengths available by request - Consult factory.
Recommended Splitter:	YB2-FSM 4.5-2 FKM 4.5.

Dimensions

8-Port Integral Home Run with *minifast*® Connector



8-Port *minifast* Quick Disconnect



Multibox, eurofast

Pinout

Female	Male
5-Pin <i>eurofast</i>	12-pin <i>minifast</i>



multibox® eurofast® Low Profile Junction Boxes

- Dual Output per Port
- Rugged Plastic Housing
- Available with or without LEDs
- M23 Quick Disconnect Integral Home Run Cable
- Threaded M12 Connection

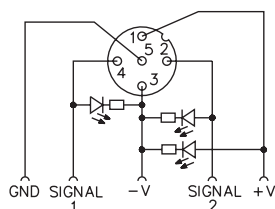
8-port, 2 Signals Per Port, 10-48 VDC

Application	Specifications	Pinout		No LEDs	PNP LED	NPN LED		
8-port J-box 2 signals per port Integral cable	2 A/port, 10 A total Yellow PVC cable 3/18 AWG, 16/22 AWG, foil shield and 20 AWG drain	<u>Function</u> +V - V Ground Port 1, Sig 1 Port 1, Sig 2 Port 2, Sig 1 Port 2, Sig 2 Port 3, Sig 1 Port 3, Sig 2	<u>Color</u> BN BU GN / YE WH GY / PK GN RD / BU YE WH / GN	<u>Function</u> Port 4, Sig 1 Port 4, Sig 2 Port 5, Sig 1 Port 5, Sig 2 Port 6, Sig 1 Port 6, Sig 2 Port 7, Sig 1 Port 7, Sig 2 Port 8, Sig 1 Port 8, Sig 2	<u>Color</u> GY BN / GN PK WH / YE RD YE / BN BK WH / GY VT GY / BN	8MB12Z-5-*	8MB12Z-5P3-*	8MB12Z-5N3-*
8-port J-box 2 signals per port multifast connector	2 A/port, 10 A total 19-pin multifast connector 19 conductors Mates with CKM 19-19-*	<u>Function</u> +V - V Ground Port 1, Sig 1 Port 1, Sig 2 Port 2, Sig 1 Port 2, Sig 2 Port 3, Sig 1 Port 3, Sig 2	<u>Pin / Color</u> 19 / BN 6 / BU 12 / GN / YE 15 / WH 7 / GY / PK 5 / GN 4 / RD / BU 16 / YE 8 / WH / GN	<u>Function</u> Port 4, Sig 1 Port 4, Sig 2 Port 5, Sig 1 Port 5, Sig 2 Port 6, Sig 1 Port 6, Sig 2 Port 7, Sig 1 Port 7, Sig 2 Port 8, Sig 1 Port 8, Sig 2	<u>Pin / Color</u> 3 / GY 14 / BN / GN 17 / PK 9 / WH / YE 2 / RD 13 / YE / BN 11 / BK 10 / WH / GY 1 / VT 18 / GY / BN	8MB12Z-5-CS19	8MB12Z-5P3-CS19	8MB12Z-5N3-CS19
8-port J-box 2 signals per port multifast , side exit connector	2 A/port, 10 A total 19-pin multifast connector 19 conductors Mates with CKM 19-19-*	<u>Function</u> +V - V Ground Port 1, Sig 1 Port 1, Sig 2 Port 2, Sig 1 Port 2, Sig 2 Port 3, Sig 1 Port 3, Sig 2	<u>Pin / Color</u> 19 / BN 6 / BU 12 / GN / YE 15 / WH 7 / GY / PK 5 / GN 4 / RD / BU 16 / YE 8 / WH / GN	<u>Function</u> Port 4, Sig 1 Port 4, Sig 2 Port 5, Sig 1 Port 5, Sig 2 Port 6, Sig 1 Port 6, Sig 2 Port 7, Sig 1 Port 7, Sig 2 Port 8, Sig 1 Port 8, Sig 2	<u>Pin / Color</u> 3 / GY 14 / BN / GN 17 / PK 9 / WH / YE 2 / RD 13 / YE / BN 11 / BK 10 / WH / GY 1 / VT 18 / GY / BN	8MB12Z-5-CS19H	8MB12Z-5P3-CS19H	8MB12Z-5N3-CS19H

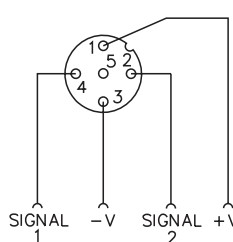
* Cable length in meters.

Functional Wiring Diagrams

**(PNP LED Version)
2 Signals Per Port**



**(No LED Version)
2 Signals Per Port**

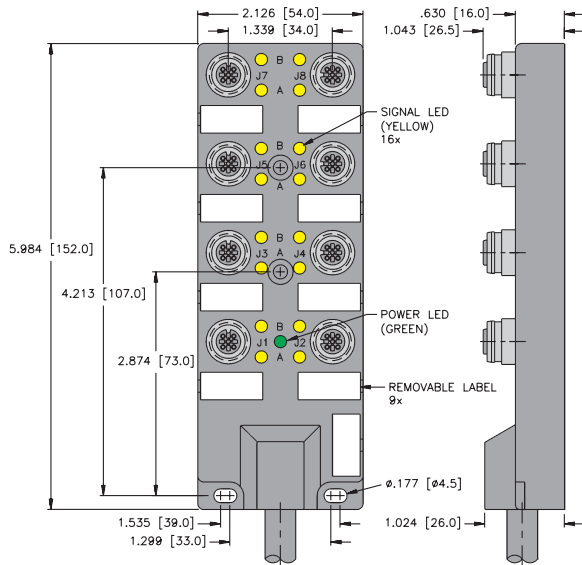


Specifications

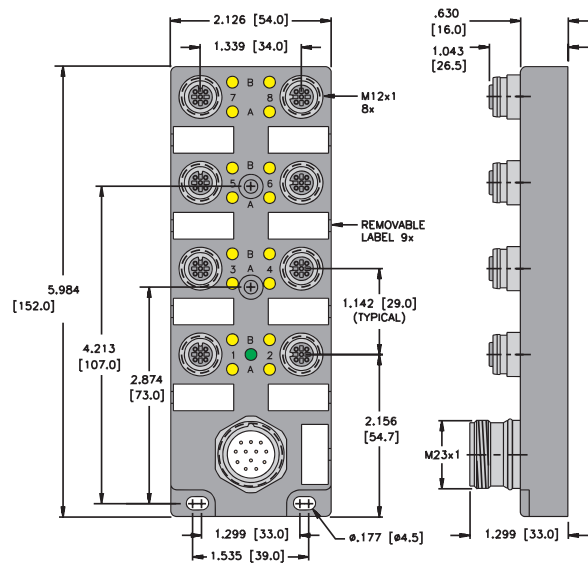
- Housing:** Nylon.
- Connectors:** **eurofast**[®]: Nylon or PUR, spacings to VDE 0110 Group C.
- Contacts:** Gold plated brass.
- Thread Inserts:** Nickel plated brass.
- Cable:** See table.
- LED Current:** 10 mA maximum at 48 VDC supply voltage (per LED).
- Temperature:** -30°C to +80°C (-22°F to +176°F)
- Protection:** NEMA 1, 3, 4, 6P and IEC IP 67.
- Accessories:** (2) VZ 3 closure caps and a VZ 12 label kit (9 labels), included.
- Cable Length:** Standard length is nominal 5 meters. Other lengths available by request - Consult factory.
- Recommended Splitter:** YB2-FSM 4.5-2FKM 4.5.

Dimensions

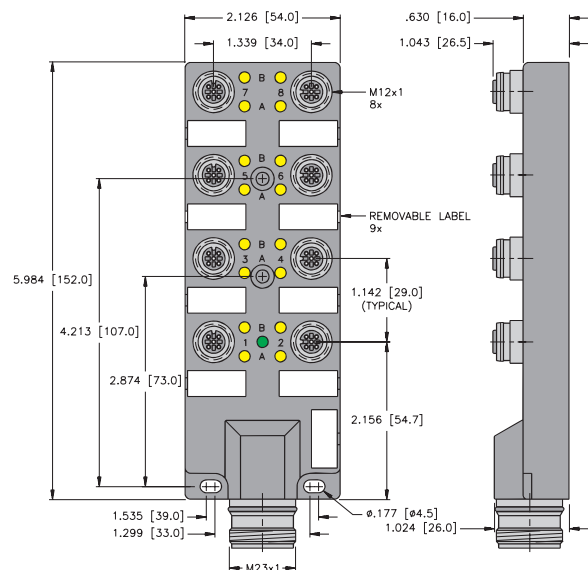
8-Port with Integral Home Run Cable



8-Port Quick Disconnect



8-Port Side Connector



Pinout

Female	Male
5-Pin <i>eurofast</i>	19-Pin <i>multifast</i>

Multibox, eurofast



multibox® eurofast®, Junction Boxes, 4-port Stainless Steel Connector Options

- 1 or 2 Signals Per Port
- Rugged Plastic Housing with Flush Connectors
- Available with LEDs
- Quick Disconnect or Integral Home Run Cable
- Available with Stainless Steel Threaded Connections

4-port, 1 Signal Per Port, 10-48 VDC

Application	Specifications	Pinout				Part Number
4-port J-box 1 signal per port Integral cable	4 A/port, 9 A total Yellow PVC cable** 7/18 AWG foil shield and 20 AWG drain CSA Certified **with PUR cable, add /S90	<u>Function</u> +V -V Ground	<u>Color</u> BN BU GN / YE	<u>Function</u> Port 1 Port 2 Port 3 Port 4	<u>Color</u> WH GN YE GY	4MBV12-4P2-*
4-port J-box 1 signal per port multifast connector	4 A/port, 8 A total 12-pin multifast connector 7 conductors Mates with CKCMV 12-7-* CSA Certified	<u>Function</u> +V -V Ground	<u>Pin / Color</u> 11 / BN 10 / BU 12 / GN / YE	<u>Function</u> Port 1 Port 2 Port 3 Port 4	<u>Pin / Color</u> 1 / WH 2 / GN 3 / YE 4 / GY	4MBV12-4P2-CSV12

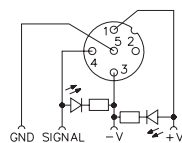
4-port, 2 Signal Per Port, 10-48 VDC

Application	Specifications	Pinout				Part Number
4-port J-box 2 signals per port Integral cable	4 A/port, 9 A total Yellow PVC cable** 3/18 AWG, 8/22 AWG foil shield and 20 AWG drain CSA Certified **with PUR cable, add /S90	<u>Function</u> +V -V Ground Port 1, Sig 1 Port 1, Sig 2	<u>Color</u> BN BU GN/YE WH GY / PK	<u>Function</u> Port 2, Sig 1 Port 2, Sig 2 Port 3, Sig 1 Port 3, Sig 2 Port 4, Sig 1 Port 4, Sig 2	<u>Color</u> GN RD / BU YE WH / GN GY BN / GN	4MBV12-5P3-*
4-port J-box 2 signals per port multifast connector	4 A/port, 8 A total 19-pin multifast connector 11 conductors Mates with CKMV 19-11-* CSA Certified	<u>Function</u> +V -V Ground Port 1, Sig 1 Port 1, Sig 2	<u>Pin / Color</u> 19 / BN 6 / BU 12 / GN/YE 15 / WH 7 / GY/PK	<u>Function</u> Port 2, Sig 1 Port 2, Sig 2 Port 3, Sig 1 Port 3, Sig 2 Port 4, Sig 1 Port 4, Sig 2	<u>Pin / Color</u> 5 / GN 4 / RD / BU 16 / YE 8 / WH / GN 3 / GY 14 / BN / GN	4MBV12-5P3-CSV19

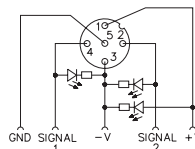
* Cable length in meters.

Functional Wiring Diagrams

(PNP LED Version)
1 Signal Per Port



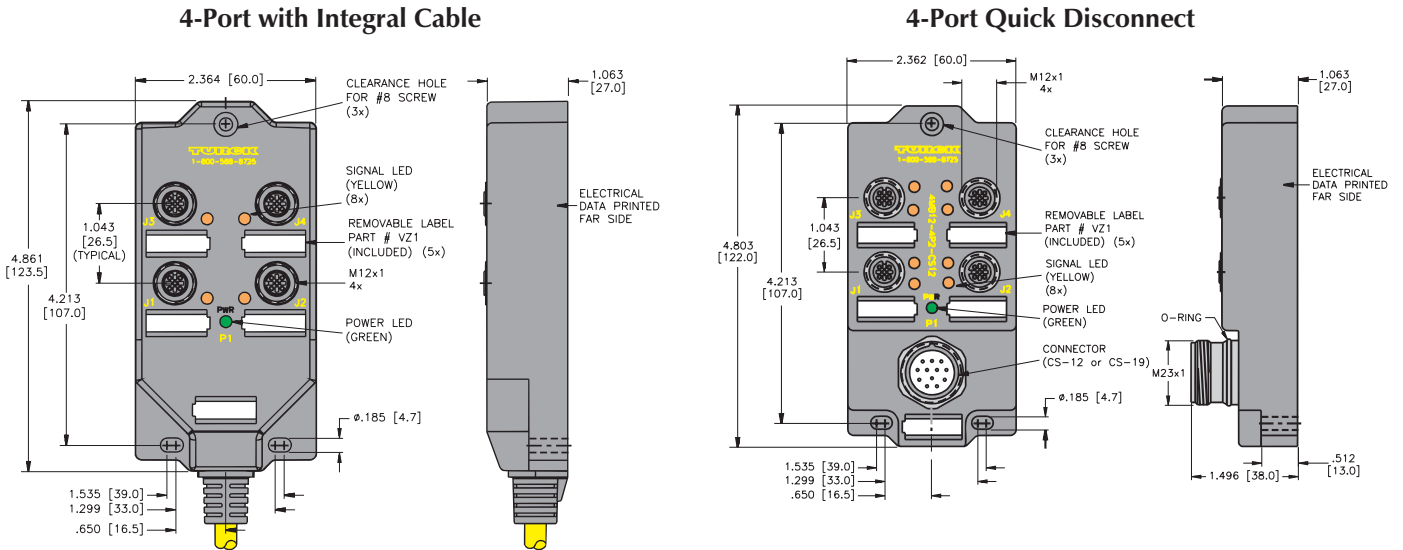
(PNP LED Version)
2 Signals Per Port



Specifications

- Housing:** Nylon.
- Connectors:** **eurofast**[®]: Nylon or PUR, spacings to VDE 0110 Group C.
- Contacts:** Gold plated brass.
- Thread Inserts:** 316 stainless steel.
- Cable:** See table.
- LED Current:** 10 mA maximum at 48 VDC supply voltage (per LED).
- Temperature:** -30°C to +80°C (-22°F to +176°F)
- Protection:** NEMA 1, 3, 4, 6P and IEC IP 67.
- Accessories:** (2) VZ 3 closure caps and a VZ 1 label kit (8 labels) included.
- Cable Length:** Standard length is nominal 5 meters. Other lengths available by request - Consult factory.
- Recommended Splitter:** YB2-FSM 4.5-2 FKM 4.5

Dimensions



Multibox, eurofast

Pinout

Female	Male	
5-Pin eurofast	12-Pin multifast	19-Pin multifast



multibox® eurofast® 8-port Junction Boxes, Stainless Steel Connector Options

- 1 or 2 Signals Per Port
- Rugged Plastic Housing with Flush Connectors
- Available with LEDs
- Quick Disconnect or Integral Home Run Cable
- Available with Stainless Steel Threaded Connections

8-port, 1 Signal Per Port, 10-48 VDC

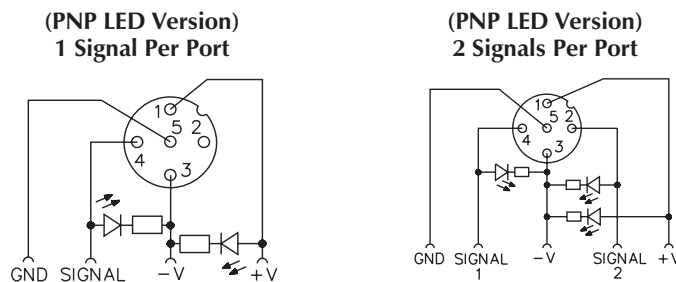
Application	Specifications	Pinout				Part Number
8-port J-box 1 signal per port Integral cable	4 A/port, 9 A total Yellow PVC cable** 11/18 AWG, foil shield and 20 AWG drain CSA Certified **with PUR cable, add /S90	<u>Function</u> +V - V Ground Port 1 Port 2 Port 3	<u>Color</u> Bn Bu Gn/Ye Wh Gn Ye	<u>Function</u> Port 4 Port 5 Port 6 Port 7 Port 8	<u>Color</u> Cy Pk Rd Bk Vt	8MBV12-4P2-*
8-port J-box 1 signal per port multifast connector	4 A/port, 8 A total 12-pin multifast connector 11 conductors Mates with CKCMV 12-11- CSA Certified	<u>Function</u> +V - V Ground Port 1 Port 2 Port 3	<u>Pin / Color</u> 11 / Bn 10 / Bu 12 / Gn / Ye 1 / Wh 2 / Gn 3 / Ye	<u>Function</u> Port 4 Port 5 Port 6 Port 7 Port 8	<u>Pin / Color</u> 4 / Gy 5 / Pk 6 / Rd 7 / Bk 8 / Vt	8MBV12-4P2-CSV12

8-port, 2 Signal Per Port, 10-48 VDC

Application	Specifications	Pinout				Part Number
8-port J-box 2 signals per port Integral cable	4 A/port, 9 A total Yellow PVC cable** 3/18 AWG, 16/22 AWG, foil shield and 20 AWG drain CSA Certified **with PUR cable, add /S90	<u>Function</u> +V - V Ground Port 1, Sig 1 Port 1, Sig 2 Port 2, Sig 1 Port 2, Sig 2 Port 3, Sig 1 Port 3, Sig 2	<u>Color</u> Bn Bu Gn / Ye Wh Gy / Pk Gn Rd / Bu Ye Wh / Gn	<u>Function</u> Port 4, Sig 1 Port 4, Sig 2 Port 5, Sig 1 Port 5, Sig 2 Port 6, Sig 1 Port 6, Sig 2 Port 7, Sig 1 Port 7, Sig 2 Port 8, Sig 1 Port 8, Sig 2	<u>Color</u> Cy Bn / Gn Pk Wh / Ye Rd Ye / Bn Bk Wh / Gy Vt Cy / Bn	8MBV12-5P3-*
8-port J-box 2 signals per port multifast connector	4 A/port, 8 A total 19-pin multifast connector 19 conductors Mates with CKMV 19-19- CSA Certified	<u>Function</u> +V - V Ground Port 1, Sig 1 Port 1, Sig 2 Port 2, Sig 1 Port 2, Sig 2 Port 3, Sig 1 Port 3, Sig 2	<u>Pin / Color</u> 19 / Bn 6 / Bu 12 / Gn/Ye 15 / Wh 7 / Gy/Pk 5 / Gn 4 / Rd/Bu 16 / Ye 8 / Wh/Gn	<u>Function</u> Port 4, Sig 1 Port 4, Sig 2 Port 5, Sig 1 Port 5, Sig 2 Port 6, Sig 1 Port 6, Sig 2 Port 7, Sig 1 Port 7, Sig 2 Port 8, Sig 1 Port 8, Sig 2	<u>Pin / Color</u> 3 / Gy 14 / Bn / Gn 17 / Pk 9 / Wh / Ye 2 / Rd 13 / Ye / Bn 11 / Bk 10 / Wh/ Gy 1 / Vt 18 / Gy / Bn	8MBV12-5P3-CSV19

* Cable length in meters.

Functional Wiring Diagrams

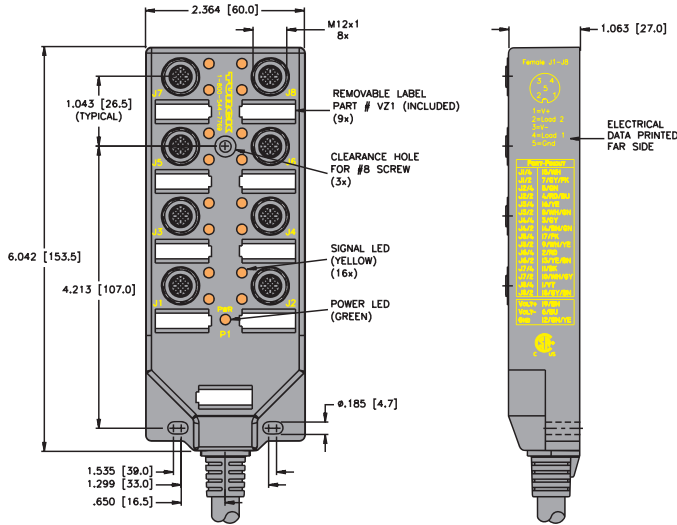


Specifications

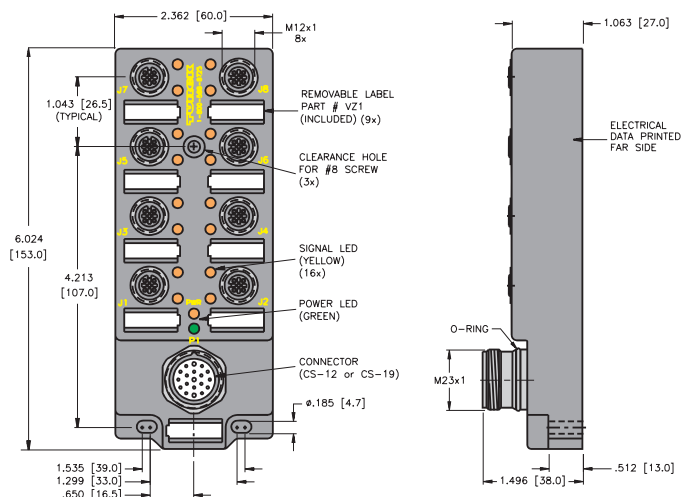
- Housing:** Nylon.
- Connectors:** **eurofast**[®]: Nylon or PUR, spacings to VDE 0110 Group C.
- Contacts:** Gold plated brass.
- Thread Inserts:** 316 Stainless steel.
- Cable:** See table.
- LED Current:** 10 mA maximum at 48 VDC supply voltage (per LED).
- Temperature:** -30°C to +80°C (-22°F to +176°F)
- Protection:** NEMA 1, 3, 4, 6P and IEC IP 67.
- Accessories:** (2) VZ 3 closure caps and a VZ 1 label kit (8 labels), included.
- Cable Length:** Standard length is nominal 5 meters. Other lengths available by request - Consult factory.
- Recommended Splitter:** YB2-FSM 4.5-2 FKM 4.5

Dimensions

8-Port Integral Cable



8-Port Quick Disconnect



Multibox, eurofast

Pinout

Female	Male	Male
5-Pin eurofast	12-Pin multifast	19-Pin multifast



multibox® eurofast® Junction Boxes, Back Exit Home Run

- 8-Port Plastic Housing
- 9 Amps Total
- Back Exit Home Run Cable or Leads

8-Port, 10-48 VDC, 2 Signals Per Port, Back Exit Home Run Leads

Application	Specifications	Pinout	Part Number																																								
8-port J-box 2 signals per port Back exit leads	4.0 A/port, 9 A total, 5-pin eurofast connector, 1 (green) power LED 2 (yellow) signal per port LEDs, 3/18 AWG, 16/22 AWG	<table border="0"> <tr> <td><u>Function</u></td> <td><u>Pin/Color</u></td> </tr> <tr> <td>+V</td> <td>19 / BN</td> </tr> <tr> <td>-V</td> <td>6 / BU</td> </tr> <tr> <td>Ground</td> <td>12 / GN / YE</td> </tr> <tr> <td>Port 1, Sig 1</td> <td>15 / WH</td> </tr> <tr> <td>Port 1, Sig 2</td> <td>7 / GY / PK</td> </tr> <tr> <td>Port 2, Sig 1</td> <td>5 / GN</td> </tr> <tr> <td>Port 2, Sig 2</td> <td>4 / RD / BU</td> </tr> <tr> <td>Port 3, Sig 1</td> <td>16 / YE</td> </tr> <tr> <td>Port 3, Sig 2</td> <td>8 / WH / GN</td> </tr> <tr> <td>Port 4, Sig 1</td> <td>3 / GY</td> </tr> <tr> <td>Port 4, Sig 2</td> <td>14 / BN / GN</td> </tr> <tr> <td>Port 5, Sig 1</td> <td>17 / PK</td> </tr> <tr> <td>Port 5, Sig 2</td> <td>9 / WH / YE</td> </tr> <tr> <td>Port 6, Sig 1</td> <td>2 / RD</td> </tr> <tr> <td>Port 6, Sig 2</td> <td>13 / YE / BN</td> </tr> <tr> <td>Port 7, Sig 1</td> <td>11 / BK</td> </tr> <tr> <td>Port 7, Sig 2</td> <td>10 / WH / GY</td> </tr> <tr> <td>Port 8, Sig 1</td> <td>1 / VT</td> </tr> <tr> <td>Port 8, Sig 2</td> <td>18 / GY / BN</td> </tr> </table>	<u>Function</u>	<u>Pin/Color</u>	+V	19 / BN	-V	6 / BU	Ground	12 / GN / YE	Port 1, Sig 1	15 / WH	Port 1, Sig 2	7 / GY / PK	Port 2, Sig 1	5 / GN	Port 2, Sig 2	4 / RD / BU	Port 3, Sig 1	16 / YE	Port 3, Sig 2	8 / WH / GN	Port 4, Sig 1	3 / GY	Port 4, Sig 2	14 / BN / GN	Port 5, Sig 1	17 / PK	Port 5, Sig 2	9 / WH / YE	Port 6, Sig 1	2 / RD	Port 6, Sig 2	13 / YE / BN	Port 7, Sig 1	11 / BK	Port 7, Sig 2	10 / WH / GY	Port 8, Sig 1	1 / VT	Port 8, Sig 2	18 / GY / BN	8MB12-5P3-*BL
<u>Function</u>	<u>Pin/Color</u>																																										
+V	19 / BN																																										
-V	6 / BU																																										
Ground	12 / GN / YE																																										
Port 1, Sig 1	15 / WH																																										
Port 1, Sig 2	7 / GY / PK																																										
Port 2, Sig 1	5 / GN																																										
Port 2, Sig 2	4 / RD / BU																																										
Port 3, Sig 1	16 / YE																																										
Port 3, Sig 2	8 / WH / GN																																										
Port 4, Sig 1	3 / GY																																										
Port 4, Sig 2	14 / BN / GN																																										
Port 5, Sig 1	17 / PK																																										
Port 5, Sig 2	9 / WH / YE																																										
Port 6, Sig 1	2 / RD																																										
Port 6, Sig 2	13 / YE / BN																																										
Port 7, Sig 1	11 / BK																																										
Port 7, Sig 2	10 / WH / GY																																										
Port 8, Sig 1	1 / VT																																										
Port 8, Sig 2	18 / GY / BN																																										

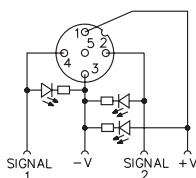
* Lead length in meters.

8-Port, 10-48 VDC, 2 Signals Per Port, Back Exit Home Run Cable

Application	Specifications	Pinout	Part Number																																								
8-port J-box 2 signals per port Back exit cable	4.0 A/port, 9 A total, 5-pin eurofast connector, 1 (green) power LED 2 (yellow) signal per port LEDs, 3/18 AWG, 16/22 AWG, PVC Yellow Cable	<table border="0"> <tr> <td><u>Function</u></td> <td><u>Pin/Color</u></td> </tr> <tr> <td>+V</td> <td>19 / BN</td> </tr> <tr> <td>-V</td> <td>6 / BU</td> </tr> <tr> <td>Ground</td> <td>12 / GN / YE</td> </tr> <tr> <td>Port 1, Sig 1</td> <td>15 / WH</td> </tr> <tr> <td>Port 1, Sig 2</td> <td>7 / GY / PK</td> </tr> <tr> <td>Port 2, Sig 1</td> <td>5 / GN</td> </tr> <tr> <td>Port 2, Sig 2</td> <td>4 / RD / BU</td> </tr> <tr> <td>Port 3, Sig 1</td> <td>16 / YE</td> </tr> <tr> <td>Port 3, Sig 2</td> <td>8 / WH / GN</td> </tr> <tr> <td>Port 4, Sig 1</td> <td>3 / GY</td> </tr> <tr> <td>Port 4, Sig 2</td> <td>14 / BN / GN</td> </tr> <tr> <td>Port 5, Sig 1</td> <td>17 / PK</td> </tr> <tr> <td>Port 5, Sig 2</td> <td>9 / WH / YE</td> </tr> <tr> <td>Port 6, Sig 1</td> <td>2 / RD</td> </tr> <tr> <td>Port 6, Sig 2</td> <td>13 / YE / BN</td> </tr> <tr> <td>Port 7, Sig 1</td> <td>11 / BK</td> </tr> <tr> <td>Port 7, Sig 2</td> <td>10 / WH / GY</td> </tr> <tr> <td>Port 8, Sig 1</td> <td>1 / VT</td> </tr> <tr> <td>Port 8, Sig 2</td> <td>18 / GY / BN</td> </tr> </table>	<u>Function</u>	<u>Pin/Color</u>	+V	19 / BN	-V	6 / BU	Ground	12 / GN / YE	Port 1, Sig 1	15 / WH	Port 1, Sig 2	7 / GY / PK	Port 2, Sig 1	5 / GN	Port 2, Sig 2	4 / RD / BU	Port 3, Sig 1	16 / YE	Port 3, Sig 2	8 / WH / GN	Port 4, Sig 1	3 / GY	Port 4, Sig 2	14 / BN / GN	Port 5, Sig 1	17 / PK	Port 5, Sig 2	9 / WH / YE	Port 6, Sig 1	2 / RD	Port 6, Sig 2	13 / YE / BN	Port 7, Sig 1	11 / BK	Port 7, Sig 2	10 / WH / GY	Port 8, Sig 1	1 / VT	Port 8, Sig 2	18 / GY / BN	8MB12-5P3-*B
<u>Function</u>	<u>Pin/Color</u>																																										
+V	19 / BN																																										
-V	6 / BU																																										
Ground	12 / GN / YE																																										
Port 1, Sig 1	15 / WH																																										
Port 1, Sig 2	7 / GY / PK																																										
Port 2, Sig 1	5 / GN																																										
Port 2, Sig 2	4 / RD / BU																																										
Port 3, Sig 1	16 / YE																																										
Port 3, Sig 2	8 / WH / GN																																										
Port 4, Sig 1	3 / GY																																										
Port 4, Sig 2	14 / BN / GN																																										
Port 5, Sig 1	17 / PK																																										
Port 5, Sig 2	9 / WH / YE																																										
Port 6, Sig 1	2 / RD																																										
Port 6, Sig 2	13 / YE / BN																																										
Port 7, Sig 1	11 / BK																																										
Port 7, Sig 2	10 / WH / GY																																										
Port 8, Sig 1	1 / VT																																										
Port 8, Sig 2	18 / GY / BN																																										

* Cable length in meters.

**(PNP LED Version)
2 Signals Per Port**



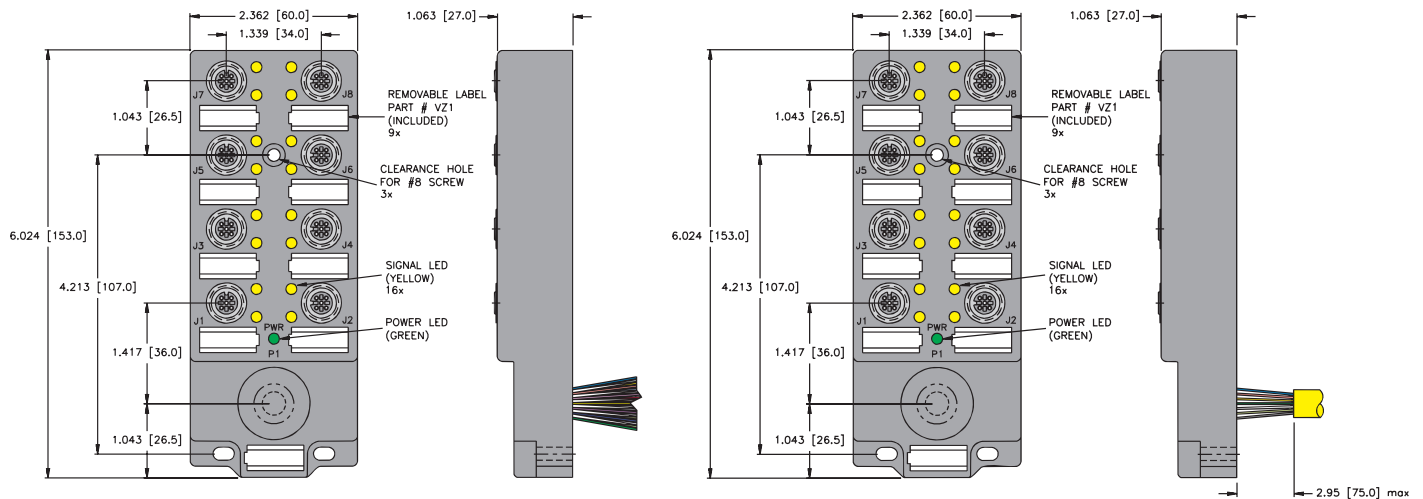
Specifications

Housing:	Nylon.
Connectors:	eurofast [®] : Nylon or PUR, spacings to VDE 0110 Group C.
Contacts:	Gold plated brass.
Thread Inserts:	Nickel plated brass.
Cable:	See table.
LED Current:	12 mA max at 48 VDC supply voltage (per LED).
Temperature:	-30°C to +80°C (-22°C to +176°F).
Protection:	IP 67.
Accessories:	Includes (2) VZ 3 closure caps.
Recommended Splitter:	YB2-FSM 4.5-2 FKM 4.5.

Dimensions

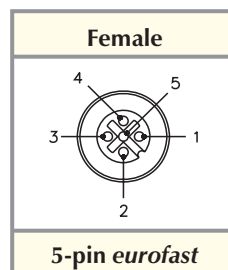
8MB12-5P3-*BL

8MB12-5P3-*B



Multibox, eurofast

Pinout





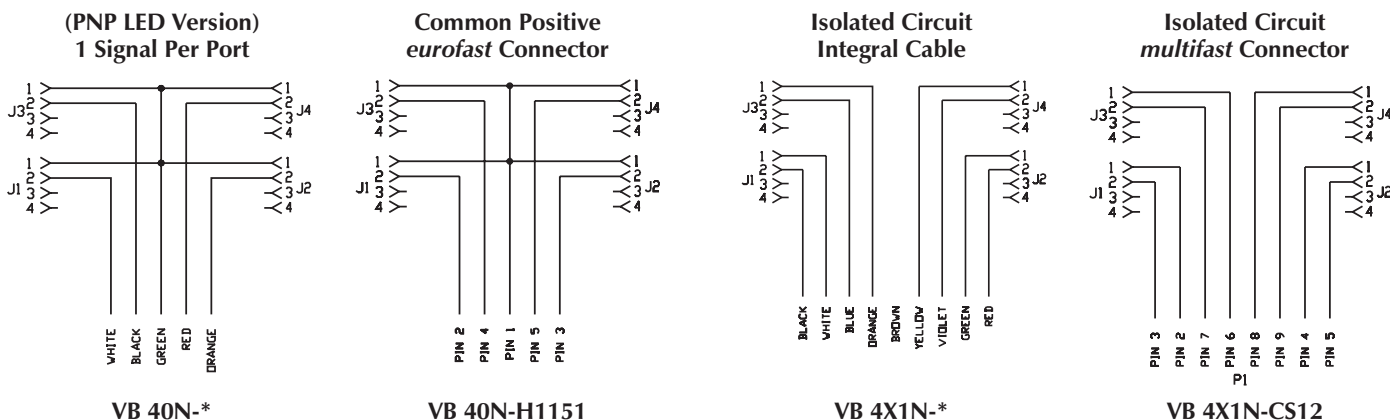
multibox® eurofast® Junction Boxes, NAMUR, 1 Circuit Per Port

- 4 Port
- Rugged Plastic Housing with Flush Connectors
- Quick Disconnect or Integral Home Run Cable
- For use with NAMUR Sensors

Application	Specifications	Pinout				Part Number
4-port J-box 1 circuit per port Integral cable	4 A/port, 9 A total Blue PVC cable, PLTC 5/22 AWG	Function +V	Color GN	Function J1/Pin 2 J2/Pin 2 J3/Pin 2 J4/Pin 2	Color WH OG BK RD	VB 40N-*
4-port J-box 1 circuit per port eurofast connector	4 A/port, 4 A total 5-pin eurofast connector 5 conductors Mates with RKCEN 5T-*	Function +V	Pin / Color 1 / GN	Function J1/Pin 2 J2/Pin 2 J3/Pin 2 J4/Pin 2	Pin / Color 2 / WH 3 / OG 4 / BK 5 / RD	VB 40N-H1151

Application	Specifications	Pinout				Part Number
4-port J-box 1 circuit per port Integral cable	4 A/port, 9 A total Blue PVC cable, PLTC 9/22 AWG	Function J1/Pin 1 J1/Pin 2 J2/Pin 1 J2/Pin 2	Color WH BK GN RD	Function J3/Pin 1 J3/Pin 2 J4/Pin 1 J4/Pin 2	Color OG BU YE VT	VB 4X1N-*
4-port J-box 1 circuit per port multifast connector	4 A/port, 8 A total 12-pin multifast connector 9 conductors Mates with CKNM 12-9-*	Function J1/Pin 1 J1/Pin 2 J2/Pin 1 J2/Pin 2	Pin / Color 2 / WH 3 / BK 4 / GN 5 / RD	Function J3/Pin 1 J3/Pin 2 J4/Pin 1 J4/Pin 2	Pin / Color 6 / OG 7 / BU 8 / YE 9 / VT	VB 4X1N-CS12
		Pin 1/BN not used				

Functional Wiring Diagrams

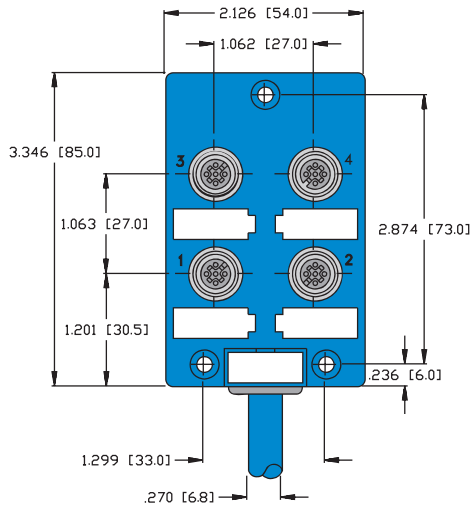


Specifications

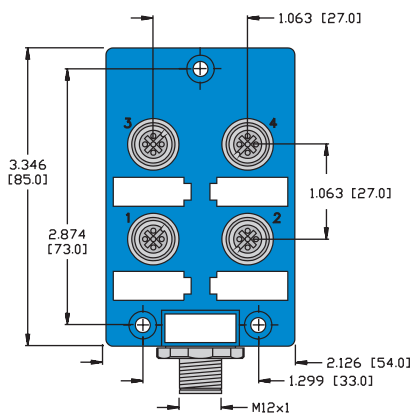
- Housing:** Nylon.
- Connectors:** **eurofast**[®]: Nylon or PUR, spacings to VDE 0110 Group C.
- Contacts:** Gold plated brass, machined from solid stock.
- Thread Inserts:** Nickel plated brass.
- Cable:** See table.
- Temperature:** -40°C to +90°C (-40°F to +194°F)
- Protection:** NEMA 1, 3, 4, 6P and IEC IP 67.
- Accessories:** (2) VZ 3 closure caps and one VZ 1 label kit (8 labels) included.
- Cable Length:** Standard length for junction boxes and **multifast**[®] series quick disconnect cordsets is nominal 5 meters.

Dimensions

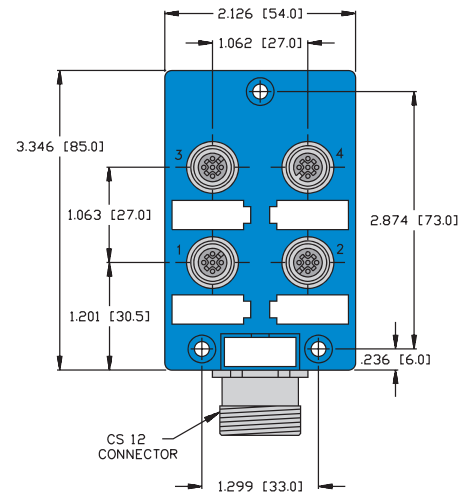
4-Port with Integral Home Run Cable



4-Port with *eurofast* Home Run Connector



4-Port with *multifast* Home Run Connector

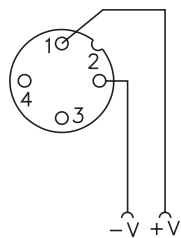


Multibox, eurofast

Notes:

- Removable labels included (Part number VZ 1).
- Clearance hole for #8 screw (3 places).
- Housings with integral cable: 23.0 mm thickness. Housings with quick disconnect: 33.0 mm thickness.

Female Pinout Diagram



Pinout

Male	Male
5-Pin eurofast	12-Pin multifast



multibox® eurofast® Junction Boxes, NAMUR, 2 Circuits Per Port

- 4 Ports
- Rugged Plastic Housing with Flush Connectors
- Quick Disconnect or Integral Home Run Cable
- For use with NAMUR Sensors

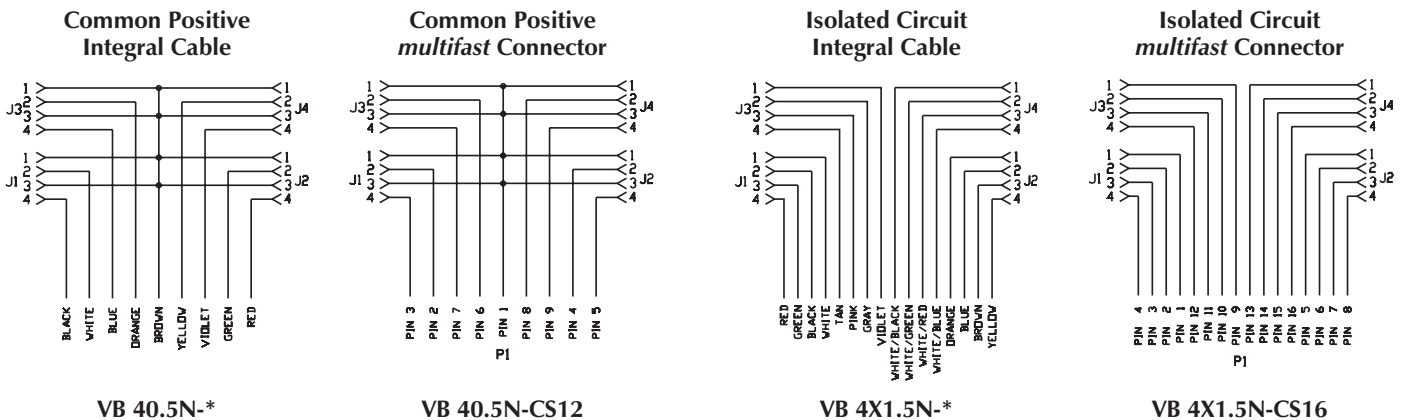
2 Circuits Per Port, Common Positive, 100 VDC

Application	Specifications	Pinout				Part Number
4-port J-box 2 circuits per port Integral cable	4 A/port, 9 A total Blue PVC cable, PLTC 9/22 AWG	<u>Function</u>	<u>Color</u>	<u>Function</u>	<u>Color</u>	VB 40.5N-*
		V+	BN	J3/Pin 2	OG	
		J1/Pin 2	WH	J3/Pin 4	BU	
		J1/Pin 4	BK	J4/Pin 2	YE	
		J2/Pin 2	GN	J4/Pin 4	VT	
4-port J-box 2 circuits per port multifast connector	4 A/port, 8 A total 12-pin multifast connector 9 conductors Mates with CKNM 12-9-*	<u>Function</u>	<u>Pin / Color</u>	<u>Function</u>	<u>Pin / Color</u>	VB 40.5N-CS12
		V+	1 / BN	J3/Pin 2	6 / OG	
		J1/Pin 2	2 / WH	J3/Pin 4	7 / BU	
		J1/Pin 4	3 / BK	J4/Pin 2	8 / YE	
		J2/Pin 2	4 / GN	J4/Pin 4	9 / VT	
J2/Pin 4	5 / RD					

2 Circuits Per Port, Isolated Circuits, 100 VDC

Application	Specifications	Pinout				Part Number
4-port J-box 2 circuits per port Integral cable	4 A/port, 9 A total Blue PVC cable, PLTC 16/22 AWG	<u>Function</u>	<u>Color</u>	<u>Function</u>	<u>Color</u>	VB 4X1.5N-*
		J1/Pin 1	WH	J3/Pin 1	VT	
		J1/Pin 2	BK	J3/Pin 2	GY	
		J1/Pin 3	GN	J3/Pin 3	PK	
		J1/Pin 4	RD	J3/Pin 4	Tn	
		J2/Pin 1	OG	J4/Pin 1	WH / BK	
		J2/Pin 2	BU	J4/Pin 2	WH / GN	
		J2/Pin 3	BN	J4/Pin 3	WH / RD	
		J2/Pin 4	YE	J4/Pin 4	WH / BU	

Functional Wiring Diagrams

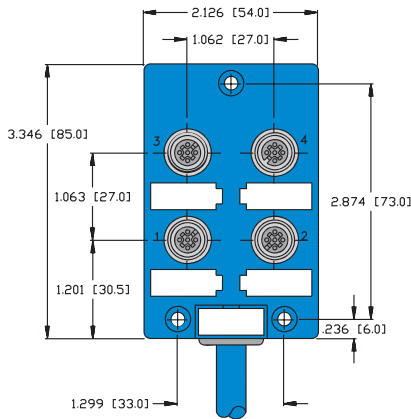


Specifications

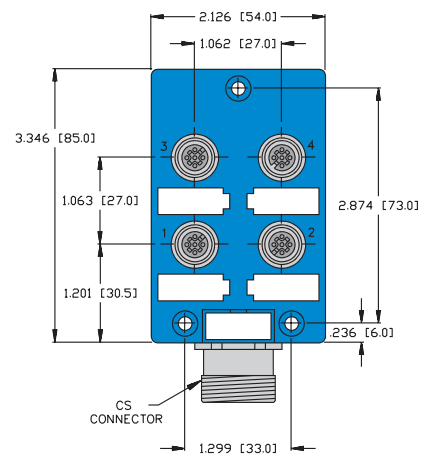
Housing:	Nylon.
Connectors:	eurofast [®] : Nylon or PUR, spacings to VDE 0110 Group C.
Contacts:	Gold plated brass, machined from solid stock.
Thread Inserts:	Nickel plated brass.
Cable:	See table.
Temperature:	-40°C to +90°C (-40°F to +194°F)
Protection:	NEMA 1, 3, 4, 6P and IEC IP 67.
Accessories:	(2) VZ 3 closure caps and one VZ 1 label kit (8 labels) included.
Cable Length:	Standard length for junction boxes and multifast [®] series quick disconnect cordsets is nominal 5 meters.

Dimensions

4-Port with Integral Home Run Cable



4-Port with *multifast* Home Run Connector

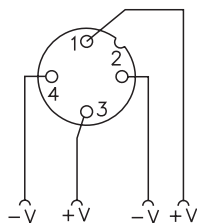


Multibox, eurofast

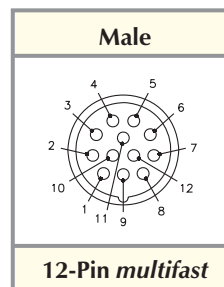
Notes:

- Removable labels included (Part number VZ 1).
- Clearance hole for #8 screw (3 places).
- Housings with integral cable: 23.0 mm thickness. Housings with quick disconnect: 33.0 mm thickness.

Female Pinout Diagram



Pinout





multibox® eurofast® Terminal Chamber, 2 Signals Per Port

- 4-Port, Plastic or Metal Housing
- 12 A Total
- Power Supply Isolation Option
- Plug-in Terminal Cover with Spring Clamps or Screw Terminal

4-port, 10-30 VDC, 2 Signals Per Port, Isolated Power Supply Optional, Plastic Housing Termination Style

Application	Specifications	Pinout		Spring Clamp	Screw Terminals
4-port J-box 2 signals per port Jumper option for isolation between odd and even ports Terminal chamber connection - spring clamp or screw terminals	3.0 A/port, 10.0 A per power supply 12.0 A total 5-pin eurofast connector 2(green) power LED 2(yellow) signal per port LEDs cable diameter 5-12mm	Function	Terminal Pin	4MB12-5P4-K-FK	4MB12-5P4-K-SK
		Port 1/Signal 1	1		
		2/1	2		
		3/1	3		
		4/1	4		
		Port 1/Signal 2	9		
		2/2	10		
		3/2	11		
		4/2	12		
		+V	17		
		-V	18		
		+V	19		
		-V	20		
		Ground	PE		

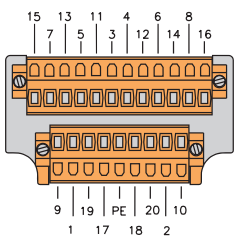
4-port, 10-30 VDC, 2 Signals Per Port, Shielded Metal Housing Termination Style

Application	Specifications	Pinout		Spring Clamp	Screw Terminals
4-port J-box 2 signals per port Termination chamber connection - spring clamp or screw terminals	3.0 A/port, 10.0 A/power supply 12.0 A total 5-pin eurofast connector 1(green) power LED cable diameter 19-14mm	Function	Terminal Pin	4MB12-5P1-MS-FK	4MB12-5P1-MS-SK
		Port 1/Signal 1	1		
		2/1	2		
		3/1	3		
		4/1	4		
		Port 1/Signal 2	9		
		2/2	10		
		3/2	11		
		4/2	12		
		+V	17		
		-V	18		
		+V	19		
		-V	20		
		Ground	PE		

Functional Wiring Diagrams

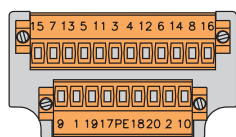
Spring Clamp

TERMINAL END VIEW

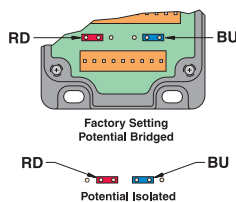


Screw Terminal

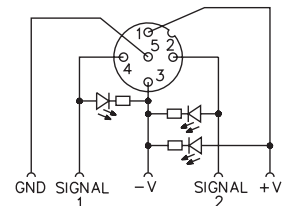
TERMINAL END VIEW



CONNECTION DIAGRAM



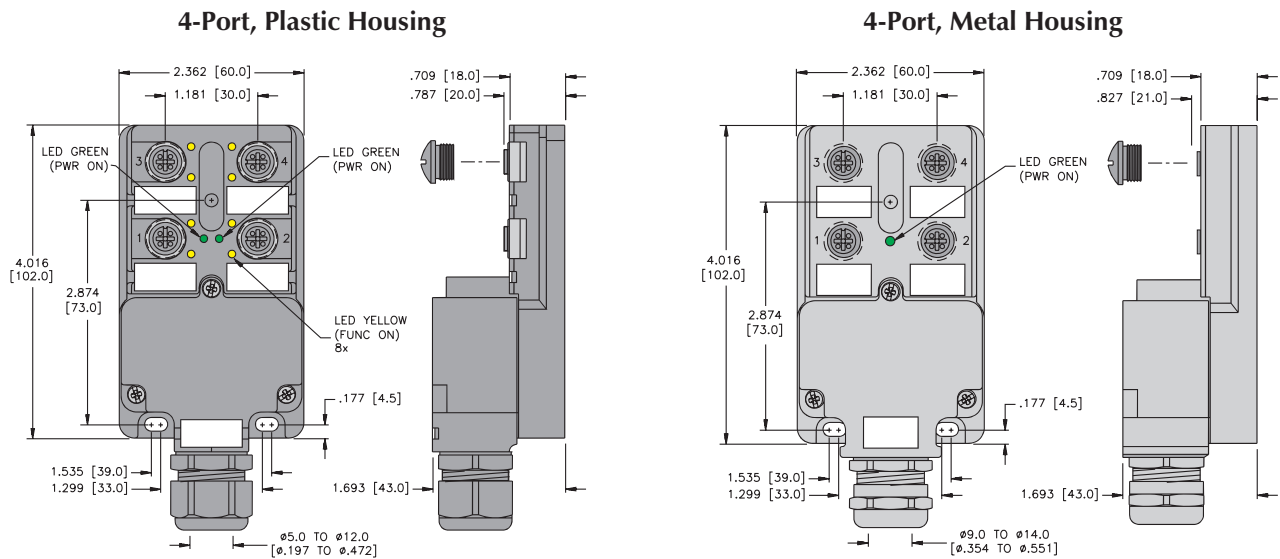
**LED version
2 Signals Per Port**



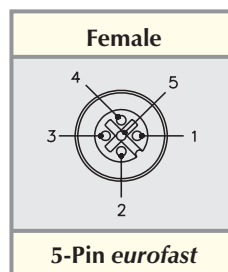
Specifications

- Housing:** PBT Black Plastic.
- Connectors:** **eurofast**[®]: PBT/black, spacings to VDE 0110 Group C.
- Contacts:** Gold plated brass.
- Thread Inserts:** Nickel plated brass.
- Cable Gland & OD:** PG 13.5, accepts cable diameter 5 to 12 mm
- Temperature:** -20°C to +90°C (-4°F to +194°F)
- Protection:** NEMA 1, 3, 4, 6P and IEC IP 68.
- Accessories:** (2) TC-CC closure caps and (labels) included.
- Termination Method:** Field wireable, Spring Clamp or Screw Terminal.
- Recommended Splitter:** YB2-FSM 4.5-2 FKM 4.5.

Dimensions



Pinout





multibox® eurofast® Terminal Chamber, 2 Signals Per Port

- 8-Port Plastic or Metal Housing
- 16 A Total
- Power Supply Isolation Option
- Plug in Terminal Cover - Spring Clamps or Screw Terminals

8-port, 10-30 VDC, 2 Signals Per Port, Isolated Power Supply Optional, Plastic

Termination Style

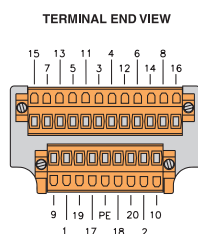
Application	Specifications	Pinout				Spring Clamp	Screw Terminals	
8-port J-box 2 signals per port, Jumper option for isolation between odd and even ports Terminal chamber connection - spring clamp or screw terminals	3.0 A/port, 10.0 A per power supply 16.0 A total 5-pin eurofast connector 2(green) power LED 2(yellow) signal per port LEDs cable diameter 5-12mm	Function	Terminal Pin	Function	Terminal Pin	8MB12-5P4-K-FK	8MB12-5P4-K-SK	
		Port 1/Signal 1	1	4/2	12			
			2/1	2	5/2			13
			3/1	3	6/2			14
			4/1	4	7/2			15
			5/1	5	8/2			16
			6/1	6	+V			17
			7/1	7	-V			18
			8/1	8	+V			19
		Port 1/Signal 2	9	-V	20			
			2/2	10	Ground			PE
	3/2	11						

8-port, 10-30 VDC, 2 Signals Per Port, Shielded Metal

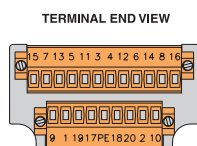
Termination Style

Application	Specifications	Pinout				Spring Clamp	Screw Terminals	
8-port J-box 2 signals per port Termination chamber connection - spring clamp or screw terminal	3.0 A/port 10.0 A/power supply 16.0 A total 5-pin eurofast connector 1(green) power LED cable diameter 19-14mm	Function	Terminal Pin	Function	Terminal Pin	8MB12-5P1-MS-FK	8MB12-5P1-MS-SK	
		Port 1/Signal 1	1	4/2	12			
			2/1	2	5/2			13
			3/1	3	6/2			14
			4/1	4	7/2			15
			5/1	5	8/2			16
			6/1	6	+V			17
			7/1	7	-V			18
			8/1	8	+V			19
		Port 1/Signal 2	9	-V	20			
			2/2	10	Ground			PE
	3/2	11						

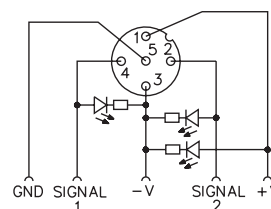
Spring Clamp



Screw Terminal



**Functional Wiring Diagram
2 Signals Per Port**

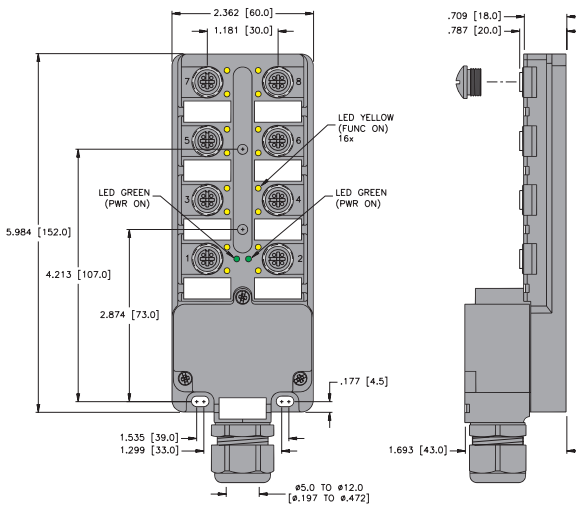


Specifications

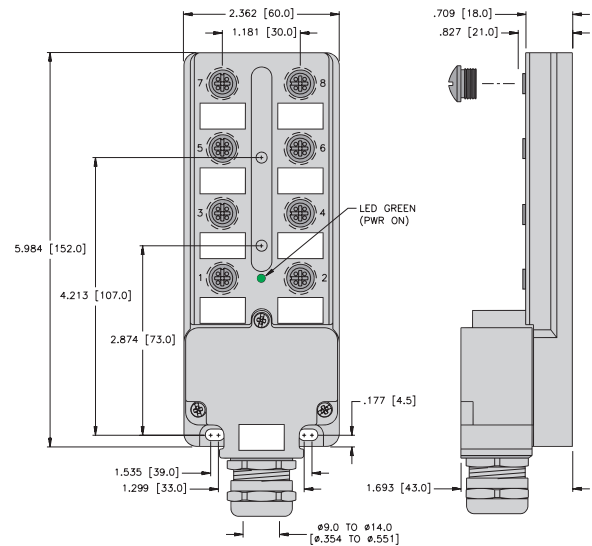
Housing:	Die Cast Zinc, Nickel plated.
Connectors:	eurofast®: PBT/black, spacings to VDE 0110 Group C.
Contacts:	Gold plated brass.
Thread Inserts:	Nickel plated brass.
Cable Gland & OD:	PG 13.5, accepts cable diameter 10-14 mm.
Temperature:	-20°C to +90°C (-4°F to +194°F).
Protection:	NEMA 1, 3, 4, 6P and IEC IP 68.
Accessories:	Includes (2) TC-CC closure caps and labels, stainless steel enclosure caps available, RSV-CC.
Termination Method:	Field wireable, spring clamps or screw terminals.
Recommended Splitter:	YB2-FSM 4.5-2 FKM 4.5.

Dimensions

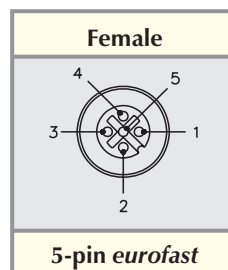
8-Port, Plastic Housing



8-Port, Metal Housing



Pinout





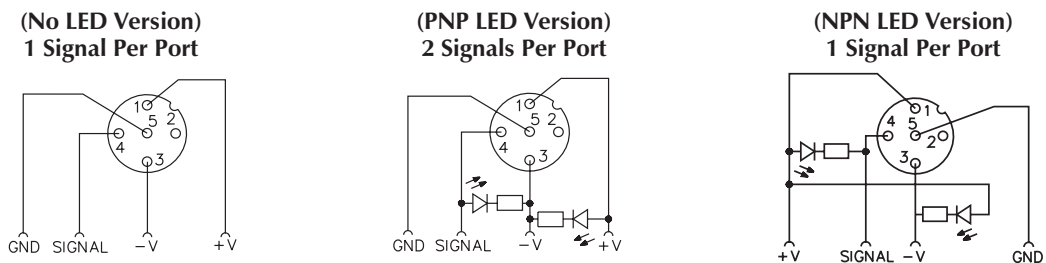
multibox® eurofast® Junction Boxes, 1 Signal Per Port

- 4-Ports
- Rugged Plastic Housing with Flush Connectors
- Available with or without LEDs
- Quick Disconnect or *minifast* Connector

4-port, 1-Signal per Port, 10-48 VDC

Application	Specifications	Pinout	No LEDs	PNP LED	NPN LED																				
4-port J-box 1 signal per port Integral cable	4 A/port, 10 A total Yellow PVC cable** 7/18 AWG foil shield and 20 AWG drain CSA Certified **with PUR cable, add /S90	<table border="0"> <tr> <td><u>Function</u></td> <td><u>Color</u></td> <td><u>Function</u></td> <td><u>Color</u></td> </tr> <tr> <td>+V</td> <td>BN</td> <td>Port 1</td> <td>WH</td> </tr> <tr> <td>-V</td> <td>BU</td> <td>Port 2</td> <td>GN</td> </tr> <tr> <td>Gnd</td> <td>GN/YE</td> <td>Port 3</td> <td>YE</td> </tr> <tr> <td></td> <td></td> <td>Port 4</td> <td>GY</td> </tr> </table>	<u>Function</u>	<u>Color</u>	<u>Function</u>	<u>Color</u>	+V	BN	Port 1	WH	-V	BU	Port 2	GN	Gnd	GN/YE	Port 3	YE			Port 4	GY	VB 40-*	VB 40-P7X5-*	VB 40-N7X5-*
<u>Function</u>	<u>Color</u>	<u>Function</u>	<u>Color</u>																						
+V	BN	Port 1	WH																						
-V	BU	Port 2	GN																						
Gnd	GN/YE	Port 3	YE																						
		Port 4	GY																						
4-port J-box 1 signal per port multifast connector	4 A/port, 7 A total 12-pin multifast connector 7 conductors Mates with CKM 12-7-* CSA Certified	<table border="0"> <tr> <td><u>Function</u></td> <td><u>Pin / Color</u></td> <td><u>Function</u></td> <td><u>Pin / Color</u></td> </tr> <tr> <td>+V</td> <td>1 / BN</td> <td>Port 1</td> <td>4 / WH</td> </tr> <tr> <td>-V</td> <td>3 / BU</td> <td>Port 2</td> <td>6 / GN</td> </tr> <tr> <td>Gnd</td> <td>12 / GN/YE</td> <td>Port 3</td> <td>7 / YE</td> </tr> <tr> <td></td> <td></td> <td>Port 4</td> <td>8 / GY</td> </tr> </table>	<u>Function</u>	<u>Pin / Color</u>	<u>Function</u>	<u>Pin / Color</u>	+V	1 / BN	Port 1	4 / WH	-V	3 / BU	Port 2	6 / GN	Gnd	12 / GN/YE	Port 3	7 / YE			Port 4	8 / GY	VB 40-CS12	VB 40-P7X5-CS12	VB 40-N7X5-CS12
<u>Function</u>	<u>Pin / Color</u>	<u>Function</u>	<u>Pin / Color</u>																						
+V	1 / BN	Port 1	4 / WH																						
-V	3 / BU	Port 2	6 / GN																						
Gnd	12 / GN/YE	Port 3	7 / YE																						
		Port 4	8 / GY																						
4-port J-box 1 signal per port, minifast connector	4 A/port 9 A total 6-pin minifast connector 6 conductors Mates with RKM 61-*M CSA Certified	<table border="0"> <tr> <td><u>Function</u></td> <td><u>Pin / Color</u></td> <td><u>Function</u></td> <td><u>Pin / Color</u></td> </tr> <tr> <td>+V</td> <td>6 / BN</td> <td>Port 1</td> <td>2 / WH</td> </tr> <tr> <td>-V</td> <td>3 / BU</td> <td>Port 2</td> <td>1 / GN</td> </tr> <tr> <td></td> <td></td> <td>Port 3</td> <td>5 / YE</td> </tr> <tr> <td></td> <td></td> <td>Port 4</td> <td>4 / GY</td> </tr> </table>	<u>Function</u>	<u>Pin / Color</u>	<u>Function</u>	<u>Pin / Color</u>	+V	6 / BN	Port 1	2 / WH	-V	3 / BU	Port 2	1 / GN			Port 3	5 / YE			Port 4	4 / GY	VB 40-B1161	VB 40-P7X5-B1161	VB 40-N7X5-B1161
<u>Function</u>	<u>Pin / Color</u>	<u>Function</u>	<u>Pin / Color</u>																						
+V	6 / BN	Port 1	2 / WH																						
-V	3 / BU	Port 2	1 / GN																						
		Port 3	5 / YE																						
		Port 4	4 / GY																						

Functional Wiring Diagrams

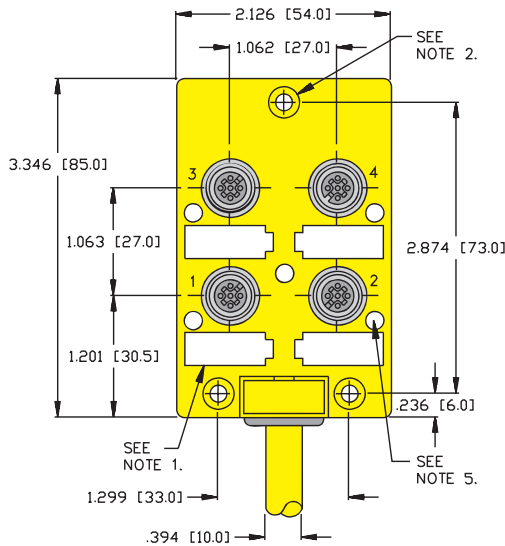


Specifications

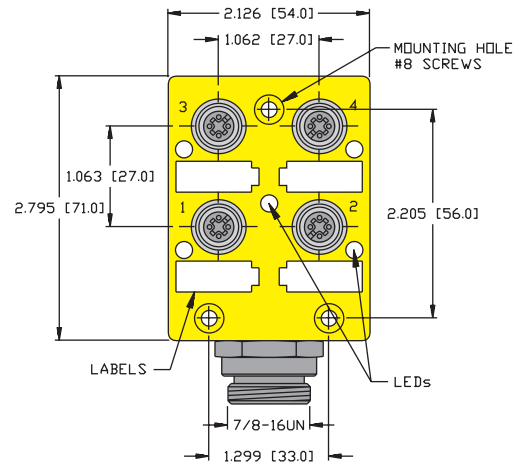
Housing:	Nylon.
Connectors:	eurofast®: Nylon or PUR, spacings to VDE 0110 Group C.
Contacts:	Gold plated brass.
Thread Inserts:	Stainless Steel.
Cable:	See table.
LED current:	10 mA maximum at 48 VDC supply voltage (per LED).
Temperature:	-30°C to +80°C (-22°F to +176°F)
Protection:	NEMA 1, 3, 4, 6P and IEC IP 67.
Accessories:	Includes (2) VZ 3 closure caps and a VZ 1 label kit (8 labels) included.
Cable Length:	Standard length is nominal 5 meters. Other lengths available upon request - Consult factory.

Dimensions

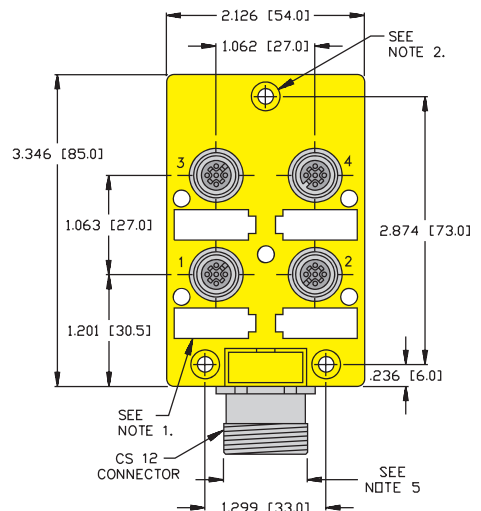
4-Port Integral Home Run Cable



4-Port with *minifast* Home Run Connector



4-Port with *multifast* Home Run Connector



Notes:

1. Removable labels included (Part number VZ 1).
2. Clearance hole for #8 screw (3 places).
3. Housings with integral cable: 23.0 mm thickness.
Housings with quick disconnect: 33.0 mm thickness.
4. For mating CKM cordsets. See *multifast* pages.
5. Green LED = Power on (center position)
Yellow LED = Signal (outer position)

Pinout

Female	Male	Male
5-pin eurofast	12-pin multifast	6-pin minifast

Multibox, eurofast



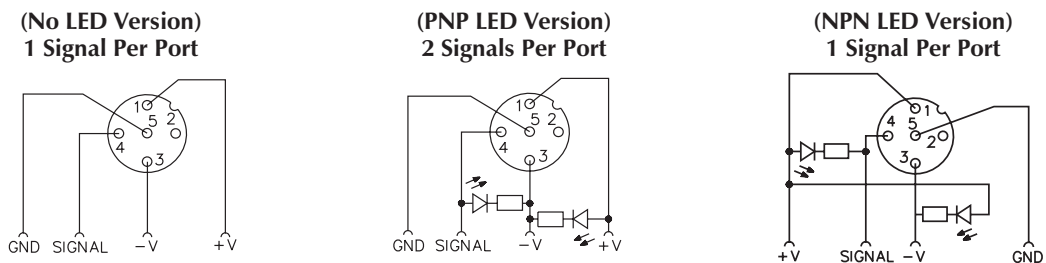
multibox® eurofast® Junction Boxes, 1 Signal Per Port

- 6-Ports
- Rugged Plastic Housing with Flush Connectors
- Available with or without LEDs
- Quick Disconnect or *minifast* Connector

6-port, 1-Signal per Port, 10-48 VDC

Application	Specifications	Pinout	No LEDs	PNP LED	NPN LED																								
6-port J-box 1 signal per port Integral cable	4 A/port, 10 A total, Yellow PVC cable** 9/18 AWG foil shield and 20 AWG drain CSA Certified **with PUR cable, add /S90	<table border="0"> <tr> <td><u>Function</u></td> <td><u>Color</u></td> <td><u>Function</u></td> <td><u>Color</u></td> </tr> <tr> <td>+V</td> <td>BN</td> <td>Port 3</td> <td>YE</td> </tr> <tr> <td>-V</td> <td>BU</td> <td>Port 4</td> <td>GY</td> </tr> <tr> <td>Gnd</td> <td>GN/YE</td> <td>Port 5</td> <td>PK</td> </tr> <tr> <td>Port 1</td> <td>WH</td> <td>Port 6</td> <td>RD</td> </tr> <tr> <td>Port 2</td> <td>GN</td> <td></td> <td></td> </tr> </table>	<u>Function</u>	<u>Color</u>	<u>Function</u>	<u>Color</u>	+V	BN	Port 3	YE	-V	BU	Port 4	GY	Gnd	GN/YE	Port 5	PK	Port 1	WH	Port 6	RD	Port 2	GN			VB 60-*	VB 60-P7X7-*	VB 60-N7X7-*
<u>Function</u>	<u>Color</u>	<u>Function</u>	<u>Color</u>																										
+V	BN	Port 3	YE																										
-V	BU	Port 4	GY																										
Gnd	GN/YE	Port 5	PK																										
Port 1	WH	Port 6	RD																										
Port 2	GN																												
6-port J-box 1 signal per port multifast connector	4 A/port, 7 A total 12-pin multifast connector 9 conductors Mates with CKM 12-9-* CSA Certified	<table border="0"> <tr> <td><u>Function</u></td> <td><u>Pin / Color</u></td> <td><u>Function</u></td> <td><u>Pin / Color</u></td> </tr> <tr> <td>+V</td> <td>1 / BN</td> <td>Port 3</td> <td>7 / YE</td> </tr> <tr> <td>-V</td> <td>3 / BU</td> <td>Port 4</td> <td>8 / GY</td> </tr> <tr> <td>Gnd</td> <td>12 / GN/YE</td> <td>Port 5</td> <td>9 / PK</td> </tr> <tr> <td>Port 1</td> <td>4 / WH</td> <td>Port 6</td> <td>10 / RD</td> </tr> <tr> <td>Port 2</td> <td>6 / GN</td> <td></td> <td></td> </tr> </table>	<u>Function</u>	<u>Pin / Color</u>	<u>Function</u>	<u>Pin / Color</u>	+V	1 / BN	Port 3	7 / YE	-V	3 / BU	Port 4	8 / GY	Gnd	12 / GN/YE	Port 5	9 / PK	Port 1	4 / WH	Port 6	10 / RD	Port 2	6 / GN			VB 60-CS12	VB 60-P7X7-CS12	VB 60-N7X7-CS12
<u>Function</u>	<u>Pin / Color</u>	<u>Function</u>	<u>Pin / Color</u>																										
+V	1 / BN	Port 3	7 / YE																										
-V	3 / BU	Port 4	8 / GY																										
Gnd	12 / GN/YE	Port 5	9 / PK																										
Port 1	4 / WH	Port 6	10 / RD																										
Port 2	6 / GN																												
6-port J-box 1 signal per port, minifast connector	4 A/port 7 A total 12-pin minifast connector 9 conductors Mates with RKM 126-*M CSA Certified	<table border="0"> <tr> <td><u>Function</u></td> <td><u>Pin / Color</u></td> <td><u>Function</u></td> <td><u>Pin / Color</u></td> </tr> <tr> <td>+V</td> <td>10 / RD</td> <td>Port 2</td> <td>2 / BU</td> </tr> <tr> <td>-V</td> <td>11 / WH</td> <td>Port 3</td> <td>3 / WH/BK</td> </tr> <tr> <td>Ground</td> <td>12 / BK</td> <td>Port 4</td> <td>4 / RD/BK</td> </tr> <tr> <td>Port 1</td> <td>1 / OG</td> <td>Port 5</td> <td>5 / GN/BK</td> </tr> <tr> <td></td> <td></td> <td>Port 6</td> <td>6 / OG/BK</td> </tr> </table>	<u>Function</u>	<u>Pin / Color</u>	<u>Function</u>	<u>Pin / Color</u>	+V	10 / RD	Port 2	2 / BU	-V	11 / WH	Port 3	3 / WH/BK	Ground	12 / BK	Port 4	4 / RD/BK	Port 1	1 / OG	Port 5	5 / GN/BK			Port 6	6 / OG/BK	VB 60-RSF120	VB 60-P7X7-RSF120	VB 60-N7X7-RSF120
<u>Function</u>	<u>Pin / Color</u>	<u>Function</u>	<u>Pin / Color</u>																										
+V	10 / RD	Port 2	2 / BU																										
-V	11 / WH	Port 3	3 / WH/BK																										
Ground	12 / BK	Port 4	4 / RD/BK																										
Port 1	1 / OG	Port 5	5 / GN/BK																										
		Port 6	6 / OG/BK																										

Functional Wiring Diagrams

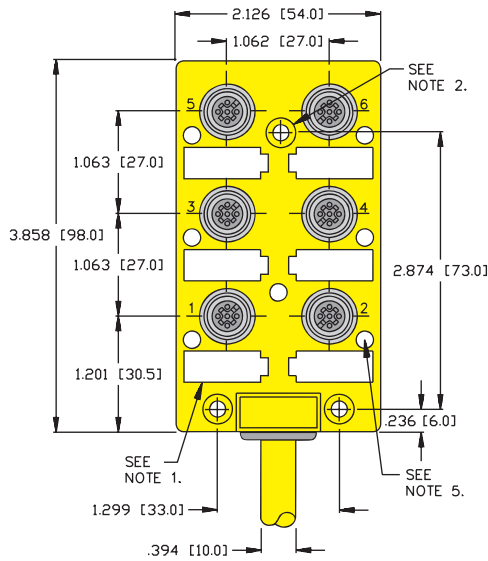


Specifications

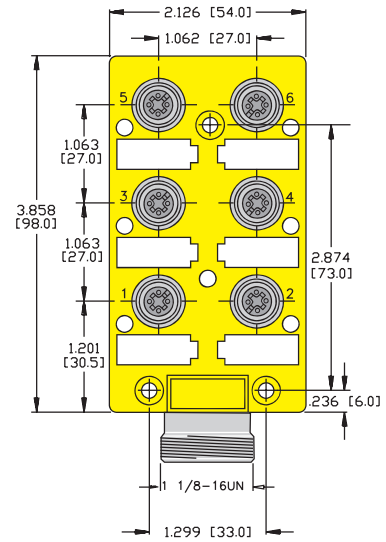
Housing:	Nylon.
Connectors:	eurofast®: Nylon or PUR, spacings to VDE 0110 Group C.
Contacts:	Gold plated brass.
Thread Inserts:	Stainless Steel.
Cable:	See table.
LED current:	10 mA maximum at 48 VDC supply voltage (per LED).
Temperature:	-30°C to +80°C (-22°F to +176°F)
Protection:	NEMA 1, 3, 4, 6P and IEC IP 67.
Accessories:	Includes (2) VZ 3 closure caps and a VZ 1 label kit (8 labels) included.
Cable Length:	Standard length is nominal 5 meters. Other lengths available upon request - Consult factory.

Dimensions

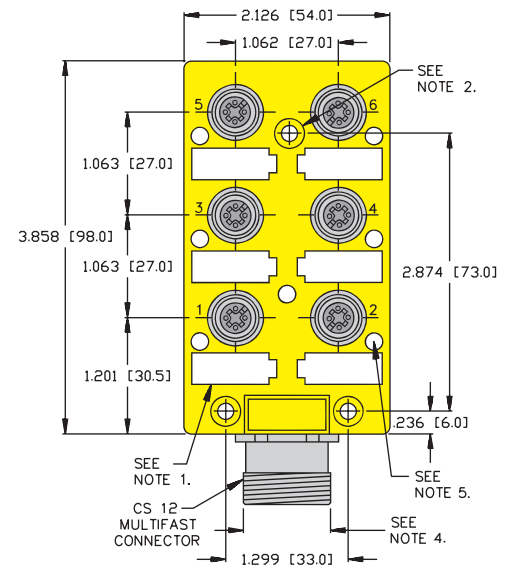
6-Port Integral Home Run Cable



6-Port with *minifast* Home Run Connector



6-Port with *multifast* Home Run Connector



Multibox, eurofast

Notes:

1. Removable labels included (Part number VZ 1).
2. Clearance hole for #8 screw (3 places).
3. Housings with integral cable: 23.0 mm thickness.
Housings with quick disconnect: 33.0 mm thickness.
4. For mating CKM cordsets. See *multifast* pages.
5. Green LED = Power on (center position)
Yellow LED = Signal (outer position)

Pinout

Female	Male	Male
5-pin <i>eurofast</i>	12-pin <i>multifast</i>	12-pin <i>minifast</i>



multibox® eurofast® Junction Boxes, 1 Signal Per Port

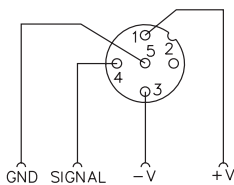
- 8-Ports
- Rugged Plastic Housing with Flush Connectors
- Available with or without LEDs
- Quick Disconnect or *minifast* Connector

8-port, 1-Signal Per Port, 10-48 VDC

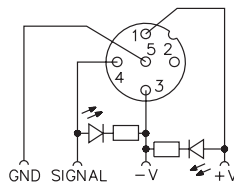
Application	Specifications	Pinout	No LEDs	PNP LED	NPN LED																												
8-port J-box 1 signal per port Integral cable	4 A/port, 5 A total Yellow PVC cable** 11/18 AWG, foil shield and 20 AWG drain CSA Certified **with PUR cable, add /S90	<table border="0"> <tr> <td><u>Function</u></td> <td><u>Color</u></td> <td><u>Function</u></td> <td><u>Color</u></td> </tr> <tr> <td>+V</td> <td>BN</td> <td>Port 4</td> <td>GY</td> </tr> <tr> <td>- V</td> <td>BU</td> <td>Port 5</td> <td>PK</td> </tr> <tr> <td>Gnd</td> <td>GN/YE</td> <td>Port 6</td> <td>RD</td> </tr> <tr> <td>Port 1</td> <td>WH</td> <td>Port 7</td> <td>BK</td> </tr> <tr> <td>Port 2</td> <td>GN</td> <td>Port 8</td> <td>VT</td> </tr> <tr> <td>Port 3</td> <td>YE</td> <td></td> <td></td> </tr> </table>	<u>Function</u>	<u>Color</u>	<u>Function</u>	<u>Color</u>	+V	BN	Port 4	GY	- V	BU	Port 5	PK	Gnd	GN/YE	Port 6	RD	Port 1	WH	Port 7	BK	Port 2	GN	Port 8	VT	Port 3	YE			VB 80-*	VB 80-P7X9-*	VB 80-N7X9-*
<u>Function</u>	<u>Color</u>	<u>Function</u>	<u>Color</u>																														
+V	BN	Port 4	GY																														
- V	BU	Port 5	PK																														
Gnd	GN/YE	Port 6	RD																														
Port 1	WH	Port 7	BK																														
Port 2	GN	Port 8	VT																														
Port 3	YE																																
8-port J-box 1 signal per port multifast connector	4 A/port, 5 A total 12-pin multifast connector 11 conductors Mates with CKM 12-11-* CSA Certified	<table border="0"> <tr> <td><u>Function</u></td> <td><u>Pin / Color</u></td> <td><u>Function</u></td> <td><u>Pin / Color</u></td> </tr> <tr> <td>+V</td> <td>1 / BN</td> <td>Port 4</td> <td>7 / GY</td> </tr> <tr> <td>- V</td> <td>3 / BU</td> <td>Port 5</td> <td>8 / PK</td> </tr> <tr> <td>Gnd</td> <td>12 / GN/YE</td> <td>Port 6</td> <td>9 / RD</td> </tr> <tr> <td>Port 1</td> <td>4 / WH</td> <td>Port 7</td> <td>10 / BK</td> </tr> <tr> <td>Port 2</td> <td>5 / GN</td> <td>Port 8</td> <td>11 / VT</td> </tr> <tr> <td>Port 3</td> <td>6 / YE</td> <td></td> <td></td> </tr> </table>	<u>Function</u>	<u>Pin / Color</u>	<u>Function</u>	<u>Pin / Color</u>	+V	1 / BN	Port 4	7 / GY	- V	3 / BU	Port 5	8 / PK	Gnd	12 / GN/YE	Port 6	9 / RD	Port 1	4 / WH	Port 7	10 / BK	Port 2	5 / GN	Port 8	11 / VT	Port 3	6 / YE			VB 80-CS12	VB 80-P7X9-CS12	VB 80-N7X9-CS12
<u>Function</u>	<u>Pin / Color</u>	<u>Function</u>	<u>Pin / Color</u>																														
+V	1 / BN	Port 4	7 / GY																														
- V	3 / BU	Port 5	8 / PK																														
Gnd	12 / GN/YE	Port 6	9 / RD																														
Port 1	4 / WH	Port 7	10 / BK																														
Port 2	5 / GN	Port 8	11 / VT																														
Port 3	6 / YE																																
8-port J-box 1 signal per port, minifast connector	4 A/port 5 A total 12-pin minifast connector 11 conductors Mates with RKM 126-* CSA certified	<table border="0"> <tr> <td><u>Function</u></td> <td><u>Pin / Color</u></td> <td><u>Function</u></td> <td><u>Pin / Color</u></td> </tr> <tr> <td>+V</td> <td>10 / RD</td> <td>Port 3</td> <td>3 / WH/BK</td> </tr> <tr> <td>-V</td> <td>11 / WH</td> <td>Port 4</td> <td>4 / RD/BK</td> </tr> <tr> <td>Ground</td> <td>12 / BK</td> <td>Port 5</td> <td>5 / GN/BK</td> </tr> <tr> <td>Port 1</td> <td>1 / OG</td> <td>Port 6</td> <td>6 / OG/BK</td> </tr> <tr> <td>Port 2</td> <td>2 / BU</td> <td>Port 7</td> <td>7 / BU/BK</td> </tr> <tr> <td></td> <td></td> <td>Port 8</td> <td>8 / BK/WH</td> </tr> </table>	<u>Function</u>	<u>Pin / Color</u>	<u>Function</u>	<u>Pin / Color</u>	+V	10 / RD	Port 3	3 / WH/BK	-V	11 / WH	Port 4	4 / RD/BK	Ground	12 / BK	Port 5	5 / GN/BK	Port 1	1 / OG	Port 6	6 / OG/BK	Port 2	2 / BU	Port 7	7 / BU/BK			Port 8	8 / BK/WH	VB 80-RSF120	VB 80-P7X9-RSF120	VB 80-N7X9-RSF120
<u>Function</u>	<u>Pin / Color</u>	<u>Function</u>	<u>Pin / Color</u>																														
+V	10 / RD	Port 3	3 / WH/BK																														
-V	11 / WH	Port 4	4 / RD/BK																														
Ground	12 / BK	Port 5	5 / GN/BK																														
Port 1	1 / OG	Port 6	6 / OG/BK																														
Port 2	2 / BU	Port 7	7 / BU/BK																														
		Port 8	8 / BK/WH																														

Functional Wiring Diagrams

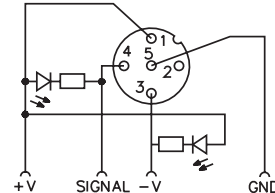
**(No LED Version)
1 Signal Per Port**



**(PNP LED Version)
2 Signals Per Port**



**(NPN LED Version)
1 Signal Per Port**

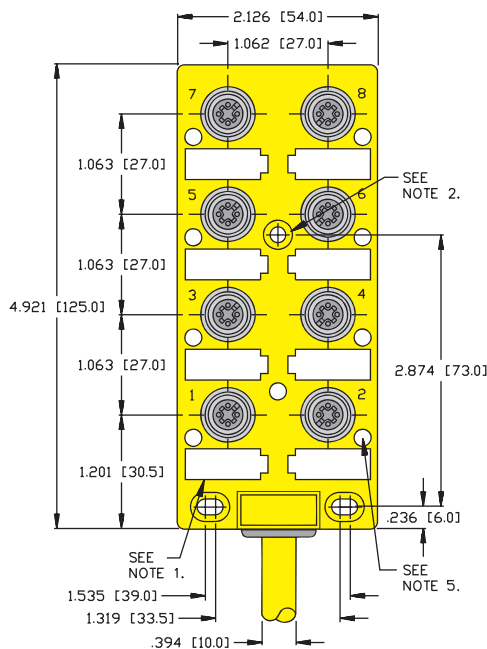


Specifications

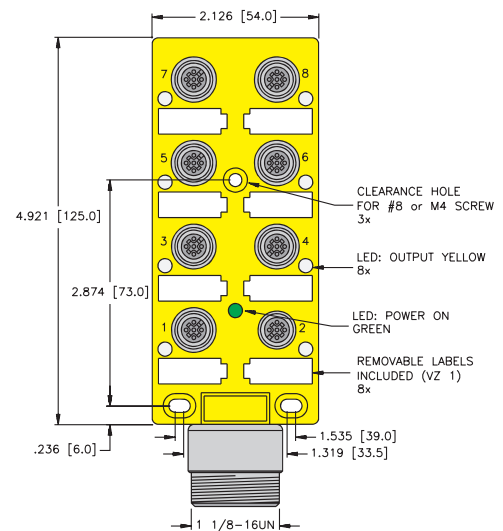
Housing:	Nylon.
Connectors:	eurofast®: Nylon or PUR, spacings to VDE 0110 Group C.
Contacts:	Gold plated brass.
Thread Inserts:	Stainless Steel.
Cable:	See table.
LED current:	10 mA maximum at 48 VDC supply voltage (per LED).
Temperature:	-30°C to +80°C (-22°F to +176°F)
Protection:	NEMA 1, 3, 4, 6P and IEC IP 67.
Accessories:	Includes (2) VZ 3 closure caps and a VZ 1 label kit (8 labels) included.
Cable Length:	Standard length is nominal 5 meters. Other lengths available upon request - Consult factory.

Dimensions

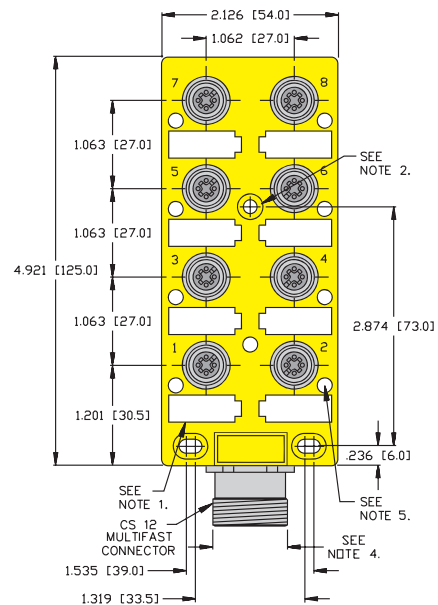
8-Port Integral Home Run Cable



8-Port with *minifast* Home Run Connector



8-Port with *multifast* Home Run Connector



Notes:

1. Removable labels included (Part number VZ 1).
2. Clearance hole for #8 screw (3 places).
3. Housings with integral cable: 23.0 mm thickness.
Housings with quick disconnect: 33.0 mm thickness.
4. For mating CKM cordsets. See **multifast** pages.
5. Green LED = Power on (center position) Yellow LED = Signal (outer position)

Pinout

Female	Male	Male
5-pin <i>eurofast</i>	12-pin <i>multifast</i>	12-pin <i>minifast</i>

Multibox, eurofast



multibox® eurofast® Junction Boxes, 2 Signals Per Port

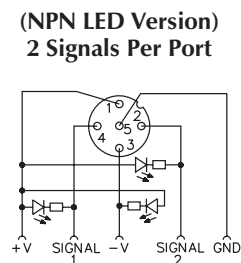
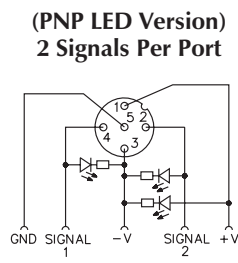
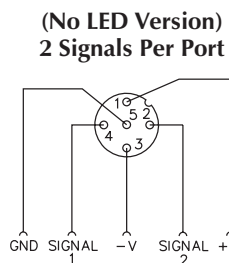
- 4-Ports
- Rugged Plastic Housing with Flush Connectors
- Available with or without LEDs
- Quick Disconnect or minifast Connector



4-port, 2-Signals per Port, 10-48 VDC

Application	Specifications	Pinout		No LEDs	PNP LED	NPN LED
4-port J-box 2 signals per port Integral cable	3 A/port, 9 A total Yellow PVC cable** 3/18 AWG, 8/22 AWG, foil shield and 22 AWG drain CSA Certified **with PUR cable, add /S90	<u>Function</u>	<u>Color</u>	<u>Function</u>	<u>Color</u>	
		+V	BN	Port 2, Sig 1	GN	VB 40.5-*
-V	BU	Port 2, Sig 2	RD/BU	VB 40.5-N7X9-*		
Gnd	GN/YE	Port 3, Sig 1	YE			
Port 1, Sig 1	WH	Port 3, Sig 2	WH/GN			
Port 1, Sig 2	GY/PK	Port 4, Sig 1	GY			
		Port 4, Sig 2	BN/GN			
4-port J-box 2 signals per port multifast connector	3 A/port, 9 A total 19-pin multifast connector 11 conductors Mates with CKM 19-11-* CSA Certified	<u>Function</u>	<u>Pin / Color</u>	<u>Function</u>	<u>Pin / Color</u>	
		+V	19 / BN	Port 2, Sig 1	5 / GN	VB 40.5-CS19
-V	6 / BU	Port 2, Sig 2	4 / RD/BU	VB 40.5-N7X9-CS19		
Gnd	12 / GN/YE	Port 3, Sig 1	16 / YE			
Port 1, Sig 1	15 / WH	Port 3, Sig 2	8 / WH/GN			
Port 1, Sig 2	7 / GY/PK	Port 4, Sig 1	3 / GY			
		Port 4, Sig 2	14 / BN/GN			

Functional Wiring Diagrams

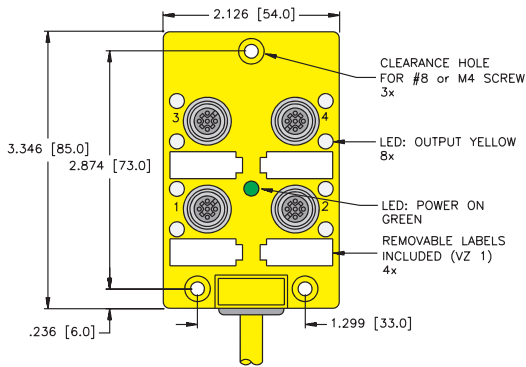


Specifications

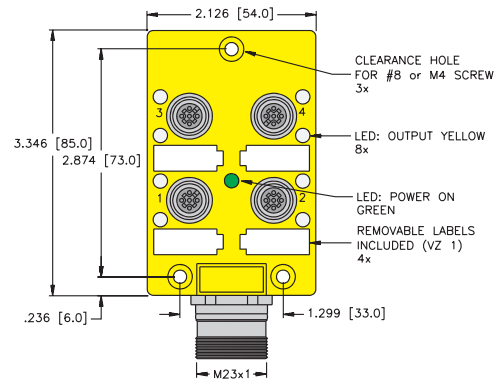
Housing:	Nylon.
Connectors:	eurofast [®] : Nylon or PUR, spacings to VDE 0110 Group C.
Contacts:	Gold plated brass.
Thread Inserts:	Stainless Steel.
Cable:	See table.
LED current:	10 mA maximum at 48 VDC supply voltage (per LED).
Temperature:	-30°C to +80°C (-22°F to +176°F).
Protection:	NEMA 1, 3, 4, 6P and IEC IP 67.
Accessories:	Includes (2) VZ 3 closure caps and a VZ 1 label kit (8 labels) included.
Recommended Splitter:	YB2-FSM 4.5-2 FKM 4.5/S1063.

Dimensions

4-Port with Integral Home Run Cable



4-Port with *multifast* Home Run Connector



Notes:

1. Removable labels included (Part number VZ 1).
2. Clearance hole for #8 screw (3 places).
3. Housings with integral cable: 23.0 mm thickness.
Housings with quick disconnect: 33.0 mm thickness.
4. For mating CKM cordsets. See *multifast* pages.
5. Green LED = Power on (center position)
Yellow LED = Signal (outer position)

Pinout

Female	Male
5-pin eurofast	19-pin multifast



multibox® eurofast® Junction Boxes, 2 Signals Per Port

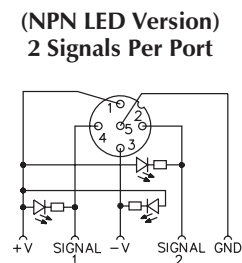
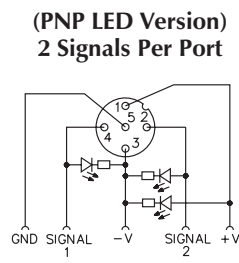
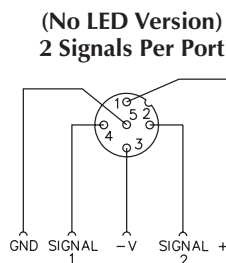
- 6 Ports
- Rugged Plastic Housing with Flush Connectors
- Available with or without LEDs
- Quick Disconnect or minifast Connector



6-port, 2-Signals per Port, 10-48 VDC

Application	Specifications	Pinout		No LEDs	PNP LED	NPN LED		
6-port J-box 2 signals per port Integral cable	3 A/port, 9 A total Yellow PVC cable** 3/18 AWG, 12/22 AWG, foil shield and 22 AWG drain CSA Certified **with PUR cable add /S90	<u>Function</u> +V - V Gnd Port 1, Sig 1 Port 1, Sig 2 Port 2, Sig 1 Port 2, Sig 2	<u>Color</u> BN BU GN/YE WH GY/PK GN RD/BU	<u>Function</u> Port 3, Sig 1 Port 3, Sig 2 Port 4, Sig 1 Port 4, Sig 2 Port 5, Sig 1 Port 5, Sig 2 Port 6, Sig 1 Port 6, Sig 2	<u>Color</u> YE WH/GN GY BN/GN PK WH/YE RD YE/BN	VB 60.5-*	VB 60.5-P7X13-*	VB 60.5-N7X13-*
6-port J-box 2 signal per port multifast connector	10-48 VDC 3 A/port, 9 A total 19-pin multifast connector 15 conductors Mates with CKM 19-15- CSA Certified	<u>Function</u> +V - V Gnd Port 1, Sig 1 Port 1, Sig 2 Port 2, Sig 1 Port 2, Sig 2	<u>Pin / Color</u> 19 / BN 6 / BU 12 / GN/YE 15 / WH 7 / GY/PK 5 / GN 4 / RD/BU	<u>Function</u> Port 3, Sig 1 Port 3, Sig 2 Port 4, Sig 1 Port 4, Sig 2 Port 5, Sig 1 Port 5, Sig 2 Port 6, Sig 1 Port 6, Sig 2	<u>Pin / Color</u> 16 / YE 8 / WH/GN 3 / GY 14 / BN/GN 17 / PK 9 / WH/YE 2 / RD 13 / YE/BN	VB 60.5-CS19	VB 60.5-P7X13-CS19	VB 60.5-N7X13-CS19

Functional Wiring Diagrams

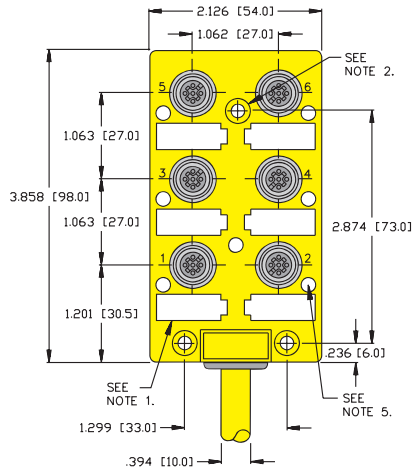


Specifications

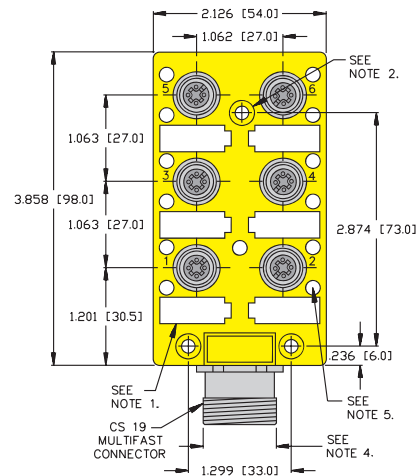
Housing:	Nylon.
Connectors:	eurofast®: Nylon or PUR, spacings to VDE 0110 Group C.
Contacts:	Gold plated brass.
Thread Inserts:	Stainless Steel.
Cable:	See table.
LED current:	10 mA maximum at 48 VDC supply voltage (per LED).
Temperature:	-30°C to +80°C (-22°F to +176°F).
Protection:	NEMA 1, 3, 4, 6P and IEC IP 67.
Accessories:	Includes (2) VZ 3 closure caps and a VZ 1 label kit (8 labels) included.
Recommended Splitter:	YB2-FSM 4.5-2 FKM 4.5/S1063.

Dimensions

6-Port Integral Home Run Cable



6-Port with *multifast* Home Run Connector



Notes:

1. Removable labels included (Part number VZ 1).
2. Clearance hole for #8 screw (3 places).
3. Housings with integral cable: 23.0 mm thickness.
Housings with quick disconnect: 33.0 mm thickness.
4. For mating CKM cordsets. See *multifast* pages.
5. Green LED = Power on (center position)
Yellow LED = Signal (outer position)

Pinout

Female	Male
5-pin eurofast	19-pin multifast



multibox® eurofast® Junction Boxes, 2 Signals Per Port

- 8 Ports
- Rugged Plastic Housing with Flush Connectors
- Available with or without LEDs
- Quick Disconnect or minifast Connector

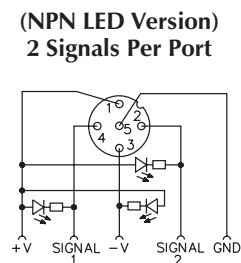
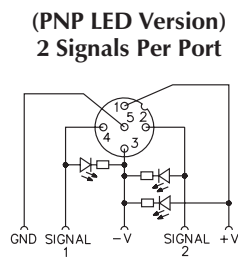
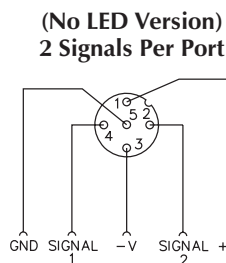


8-port, 2-Signals per Port, 10-48 VDC

Application	Specifications	Pinout		No LEDs	PNP LED	NPN LED
8-port J-box 2 signals per port Integral cable	3 A/port, 8 A total Yellow PVC cable** 3/18 AWG, 16/22 AWG, foil shield and 22 AWG drain CSA Certified **with PUR cable, add /S90	<u>Function</u>	<u>Color</u>	<u>Function</u>	<u>Color</u>	
		+V	BN	Port 4, Sig 1	GY	VB 80.5-*
-V	BU	Port 4, Sig 2	BN/GN			
Gnd	GN/YE	Port 5, Sig 1	PK			
Port 1, Sig 1	Wh	Port 5, Sig 2	Wh/YE			
Port 1, Sig 2	GY/PK	Port 6, Sig 1	RD			
Port 2, Sig 1	GN	Port 6, Sig 2	YE/BN			
Port 2, Sig 2	RD/BU	Port 7, Sig 1	BK			
Port 3, Sig 1	YE	Port 7, Sig 2	Wh/GY			
Port 3, Sig 2	Wh/GN	Port 8, Sig 1	VT			
		Port 8, Sig 2	GY/BN			
8-port J-box 2 signal per port multifast connector	3 A/port, 8 A total 19-pin multifast connector 19 conductors Mates with CKM 19-19- CSA Certified	<u>Function</u>	<u>Pin / Color</u>	<u>Function</u>	<u>Pin / Color</u>	
		+V	19 / BN	Port 4, Sig 1	3 / GY	VB 80.5-CS19
-V	6 / BU	Port 4, Sig 2	14 / BN/GN			
Gnd	12 / GN/YE	Port 5, Sig 1	17 / PK			
Port 1, Sig 1	15 / Wh	Port 5, Sig 2	9 / Wh/YE			
Port 1, Sig 2	7 / GY/PK	Port 6, Sig 1	2 / RD			
Port 2, Sig 1	5 / GN	Port 6, Sig 2	13 / YE/BN			
Port 2, Sig 2	4 / RD/BU	Port 7, Sig 1	11 / BK			
Port 3, Sig 1	16 / YE	Port 7, Sig 2	10 / Wh/GY			
Port 3, Sig 2	8 / Wh/GN	Port 8, Sig 1	1 / VT			
		Port 8, Sig 2	18 / GY/BN			

* Cable length in meters.

Functional Wiring Diagrams

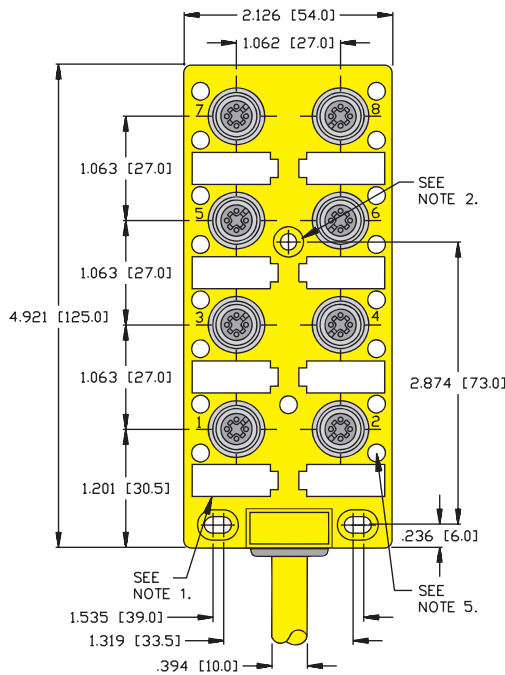


Specifications

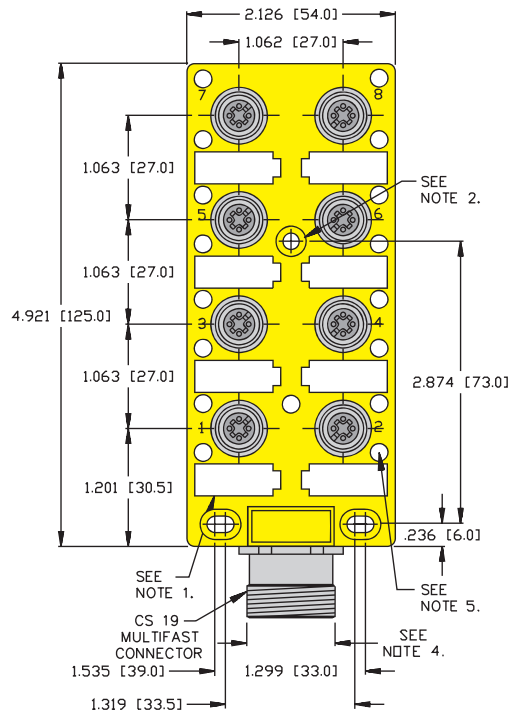
Housing:	Nylon.
Connectors:	eurofast®: Nylon or PUR, spacings to VDE 0110 Group C.
Contacts:	Gold plated brass.
Thread Inserts:	Stainless Steel.
Cable:	See table.
LED current:	10 mA maximum at 48 VDC supply voltage (per LED).
Temperature:	-30°C to +80°C (-22°F to +176°F).
Protection:	NEMA 1, 3, 4, 6P and IEC IP 67.
Accessories:	Includes (2) VZ 3 closure caps and a VZ 1 label kit (8 labels) included.
Recommended Splitter:	YB2-FSM 4.5-2 FKM 4.5/S1063.

Dimensions

8-Port Integral Home Run Cable



8-Port with *multifast* Home Run Connector



Notes:

1. Removable labels included (Part number VZ 1).
2. Clearance hole for #8 screw (3 places).
3. Housings with integral cable: 23.0 mm thickness.
Housings with quick disconnect: 33.0 mm thickness.
4. For mating CKM cordsets. See *multifast* pages.
5. Green LED = Power on (center position)
Yellow LED = Signal (outer position)

Pinout

Female	Male
5-pin eurofast	19-pin multifast



multibox® eurofast® Junction Boxes, 1 Signal Per Port, Metal

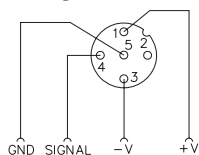
- 4 Ports
- Metal Housing with Side Connectors
- For DC Sensors and Actuators
- Quick Disconnect or Integral Home Run Cable
- Available with or without LEDs

4-port, 1 Signal Per Port, 10-48 VDC

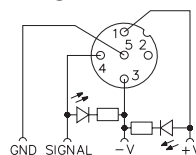
Application	Specifications	Pinout		No LEDs	PNP LEDs	
4-port J-box 1 signal per port Metal box Integral cable	4 A/port, 12 A total Yellow PVC cable 7/18 AWG foil shield and 20 AWG drain	Function +V - V Ground	Color BN BU GN / YE	Function Port 1 Port 2 Port 3 Port 4	Color Wh GN YE GY	VBM 40-* VBM 40-P7X5-*
4-port J-box 1 signal per port Metal box multifast connector	4 A/port, 8 A total 12-pin multifast connector 7 conductors Mates with CKM 12-7-*	Function +V - V Ground	Pin / Color 1 / BN 3 / BU 12 / GN/YE	Function Port 1 Port 2 Port 3 Port 4	Pin / Color 4 / WH 6 / GN 7 / YE 8 / GY	VBM 40-CS12 VBM 40-P7X5-CS12
4-port J-box 1 signal per port, Metal box minifast connector	4 A/port, 8 A total 12-pin minifast connector 7 conductors, Mates with RKM 126-*M CSA Certified	Function +V -V Ground Port 1 Port 2	Pin/Color 10 / RD 11 / WH 12 / BK 1 / OG 2 / BU	Function Port 3 Port 4	Pin/Color 3 / WH/BK 4 / RD/BK	VBM 40-RSF120 VBM 40-P7X5-RSF120

Functional Wiring Diagrams

**(No LED Version)
1 Signal Per Port**



**(PNP LED Version)
1 Signal Per Port**

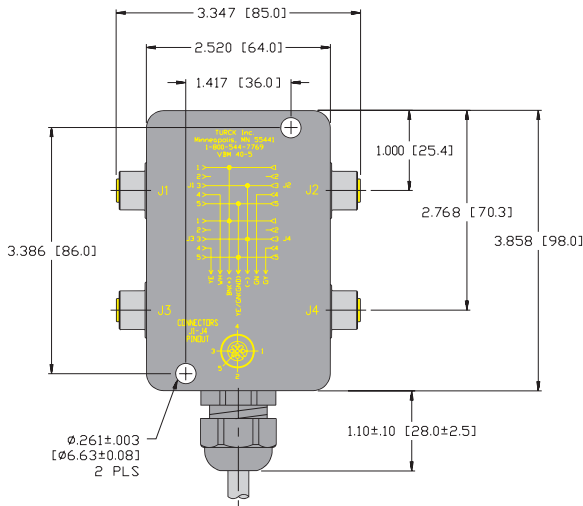


Specifications

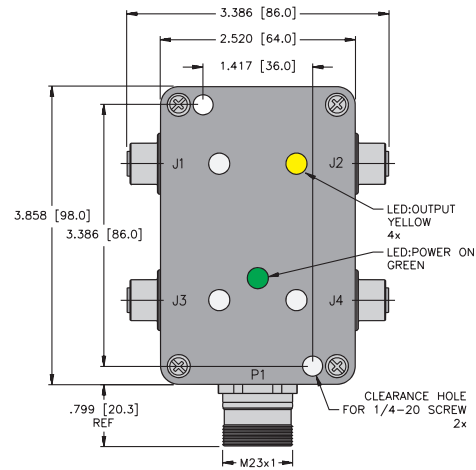
Housing:	Die-cast aluminum alloy.
Connectors:	eurofast [®] : Nylon or PUR, spacings to VDE 0110 Group C.
Contacts:	Gold plated brass.
Thread Inserts:	Nickel plated brass.
Cable:	See table.
LED Current:	10 mA maximum at 40 VDC supply voltage (per LED).
Temperature:	-30°C to +80°C (-22°F to +176°F)
Protection:	NEMA 1, 3, 4, 6P and IEC IP 67.
Accessories:	(2) VZ 3 closure caps included.
Cable Length:	Standard length for junction boxes and multifast [®] series quick disconnect cordsets is nominal 5 meters. Other lengths available by request. Consult factory.

Dimensions

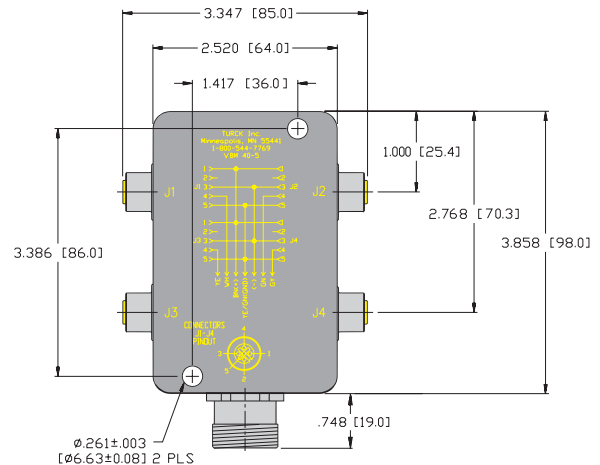
4-Port with Integral Home Run Cable



4-Port with *multifast* Home Run Connector



4-Port with *minifast* Home Run Connector



Pinout

Female	Male	Male
5-pin <i>eurofast</i>	12-pin <i>minifast</i>	12-pin <i>multifast</i>



multibox® eurofast® Junction Boxes, 1 Signal Per Port, Metal

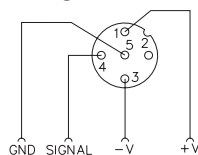
- 8 Ports
- Metal Housing with Side Connectors
- For DC Sensors and Actuators
- Quick Disconnect or Integral Home Run Cable
- Available with or without LEDs

8-port, 1 Signal Per Port, 10-48 VDC

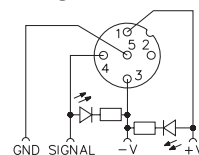
Application	Specifications	Pinout		No LEDs	PNP LEDs		
8-port J-box 1 signal per port Metal box Integral cable	4 A/port, 12 A total Yellow PVC cable 11/18 AWG, foil shield and 20 AWG drain	Function	Color	Function	Color	VBM 80-*	VBM 80-P7X9-*
		+V	BN	Port 4	GY		
		-V	BU	Port 5	PK		
		Ground	GN / YE	Port 6	RD		
		Port 1	WH	Port 7	BK		
		Port 2	GN	Port 8	VT		
		Port 3	YE				
8-port J-box 1 signal per port Metal box multifast connector	4 A/port, 8 A total 12-pin multifast connector 9 conductors Mates with CKM 12-11-*	Function	Pin / Color	Function	Pin / Color	VBM 80-CS12	VBM 80-P7X9-CS12
		+V	1 / BN	Port 4	7 / GY		
		-V	3 / BU	Port 5	8 / PK		
		Ground	12 / GN/YE	Port 6	9 / RD		
		Port 1	4 / WH	Port 7	10 / BK		
		Port 2	5 / GN	Port 8	11 / VT		
		Port 3	6 / YE				
8-port J-box 1 signal per port Metal box minifast connector	4 A/port, 8 A total 12-pin minifast connector 9 conductors, Mates with RKM 126- CSA Certified	Function	Pin/Color	Function	Pin/Color	VBM 80-RSF120	VBM 80-P7X9-RSF120
		+V	10 / RD	Port 3	3 / WH/BK		
		-V	11 / WH	Port 4	4 / RD/BK		
		Ground	12 / BK	Port 5	5 / GN/BK		
		Port 1	1 / OG	Port 6	6 / OG/BK		
		Port 2	2 / BU	Port 7	7 / BU/BK		
				Port 8	8 / BK/WH		

Functional Wiring Diagrams

**(No LED Version)
1 Signal Per Port**



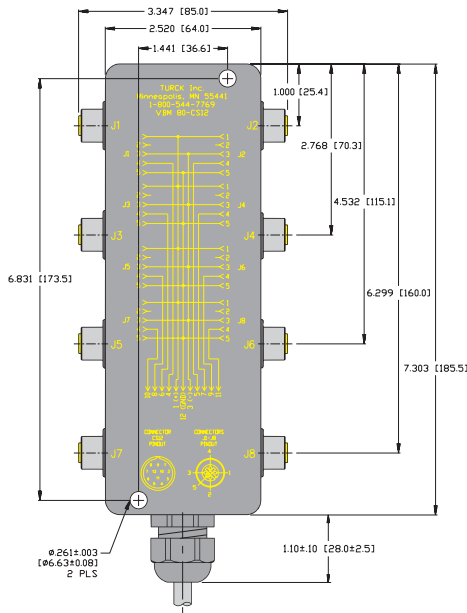
**(PNP LED Version)
1 Signal Per Port**



Specifications

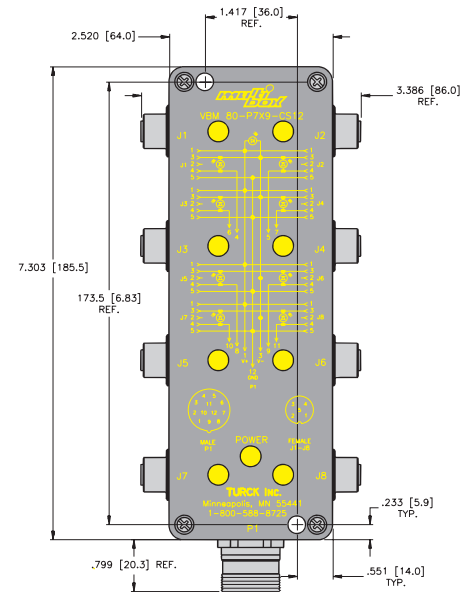
Housing:	Die-cast aluminum alloy.
Connectors:	eurofast [®] : Nylon or PUR, spacings to VDE 0110 Group C.
Contacts:	Gold plated brass.
Thread Inserts:	Nickel plated brass.
Cable:	See table.
LED Current:	10 mA maximum at 40 VDC supply voltage (per LED).
Temperature:	-30°C to +80°C (-22°F to +176°F)
Protection:	NEMA 1, 3, 4, 6P and IEC IP 67.
Accessories:	(2) VZ 3 closure caps included.
Cable Length:	Standard length for junction boxes and multifast [®] series quick disconnect cordsets is nominal 5 meters. Other lengths available by request. Consult factory.

8-Port with Integral Home Run Cable

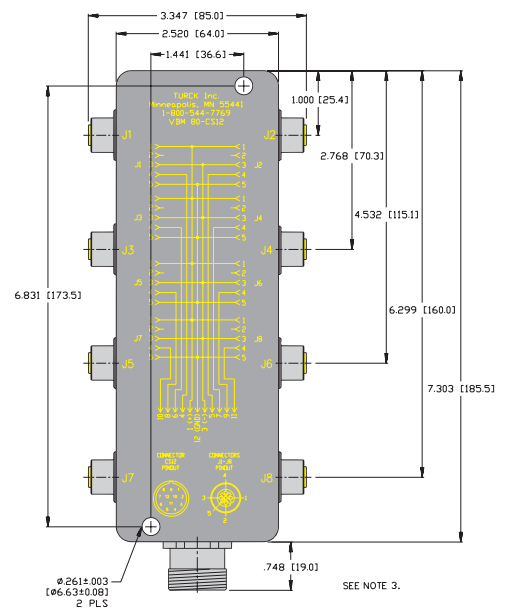


Dimensions

8-Port with *multifast* Home Run Connector



8-Port with *minifast* Home Run Connector



Pinout

Female	Male	Male
5-pin eurofast	12-pin minifast	12-pin multifast

Multibox, eurofast



multibox® eurofast® Junction Box, 16-port

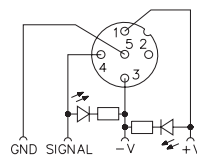
- Single Output per Port
- Rugged Plastic Housing with Flush Connectors
- Quick Disconnect
- Available with LEDs

16-port, 1-Signal per Port, 10-48 VDC

Application	Specifications	Pinout		PNP LED		
16-port J-box 1 signal per port multifast connector	4 A/port 8 A total 12-pin multifast connector Mates with CKM 19-19- CSA Certified	Function	Pin / Color	Function	Pin / Color	16MB12-4P2-CS19
		+V	19 / BN	Port 7	3 / GY	
		-V	6 / BU	Port 8	14 / BN / GN	
		Ground	12 / GN / YE	Port 9	17 / PK	
		Port 1	15 / WH	Port 10	9 / WH / YE	
		Port 2	7 / GY / PK	Port 11	2 / RD	
		Port 3	5 / GN	Port 12	13 / YE / BN	
		Port 4	4 / RD / BU	Port 13	11 / BK	
		Port 5	16 / YE	Port 14	10 / WH / GY	
		Port 6	8 / WH / GN	Port 15	1 / VT	
				Port 16	18 / GY / BN	

Functional Wiring Diagram

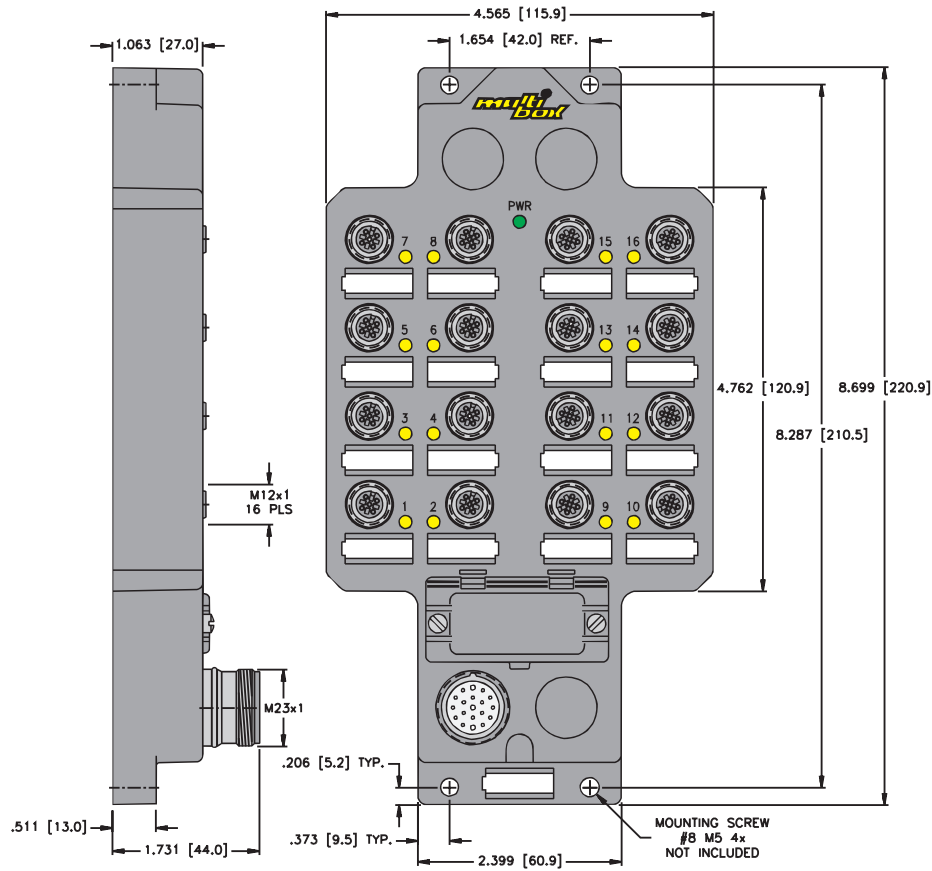
(PNP LED Version)
1 Signal Per Port



Specifications

- Housing:** Nylon.
- Connectors:** Nylon/BK (1,1A-8,8A), Nitrile/Yellow (P1), spacings to VDE 0110 Group C.
- Contacts:** Gold plated brass.
- Thread Inserts:** Nickel plated brass.
- LED current:** 10 mA maximum at 48 VDC supply voltage (per LED).
- Temperature:** -30°C to +80°C (-22°F to +176°F).
- Protection:** To DIN 40050, IEC IP 67
- Accessories:** Includes (2) VZ 3 closure caps and a VZ 1 label kit (16 labels) included.
- Cable Length:** Standard length is nominal 5 meters. Other lengths available upon request - Consult factory.

Dimensions



Pinout

Female	Male
5-pin eurofast	19-pin multifast

Multibox, eurofast



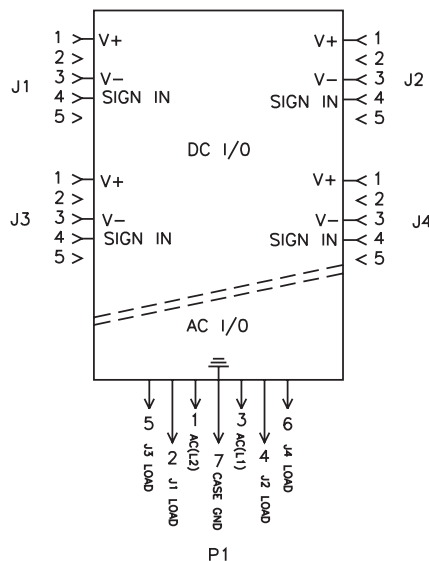
multibox® eurofast® AC/DC Junction Box, 4-Port

- 4 Ports for connecting DC sensors
- Integrated DC power supply
- Solid-State AC output from DC sensors
- LED shows power supply function
- Home run wiring matches standard AC style junction boxes for easy installation

4-port, 85-132 VAC

Application	Specifications	Pinout	Part Number																
4-Port J-box for DC sensors in AC applications	85 - 132 VAC input 24 VDC output to sensors 100 mA output per port 7-pin <i>minifast</i> ® connector Mates with RKM 76-*M	<table border="0"> <tr> <td>Function</td> <td>Pin/Color</td> </tr> <tr> <td>L1 AC Common</td> <td>3 / WH</td> </tr> <tr> <td>L2 AC</td> <td>1 / WH / BK</td> </tr> <tr> <td>Ground</td> <td>7 / GN</td> </tr> <tr> <td>J1 Load (L2)</td> <td>2 / BK</td> </tr> <tr> <td>J2 Load (L2)</td> <td>4 / RD</td> </tr> <tr> <td>J3 Load (L2)</td> <td>5 / OG</td> </tr> <tr> <td>J4 Load (L2)</td> <td>6 / BU</td> </tr> </table>	Function	Pin/Color	L1 AC Common	3 / WH	L2 AC	1 / WH / BK	Ground	7 / GN	J1 Load (L2)	2 / BK	J2 Load (L2)	4 / RD	J3 Load (L2)	5 / OG	J4 Load (L2)	6 / BU	VBM-AC/DC/AC-RSM 70/ADAPTER BOX
Function	Pin/Color																		
L1 AC Common	3 / WH																		
L2 AC	1 / WH / BK																		
Ground	7 / GN																		
J1 Load (L2)	2 / BK																		
J2 Load (L2)	4 / RD																		
J3 Load (L2)	5 / OG																		
J4 Load (L2)	6 / BU																		

Functional Wiring Diagram

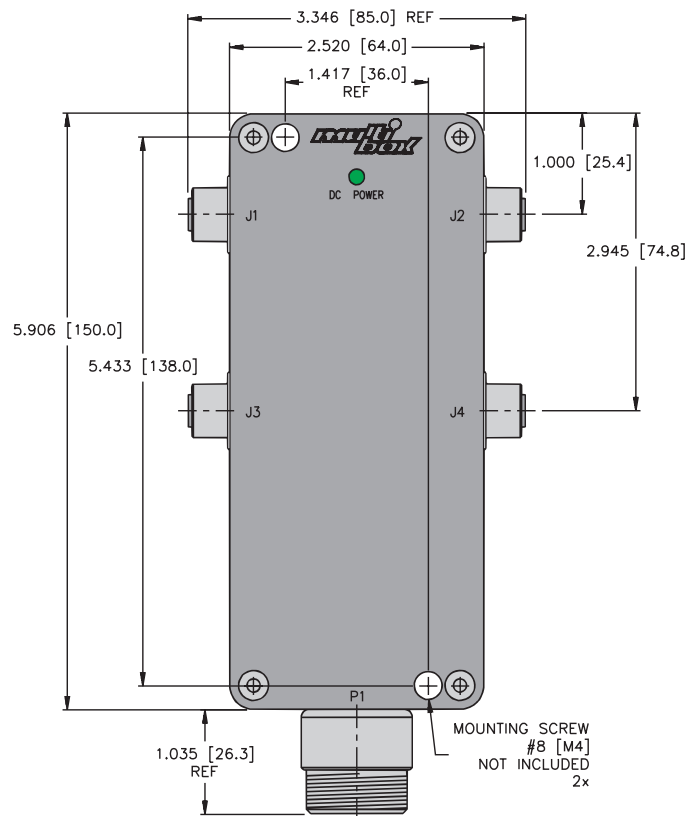


Specifications

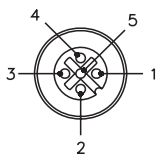
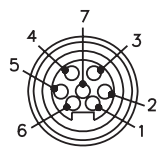
Housing:	Die cast aluminum alloy.
Contact Carrier:	eurofast ®: Nylon or PUR. minifast ®: PUR.
Contacts:	Gold plated brass.
Thread Inserts:	Nickel plated brass.
Temperature:	-30°C to +70°C (-22°C to +158°F).
Protection:	NEMA 1, 3, 4, 6P and IEC IP 67.
Accessories:	VZ 3 Closure Caps (2 included).

Dimensions

4-Port



Pinout

Female	Male
	
5-pin eurofast	7-pin minifast



multibox® picofast® Junction Boxes, 4-port, 3-Pin

- Snap Lock or Threaded Connectors
- Available with or without LEDs
- Quick Disconnect or Integral Home Run Cable

4-port, Snap Lock, 10-48 VDC

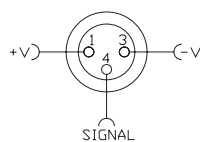
Application	Specifications	Pinout	No LEDs	PNP LED														
4-port J-box Snap lock connectors Top Integral cable	3 A/port, 3 A total Black PVC 6/24 AWG	<table border="0"> <tr> <td><u>Function</u></td> <td><u>Color</u></td> </tr> <tr> <td>+V</td> <td>BN</td> </tr> <tr> <td>- V</td> <td>BU</td> </tr> <tr> <td>Port 1</td> <td>WH</td> </tr> <tr> <td>Port 2</td> <td>GN</td> </tr> <tr> <td>Port 3</td> <td>YE</td> </tr> <tr> <td>Port 4</td> <td>GY</td> </tr> </table>	<u>Function</u>	<u>Color</u>	+V	BN	- V	BU	Port 1	WH	Port 2	GN	Port 3	YE	Port 4	GY	VB 403Z-*	VB 403Z-PX5-*
<u>Function</u>	<u>Color</u>																	
+V	BN																	
- V	BU																	
Port 1	WH																	
Port 2	GN																	
Port 3	YE																	
Port 4	GY																	
4-port J-box 1 signal per port Snap lock connectors Side Integral cable	3 A/port 4 A total Black PVC cable 6/24 AWG	<table border="0"> <tr> <td><u>Function</u></td> <td><u>Pin</u></td> </tr> <tr> <td>+V</td> <td>5</td> </tr> <tr> <td>- V</td> <td>7</td> </tr> <tr> <td>Port 1</td> <td>1</td> </tr> <tr> <td>Port 2</td> <td>2</td> </tr> <tr> <td>Port 3</td> <td>3</td> </tr> <tr> <td>Port 4</td> <td>4</td> </tr> </table>	<u>Function</u>	<u>Pin</u>	+V	5	- V	7	Port 1	1	Port 2	2	Port 3	3	Port 4	4	VB 403Z-*C	VB 403Z-PX5-*C
<u>Function</u>	<u>Pin</u>																	
+V	5																	
- V	7																	
Port 1	1																	
Port 2	2																	
Port 3	3																	
Port 4	4																	
4-port J-box Snap lock connectors eurofast connector	3 A/port, 3 A total 8-pin eurofast connector 6 conductors mates with RKC 8.6T-*	<table border="0"> <tr> <td><u>Function</u></td> <td><u>Pin</u></td> </tr> <tr> <td>+V</td> <td>5</td> </tr> <tr> <td>- V</td> <td>7</td> </tr> <tr> <td>Port 1</td> <td>1</td> </tr> <tr> <td>Port 2</td> <td>2</td> </tr> <tr> <td>Port 3</td> <td>3</td> </tr> <tr> <td>Port 4</td> <td>4</td> </tr> </table>	<u>Function</u>	<u>Pin</u>	+V	5	- V	7	Port 1	1	Port 2	2	Port 3	3	Port 4	4	VB 403Z-FS 8	VB 403Z-PX5-FS 8
<u>Function</u>	<u>Pin</u>																	
+V	5																	
- V	7																	
Port 1	1																	
Port 2	2																	
Port 3	3																	
Port 4	4																	

4-port, Threaded, 10-48 VDC

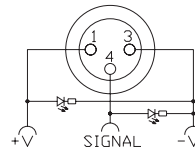
Application	Specifications	Pinout	No LEDs	PNP LED														
4-port J-box Threaded connectors Top Integral connector	3 A/port, 3 A total Black PVC 6/24 AWG	<table border="0"> <tr> <td><u>Function</u></td> <td><u>Color</u></td> </tr> <tr> <td>+V</td> <td>BN</td> </tr> <tr> <td>- V</td> <td>BU</td> </tr> <tr> <td>Port 1</td> <td>WH</td> </tr> <tr> <td>Port 2</td> <td>GN</td> </tr> <tr> <td>Port 3</td> <td>YE</td> </tr> <tr> <td>Port 4</td> <td>GY</td> </tr> </table>	<u>Function</u>	<u>Color</u>	+V	BN	- V	BU	Port 1	WH	Port 2	GN	Port 3	YE	Port 4	GY	VB 403M-*	VB 403M-PX5-*
<u>Function</u>	<u>Color</u>																	
+V	BN																	
- V	BU																	
Port 1	WH																	
Port 2	GN																	
Port 3	YE																	
Port 4	GY																	
4-port J-box 1 signal per port Threaded conductors Side Integral cable	3 A/port 4 A total Black PVC cable 6/24 AWG	<table border="0"> <tr> <td><u>Function</u></td> <td><u>Pin</u></td> </tr> <tr> <td>+V</td> <td>5</td> </tr> <tr> <td>- V</td> <td>7</td> </tr> <tr> <td>Port 1</td> <td>1</td> </tr> <tr> <td>Port 2</td> <td>2</td> </tr> <tr> <td>Port 3</td> <td>3</td> </tr> <tr> <td>Port 4</td> <td>4</td> </tr> </table>	<u>Function</u>	<u>Pin</u>	+V	5	- V	7	Port 1	1	Port 2	2	Port 3	3	Port 4	4	VB 403M-*C	VB 403M-PX5-*C
<u>Function</u>	<u>Pin</u>																	
+V	5																	
- V	7																	
Port 1	1																	
Port 2	2																	
Port 3	3																	
Port 4	4																	
4-port J-box Threaded connectors eurofast connector	3 A/port, 3 A total 8-pin eurofast connector 6 conductors mates with RKC 8.6T-*	<table border="0"> <tr> <td><u>Function</u></td> <td><u>Pin</u></td> </tr> <tr> <td>+V</td> <td>5</td> </tr> <tr> <td>- V</td> <td>7</td> </tr> <tr> <td>Port 1</td> <td>1</td> </tr> <tr> <td>Port 2</td> <td>2</td> </tr> <tr> <td>Port 3</td> <td>3</td> </tr> <tr> <td>Port 4</td> <td>4</td> </tr> </table>	<u>Function</u>	<u>Pin</u>	+V	5	- V	7	Port 1	1	Port 2	2	Port 3	3	Port 4	4	VB 403M-FS 8	VB 403M-PX5-FS 8
<u>Function</u>	<u>Pin</u>																	
+V	5																	
- V	7																	
Port 1	1																	
Port 2	2																	
Port 3	3																	
Port 4	4																	

Functional Wiring Diagrams

No LED Version



LED Version

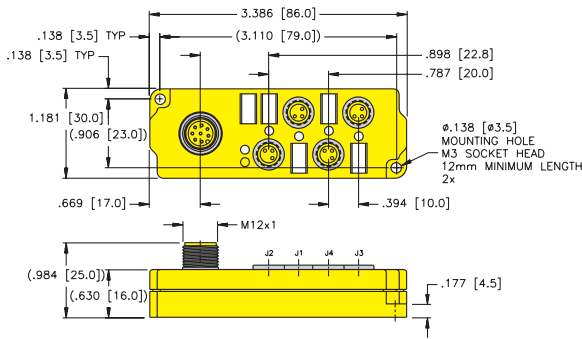


Specifications

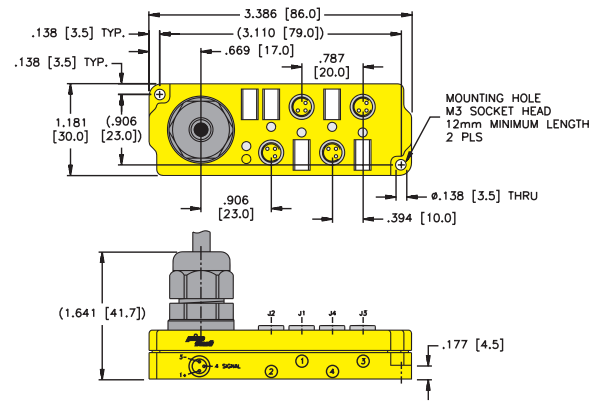
Housing:	Nylon.
Connectors:	PUR (<i>picofast</i> ®); nylon or PUR (<i>eurofast</i> ®); PETP (M16).
Contacts:	Gold plated brass.
Thread Inserts:	Nickel plated brass.
Cable:	See table.
LED Current:	10 mA maximum at 48 VDC supply voltage (per LED).
Temperature:	-30°C to +80°C (-22°F to +176°F).
Protection Class:	IEC IP 67.
Accessories:	KS 5/10 labels, 2 pieces PSG-CC (snap lock) or PSGM-CC (threaded) included.
Cable length:	Standard length for junction boxes and M16 quick disconnect cordsets is nominal 5 meters. Other lengths available by request - Consult factory.

Dimensions

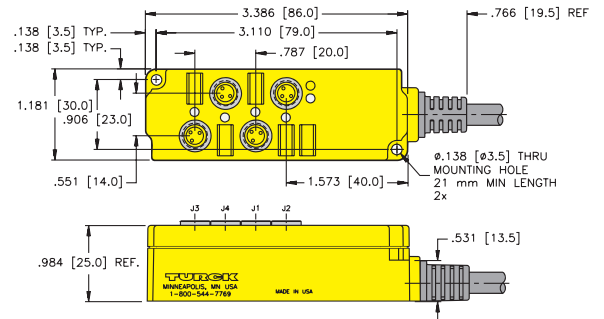
4-Port with *eurofast* Home Run Connector



4-Port with Integral Home Run Cable



4-Port with Side Integral Home Run Cable



Pinout

Female	Male
3-pin <i>picofast</i>	8-pin <i>eurofast</i>



multibox® picofast® Junction Boxes, 8-port, 3-Pin

- Snap Lock or Threaded Connectors
- Available with or without LEDs
- Quick Disconnect or Integral Home Run Cable

8-port, Snap Lock, 10-48 VDC

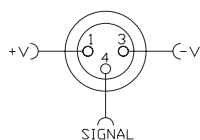
Application	Specifications	Pinout				No LEDs	PNP LED
8-port j-box Snap lock connectors Top Integral cable	3 A/port, 3 A total Black PVC cable 10/24 AWG	<u>Function</u> +V - V Port 1 Port 2 Port 3	<u>Color</u> BN BU WH GN YE	<u>Function</u> Port 4 Port 5 Port 6 Port 7 Port 8	<u>Color</u> GY PK RD BK VT	VB 803Z-*	VB 803Z-PX9-*
8-port j-box 1 signal per port Snap lock connectors Side Integral cable	3 A/port, 4 A total Black PVC cable 10/24 AWG					VB 803Z-*C	VB 803Z-PX9*C
8-port J-box, Snap lock connectors M16 connector	3 A/port, 3 A total 14 pin M16 connector 10 conductors mates with BKM 14-836-*	<u>Function</u> +V - V Port 1 Port 2 Port 3	<u>Pin/Color</u> M/BN U/BU P/WH E/GN O/YE	<u>Function</u> Port 4 Port 5 Port 6 Port 7 Port 8	<u>Pin/Color</u> C/GY N/PK R/RD G/BK S/VT	VB 803Z-BS14	VB 803Z-PX9-BS14

8-port, Threaded, 10-48 VDC

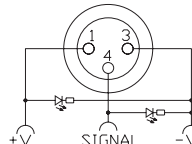
Application	Specifications	Pinout				No LEDs	PNP LED
8-port j-box Threaded connectors Top Integral cable	3 A/port, 3 A total Black PVC cable 10/24 AWG	<u>Function</u> +V - V Port 1 Port 2 Port 3	<u>Color</u> BN BU WH GN YE	<u>Function</u> Port 4 Port 5 Port 6 Port 7 Port 8	<u>Color</u> GY PK RD BK VT	VB 803M-*	VB 803M-PX9-*
8-port J-box 1 signal per port Threaded connectors Side Integral cable	3 A/port, 4 A total Black PVC cable 10/24 AWG					VB 803M-*C	VB 803M-PX9-*C
8-port J-box, Threaded connectors M16 connector	3 A/port, 3 A total 14 pin M16 connector 10 conductors mates with BKM 14-836-*	<u>Function</u> +V - V Port 1 Port 2 Port 3	<u>Pin/Color</u> M/BN U/BU P/WH E/GN O/YE	<u>Function</u> Port 4 Port 5 Port 6 Port 7 Port 8	<u>Pin/Color</u> C/GY N/PK R/RD G/BK S/VT	VB 803M-BS14	VB 803M-PX9-BS14

Functional Wiring Diagrams

No LED Version



LED Version

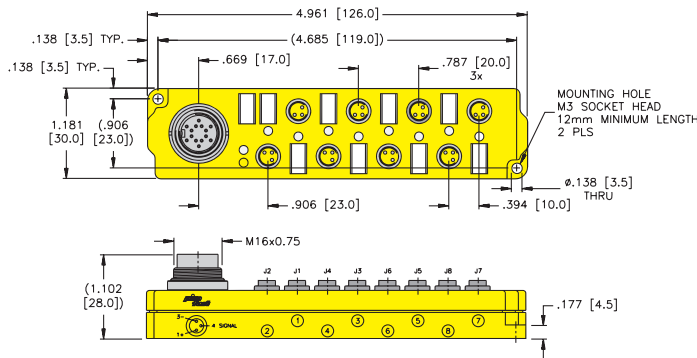


Specifications

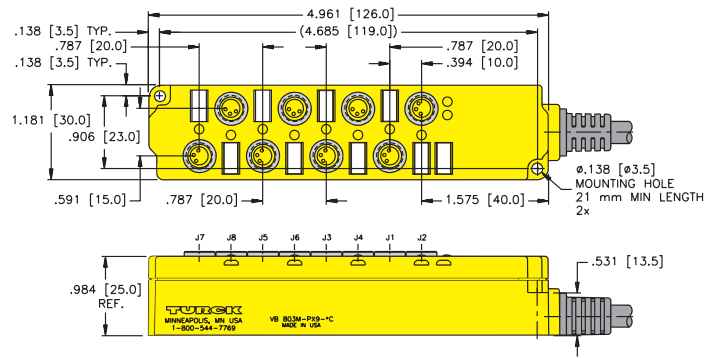
- Housing:** Nylon.
- Connectors:** PUR (*picofast*[®]); nylon or PUR (*eurofast*[®]); PETP (M16).
- Contacts:** Gold plated brass.
- Thread Inserts:** Nickel plated brass.
- Cable:** See table.
- LED Current:** 10 mA maximum at 48 VDC supply voltage (per LED).
- Temperature:** -30°C to +80°C (-22°F to +176°F).
- Protection Class:** IEC IP 67.
- Accessories:** KS 5/10 labels, 2 pieces PSG-CC (snap lock) or PSGM-CC (threaded) included.
- Cable Length:** Standard length for junction boxes and M16 quick disconnect cordsets is nominal 5 meters. Other lengths available by request. Consult factory.

Dimensions

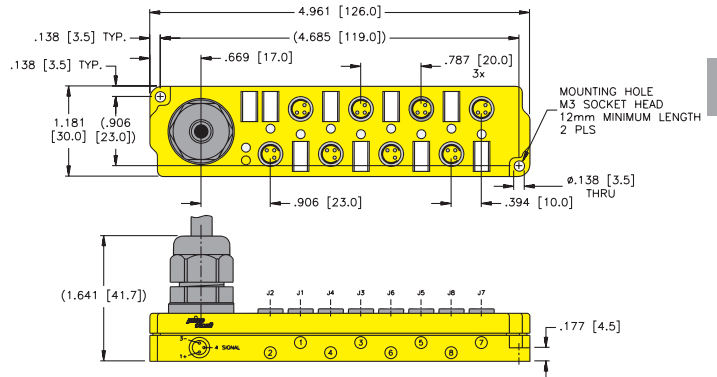
8-Port with *eurofast* Home Run Connector



8-Port with Side Integral Home Run Cable



8-Port with Top Integral Home Run Cable



Pinout

Female	Male
3-pin <i>picofast</i>	14-pin <i>versafast</i>[®]

Multibox, *picofast*



multibox® picofast® Junction Boxes, 4-port, 4-pin

- Dual Output per Port
- Snap Lock or Threaded Connectors
- Quick Disconnect or Integral Home Run Cable

4-port, 4-pin, Snap Lock, 10-48 VDC

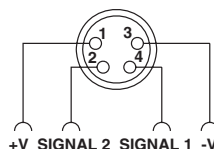
Application	Specifications	Pinout				No LEDs
4-port J-box 2 signals per port Snap lock connectors Top integral cable	3 A/port, 4 A total Black PVC cable 10/24 AWG foil shield and 26 AWG drain	<u>Function</u>	<u>Color</u>	<u>Function</u>	<u>Color</u>	VB 404Z-*
4-port J-box 2 signals per port Snap lock connectors Side integral cable		+V	BN	Port 3/2	GN	VB 404Z-*C
		- V	BU	Port 3/4	WH	
		Port 1/2	RD	Port 4/2	BK	
		Port 1/4	PK	Port 4/4	VT	
		Port 2/2	YE			
		Port 2/4	GY			
4-port J-box 2 signals per port Snap lock connectors M16 connector	2 A/port, 3 A total w/1 power pair 6 A total w/dual power 14-pin M16 connector 10/12 conductors Mates with BKM 14-917-*	<u>Function</u>	<u>Pin/Color</u>	<u>Function</u>	<u>Pin/Color</u>	VB 404Z-BS14
		+V	A/RD/BU	Port 2/2	O/YE	
		- V	L/GY/PK	Port 2/4	C/GY	
		+V	M/BN	Port 3/2	E/GN	
		- V	U/BU	Port 3/4	P/WH	
		Port 1/2	R/RD	Port 4/2	G/BK	
		Port 1/4	N/PK	Port 4/4	S/VT	

4-port, 4-pin, Threaded, 10-48 VDC

Application	Specifications	Pinout				No LEDs
4-port J-box 2 signals per port Threaded connectors Top integral cable	3 A/port, 4 A total Black PVC cable 10/24 AWG foil shield and 26 AWG drain	<u>Function</u>	<u>Color</u>	<u>Function</u>	<u>Color</u>	VB 404M-*
4-port J-box 2 signals per port Threaded connectors Side integral cable		+V	BN	Port 2/4	GY	VB 404M-*C
		- V	BU	Port 3/2	GN	
		Port 1/2	RD	Port 3/2	WH	
		Port 1/4	PK	Port 4/2	BK	
		Port 2/2	YE	Port 4/4	VT	
4-port J-box 2 signals per port Threaded connectors M16 connector	2 A/port 3 A total w/1 power pair 6 A total w/dual power 14-pin M16 connector 10/12 conductors Mates with BKM 14-917-*	<u>Function</u>	<u>Pin/Color</u>	<u>Function</u>	<u>Pin/Color</u>	VB 404M-BS14
		+V	A/RD/BU	Port 2/2	O/YE	
		- V	L/GY/PK	Port 2/4	C/GY	
		+V	M/BN	Port 3/2	E/GN	
		- V	U/BU	Port 3/4	P/WH	
		Port 1/4	R/RD	Port 4/2	G/BK	
		Port 1/2	N/PK	Port 4/4	S/VT	

* Cable length in meters.

Functional Wiring Diagrams

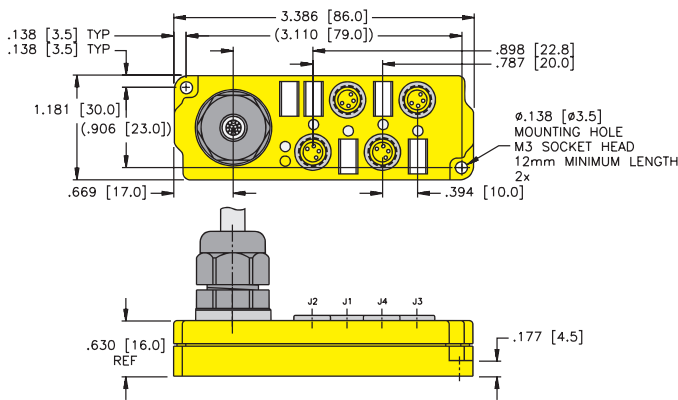


Specifications

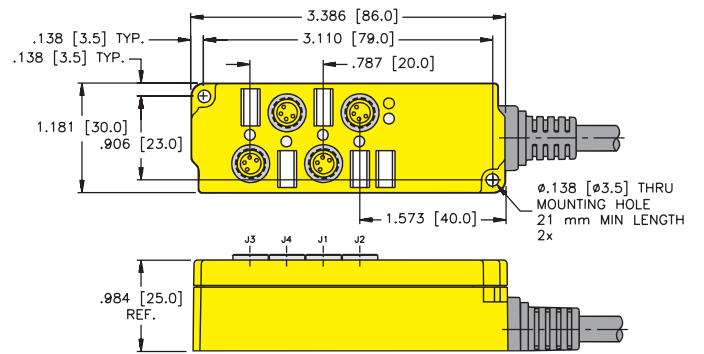
- Housing:** Nylon.
- Connectors:** PUR (J1-J4), Nylon P1.
- Contacts:** Gold plated brass.
- Thread Inserts:** Nickel plated brass.
- Cable:** See table.
- LED Current:** 10 mA maximum at 48 VDC supply voltage (per LED).
- Temperature:** -30°C to +80°C (-22°F to +176°F)
- Protection:** IEC IP 67.
- Accessories:** KS 5/10 labels, 2 pieces PSG-CC (snap lock) or PSGM-CC (threaded) included.
- Cable Length:** Standard length is nominal 5 meters.
- Recommended Splitter:** YP2-MFS 4/2MFK 3, for threaded version only.

Dimensions

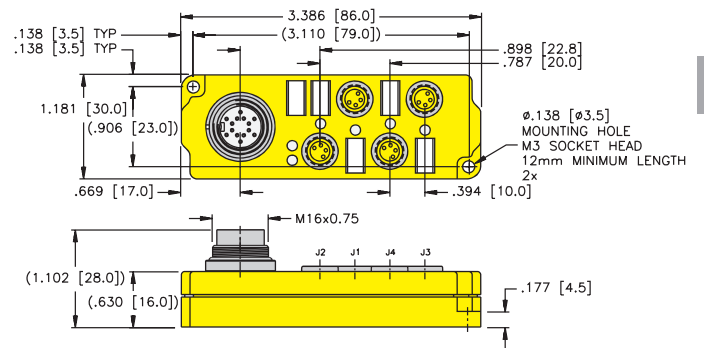
4-Port with Top Integral Home Run Cable



4-Port with Side Integral Home Run Cable



4-Port with versafast Home Run Connector



Pinout

Female	Male
4-pin <i>picofast</i>	14-pin <i>versafast</i>

Multibox, picofast



multibox® picofast® Junction Boxes, 8-port, 4-pin

- Dual Output per Port
- Snap Lock or Threaded Connectors
- Quick Disconnect or Integral Home Run Cable

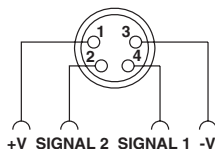
4-port, 4-pin, Snap Lock, 10-48 VDC

Application	Specifications	Pinout				Part Number
8-port J-box 2 signals per port Snap lock connectors Top integral cable	3 A/port, 4 A total Black PVC cable 10/24 AWG	<u>Function</u>	<u>Color</u>	<u>Function</u>	<u>Color</u>	VB 804Z-*
8-port J-box 2 signals per port Snap lock connectors Side integral cable		- V	BU	Port 4/4	WH	
		+V	BN	Port 5/2	PK	VB 804Z-*C
		Port 1/2	RD	Port 5/4	GY	
		Port 1/4	OG	Port 6/2	YE / BN	
		Port 2/2	VT	Port 6/4	YE	
		Port 2/4	RD / Bl	Port 7/2	GY / PK	
		Port 3/2	GY / BN	Port 7/4	WH / GN	
		Port 3/4	Tn	Port 8/2	WH / YE	
		Port 4/2	BK	Port 8/4	GN	
8-port J-box 2 signals per port Snap lock connectors M16 connector	3 A/port, 4 A total 19-pin M16 connector 18 conductor Mates with BKM 19-995-*	<u>Function</u>	<u>Pin/Color</u>	<u>Function</u>	<u>Pin/Color</u>	VB 804Z-BS19
		+V	L/BN	Port 4/4	P/WH	
		- V	A/BU	Port 5/2	G/PK	
		Port 1/2	R/RD	Port 5/4	S/GY	
		Port 1/4	M/OG	Port 6/2	K/YE/BN	
		Port 2/2	O/VT	Port 6/4	T/YE	
		Port 2/4	C/RD/BU	Port 7/2	B/GY/PK	
		Port 3/2	N/GY/BN	Port 7/4	D/WH/GN	
		Port 3/4	U/TN	Port 8/2	H/WH/YE	
		Port 4/2	E/BK	Port 8/4	I/GN	

8-port, 4-pin, Threaded, 10-48 VDC

Application	Specifications	Pinout				Part Number
8-port J-box 2 signals per port Threaded connectors Top integral cable	3 A/port, 4 A total Black PVC cable 10/24 AWG	<u>Function</u>	<u>Color</u>	<u>Function</u>	<u>Color</u>	VB 804M-*
8-port J-box 2 signals per port Threaded connectors Side integral cable		- V	BU	Port 4/4	WH	
		+V	BN	Port 5/2	PK	VB 804M-*C
		Port 1/2	RD	Port 5/4	GY	
		Port 1/4	OG	Port 6/2	YE / BN	
		Port 2/2	VT	Port 6/4	YE	
		Port 2/4	RD / Bl	Port 7/2	GY / PK	
		Port 3/2	GY / BN	Port 7/4	WH / GN	
		Port 3/4	Tn	Port 8/2	WH / YE	
		Port 4/2	BK	Port 8/4	GN	
8-port J-box 2 signals per port Threaded connectors M16 connector	3 A/port, 4 A total 19-pin M16 connector 18 conductor Mates with BKM 19-995-*	<u>Function</u>	<u>Pin/Color</u>	<u>Function</u>	<u>Pin/Color</u>	VB 804M-BS19
		+V	L/BN	Port 4/4	P/WH	
		- V	A/BU	Port 5/2	G/PK	
		Port 1/2	R/RD	Port 5/4	S/GY	
		Port 1/4	M/OG	Port 6/2	K/YE/BN	
		Port 2/2	O/VT	Port 6/4	T/YE	
		Port 2/4	C/RD/BU	Port 7/2	B/GY/PK	
		Port 3/2	N/GY/BN	Port 7/4	D/WH/GN	
		Port 3/4	U/TN	Port 8/2	H/WH/YE	
		Port 4/2	E/BK	Port 8/4	I/GN	

Functional Wiring Diagrams

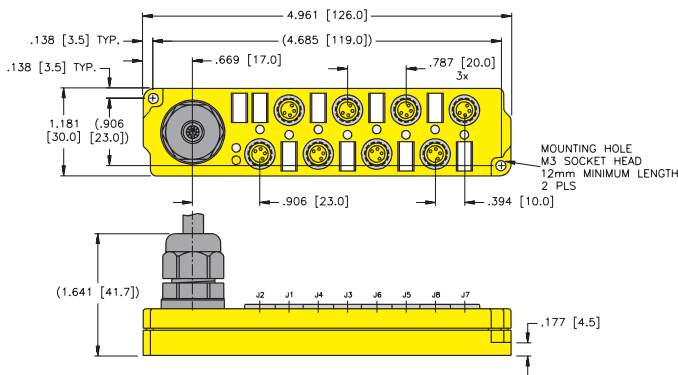


Specifications

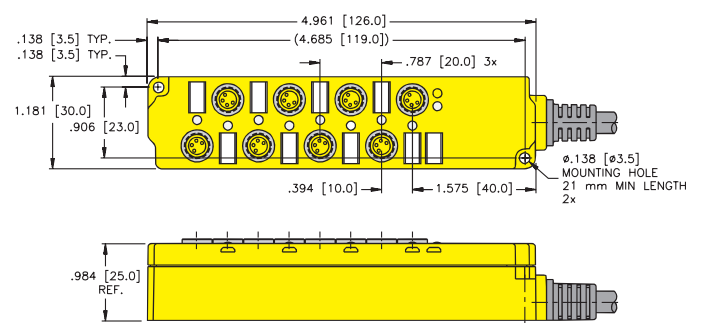
- Housing:** Nylon/yellow.
- Connectors:** Nylon/yellow.
- Contacts:** Gold plated brass.
- Thread Inserts:** Nickel plated brass.
- Cable:** See table.
- Temperature:** -30°C to +80°C (-22°F to +176°F)
- Protection:** IEC IP 67.
- Accessories:** KS 5/10 labels, 2 pieces PSG-CC (snap lock) or PSGM-CC (threaded) included.
- Cable Length:** Standard length is nominal 5 meters.
- Recommended Splitter:** YP2-MFS 4/2 MFK3, for threaded version only.

Dimensions

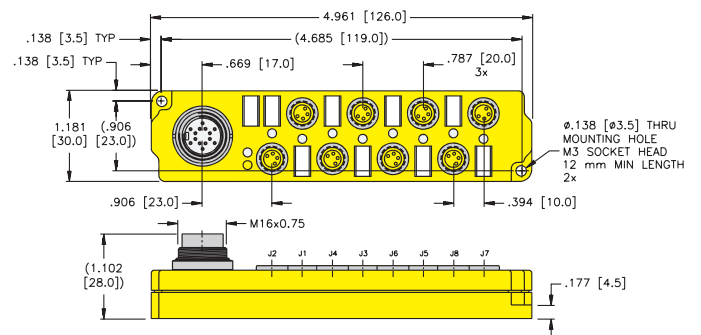
4-Port with Top Integral Home Run Cable



4-Port with Side Integral Home Run Cable



4-Port with versafast Home Run Connector



Pinout

Female	Male
4-pin picofast	19-pin versafast

Multibox, picofast



multibox® picofast® Junction Boxes, 10-port

- 10 Inputs/Outputs
- Quick Disconnect or Integral Home Run Cable
- For Use with 3-pin Snap Lock *picofast* Cordsets
- Available with or without LEDs

10-port, J-box, Snap Lock, 48 VDC

Application	Specifications	Pinout		No LEDs	PNP LED
10-port J-box Standard wiring Integral cable	3 A/port, 3.0 A total Black PVC cable 12/24 AWG Foil shield and 26 AWG drain	<u>Function</u>	<u>Color</u>	<u>Function</u>	<u>Color</u>
		+V	BN	Port 5	Tn
		- V	BU	Port 6	WH
		Port 1	RD	Port 7	GN
		Port 2	BK	Port 8	YE
		Port 3	VT	Port 9	GY
Port 4	OG	Port 10	PK		
				VB 1003-*	VB 1003-PX10-*



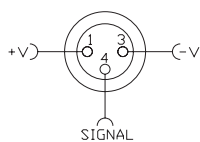
10-port, J-box, Snap Lock, 48 VDC

Application	Specifications	Pinout		No LEDs	PNP LED
10-port J-box Standard wiring M16 connector	3 A/port, 3.0 A total 14 pin connector M16 threads Mates with BKM 14-755- or BKWM 14-755-*	<u>Function</u>	<u>Pin/Color</u>	<u>Function</u>	<u>Pin/Color</u>
		+V	M/BN	Port 5	N/TN
		- V	U/BU	Port 6	R/WH
		Port 1	P/RD	Port 7	G/GN
		Port 2	E/BK	Port 8	S/YE
		Port 3	O/VT	Port 9	J/GY
Port 4	C/OG	Port 10	T/PK		
				VB 1003-BS14	VB 1003-PX10-BS14

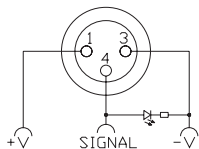
* Length in meters

Functional Wiring Diagrams

No LED Version



PNP LED Version



Pinouts

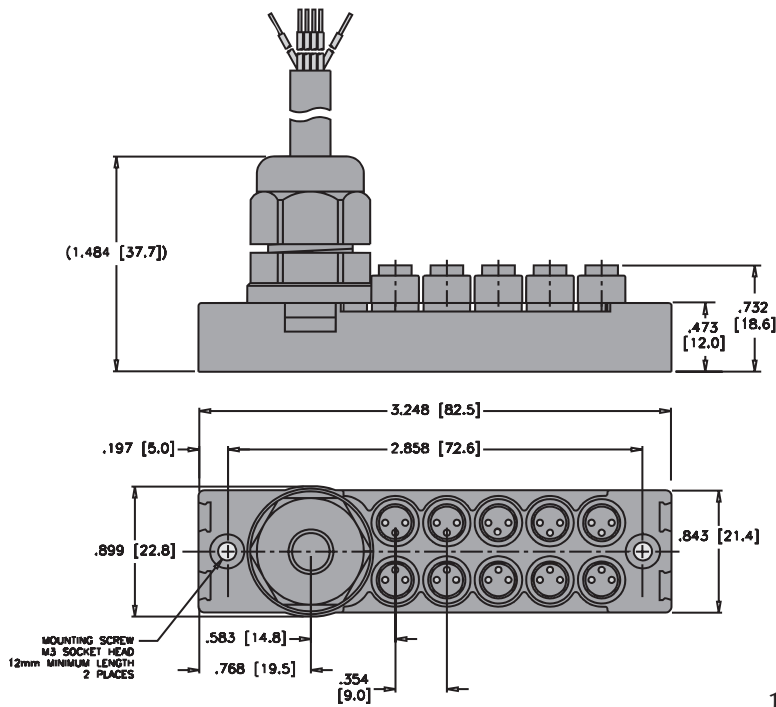
Female	Male
3-pin <i>picofast</i>	14-pin <i>multifast</i>

Specifications

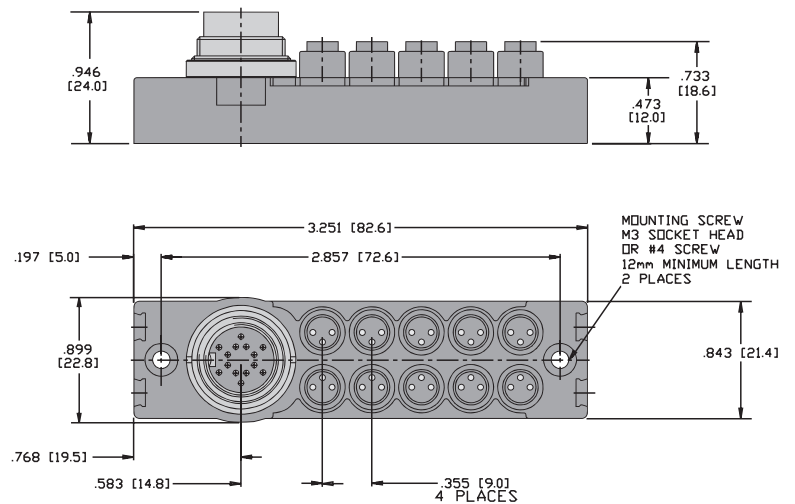
Housing:	Nylon.
Connectors:	PUR.
Contacts:	Gold plated brass.
LED Current:	10 mA maximum at 48 VDC supply voltage (per LED).
Temperature:	-30°C to +80°C (-22°F to +176°F).
Protection Class:	IEC IP 67.
Accessories:	Closure cap, PSG-CC (optional - 2 included).
Cable Length:	Standard length for junction boxes and M16 cordsets is nominal 5 meters. Other lengths available by request - Consult factory.

Dimensions

10-Port with Integral Home Run Cable



10-Port with M16 Home Run Connector





multibox® pentafast® Junction Boxes, 4-port

- Single Output per port
- Threaded Connections
- Available with LEDs
- Quick Disconnect or Integral Home run cable

4-Port, 3-pin, Threaded, 10-30 VDC

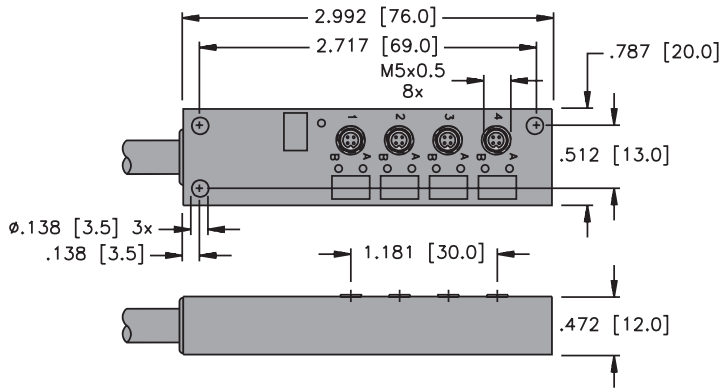
Application	Specifications	Pinout				PNP LED
4-Port j-box, 1 signal per port, threaded connectors, integral cable	1 A/port, 3 A total, Black PUR cable 2X24 AWG PWR Pair, 4X26 Signal	<u>Function</u> +V -V Port 1	<u>Color</u> BN BU WH	<u>Function</u> Port 2 Port 3 Port 4	<u>Color</u> GN YE GY	VBV 403M-PX5-*M/S90
4-Port j-box, 1 signal per port, threaded connectors, eurofast® connector	1 A/port, 3 A total, 12-pin eurofast® M12 connector, 12 conductors, Mates with RKC- 12T	<u>Function</u> +V -V Port 1/4	<u>Pin</u> 2 7 1	<u>Function</u> Port 2/4 Port 3/4 Port 4/4	<u>Pin</u> 3 4 5	VBV 403M-PX5-FS 12

Specifications

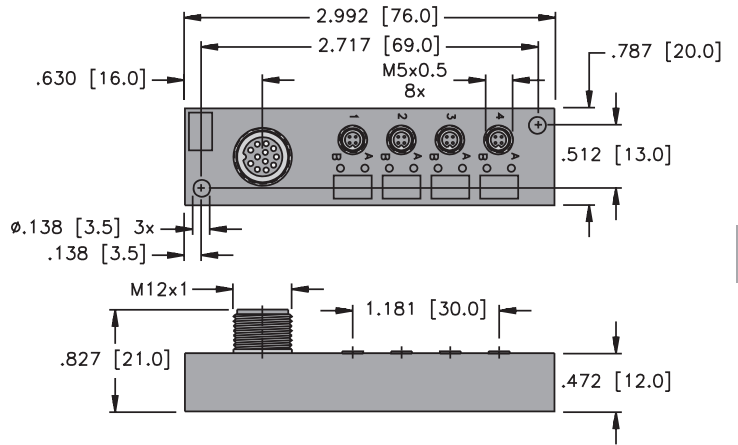
Housing:	Nylon
Connectors:	PUR (J1-J4), Nylon P1
Contacts:	Gold plated brass
Threaded Inserts:	Nickel plated brass
Cable:	See table
Temperature:	-30°C to +80°C (-22°F to 176°F)
Protection Class:	IP67
Cable Length:	Standard length for junction boxes and multifast series quick disconnect cordsets in nominal 5 meters. Other lengths available by request - consult factory

Dimensions

VBV 403M-PX5-*M/S90



VBV 403M-PX5-FS 12



Multibox, pentafast

Pinout

Female	Male
3-pin pentafast	12-pin eurofast



multibox® pentafast® Junction Boxes, 8-port

- Single Output per port
- Threaded Connections
- Available with LEDs
- Quick Disconnect or Integral Home run cable

8-Port, 3-pin, Threaded, 10-30 VDC

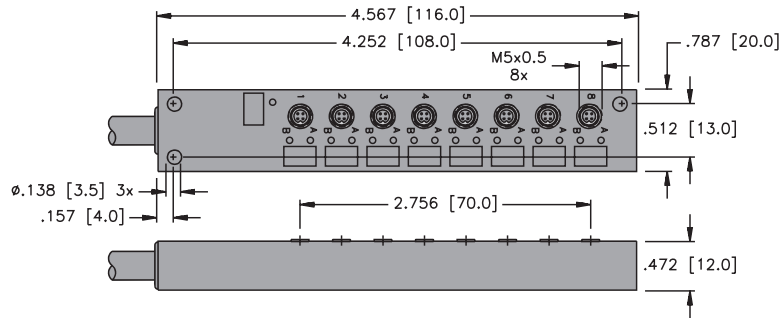
Application	Specifications	Pinout				PNP LED
8-Port j-box, 1 signal per port, threaded connectors, integral cable	1 A/port, 3 A total, Black PUR cable 2X24 AWG Pwr Pair, 8X26 Signal	<u>Function</u> +V -V Port 1 Port 2 Port 3	<u>Color</u> BN BU WH GN YE	<u>Function</u> Port 4 Port 5 Port 6 Port 7 Port 8	<u>Color</u> GY PK RD BK VT	VBV 803-PX9-*M/S90
8-Port j-box, 1 signal per port, threaded connectors, eurofast® connector	3 A/port, 3 A total, 12-pin eurofast® M12 connector, 12 conductors, Mates with RKC- 12T-*	<u>Function</u> +V -V Port 1 Port 2 Port 3	<u>Pin</u> 2 7 1 3 4	<u>Function</u> Port 4 Port 5 Port 6 Port 7 Port 8	<u>Pin</u> 5 6 8 11 12	VBV 803Z-PX9-FS 12

Specifications

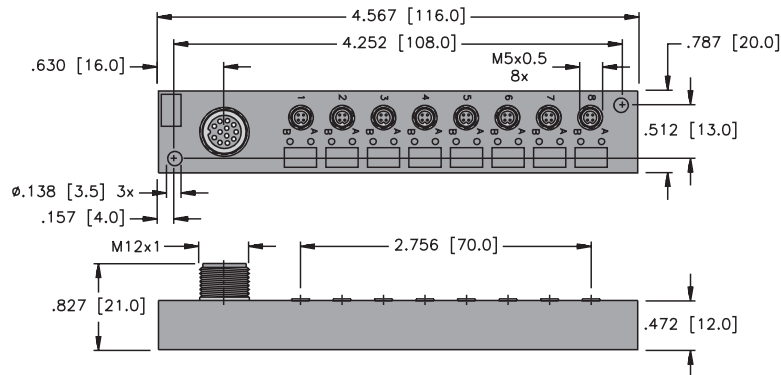
Housing:	Nylon/yellow
Connectors:	Nylon/yellow
Contacts:	Gold plated brass
Threaded Inserts:	Nickel plated brass
Cable:	See table
Temperature:	-30 C to +80 C (-22 F to 176 F)
Protection Class:	IP67
Cable Length:	Standard length for junction boxes and multifast series quick disconnect cordsets in nominal 5 meters. Other lengths available by request - consult factory

Dimensions

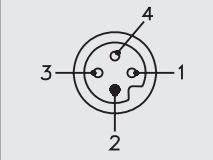
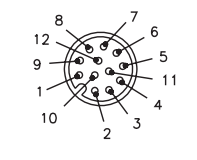
VBV 803-PX9-*M/S90



VBV 803Z-PX9-FS 12



Pinout

Female	Male
	
3-pin pentafast	12-pin eurofast



multibox® minifast® Junction Boxes, 3-Pin

- 4, 6 and 8 Ports
- Simplifies Wiring Installations
- Quick Disconnect or Integral Home Run Cable

4-port, 250 VAC/300 VDC

Application	Specifications	Pinout				Part Number
4-port J-box Standard wiring Integral cable	4 A/port, 9 A total PVC cable, black, 6/18 AWG, foil shield and 20 AWG drain CSA Certified	<u>Function</u> Common (L1) Ground J1 Load (L2)	<u>Color</u> WH GN RD	<u>Function</u> J2 Load (L2) J3 Load (L2) J4 Load (L2)	<u>Color</u> OG BK BU	4 RKF 30-*M
4-port J-box Standard wiring <i>multifast</i> connector	4 A/port, 7 A total 12-pin <i>multifast</i> connector, 6 conductors, mates with CKRM 12-6-* CSA Certified	<u>Function</u> Common (L1) Ground J1 Load (L2)	<u>Pin / Color</u> 5 / WH 7 / GN 6 / RD	<u>Function</u> J2 Load (L2) J3 Load (L2) J4 Load (L2)	<u>Pin / Color</u> 1 / OG 4 / BK 2 / BU	4 RKF 30-CS12
4-port j-box Standard wiring <i>minifast</i> connector	4 A/port, 9 A total 6-pin <i>minifast</i> connector, 6 conductors, mates with RKM 61-*M CSA Certified	<u>Function</u> Common (L1) Ground J1 Load (L2)	<u>Pin / Color</u> 1 / WH 3 / GN 2 / RD	<u>Function</u> J2 Load (L2) J3 Load (L2) J4 Load (L2)	<u>Pin / Color</u> 4 / OG 5 / BK 6 / BU	4 RKF 30-B1161

6-port, 250 VAC/300 VDC

Application	Specifications	Pinout				Part Number
6-port J-box Standard wiring Integral cable	4 A/port, 9 A total PVC cable, black, 8/18 AWG, foil shield and 20 AWG drain CSA Certified	<u>Function</u> Common (L1) Ground J1 Load (L2) J2 Load (L2)	<u>Color</u> WH GN RD OG	<u>Function</u> J3 Load (L2) J4 Load (L2) J5 Load (L2) J6 Load (L2)	<u>Color</u> BK BU YE BN	6 RKF 30-*M
6-port J-box Standard wiring <i>multifast</i> connector	4 A/port, 7 A total 12-pin <i>multifast</i> connector, 8 conductors, mates with CKRM 12-8-* CSA Certified	<u>Function</u> Common (L1) Ground J1 Load (L2) J2 Load (L2)	<u>Pin / Color</u> 5 / WH 7 / GN 6 / RD 1 / OG	<u>Function</u> J3 Load (L2) J4 Load (L2) J5 Load (L2) J6 Load (L2)	<u>Pin / Color</u> 4 / BK 2 / BU 3 / YE 8 / BN	6 RKF 30-CS12

8-port, 250 VAC/300 VDC

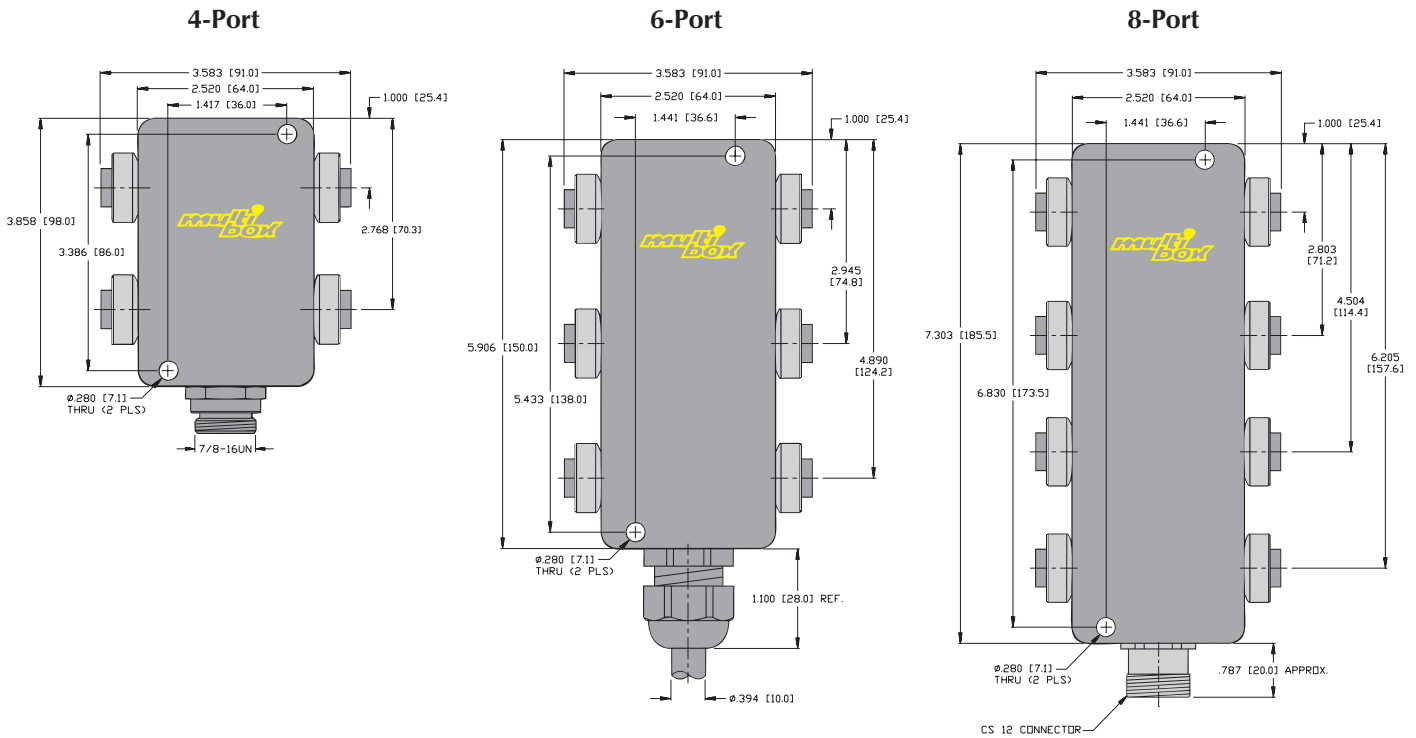
Application	Specifications	Pinout				Part Number
8-port J-box Standard wiring Integral cable	4 A/port, 9 A total PVC cable, black, 10/18 AWG, foil shield and 20 AWG drain CSA Certified	<u>Function</u> Common (L1) Ground J1 Load (L2) J2 Load (L2) J3 Load (L2)	<u>Color</u> WH GN RD VT BK	<u>Function</u> J4 Load (L2) J5 Load (L2) J6 Load (L2) J7 Load (L2) J8 Load (L2)	<u>Color</u> BU GY YE OG BN	8 RKF 30-*M
8-port J-box, Standard wiring <i>multifast</i> connector	4 A/port, 7 A total 12-pin <i>multifast</i> connector, 10 conductors, mates with CKRM 12-10-* CSA Certified	<u>Function</u> Common (L1) Ground J1 Load (L2) J2 Load (L2) J3 Load (L2)	<u>Pin / Color</u> 5 / WH 7 / GN 6 / RD 1 / VT 4 / BK	<u>Function</u> J4 Load (L2) J5 Load (L2) J6 Load (L2) J7 Load (L2) J8 Load (L2)	<u>Pin / Color</u> 2 / BU 3 / GY 8 / YE 9 / OG 10 / BN	8 RKF 30-CS12

* Length in meters

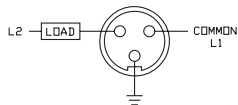
Specifications

Housing:	Die cast aluminum alloy.
Connector:	Nickel plated brass, oil resistant PUR contact carrier.
Contacts:	Gold plated brass.
Cable:	See table for specifications.
Temperature:	-30°C to +80°C (-22°F to +176°F).
Protection:	NEMA 1, 3, 4, 6P and IEC IP 67.
Cable Length:	Standard cable length is 6 meters. Other lengths available by request - consult factory.

Dimensions



Wiring Diagram



Load (L2) is individual output. Common (L1) and Ground are wired parallel internally.

Notes:

Clearance holes for 1/4-20 screws (2 places). All housings are 34.0 mm in height.

Pinout

Female	Male	Male
3-pin minifast	6-pin minifast	12-pin multifast

Multibox, minifast



multibox® minifast® Junction Boxes, 3-pin

- 6 and 8 Ports
- Quick Disconnect *minifast* Connector
- Simplifies Wiring Installations

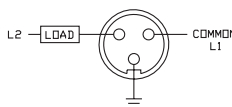
6-port, 250 VAC / 300 VDC

Application	Specifications	Pinout				Part Number
6-port J-box Standard wiring, <i>minifast</i> connector	4 A/port	<u>Function</u>	<u>Pin / Color</u>	<u>Function</u>	<u>Pin / Color</u>	6 RKF 30-RSF80
	9 A total	Common (L1)	5 / WH	J3 Load (L2)	4 / BK	
	8-pin <i>minifast</i> connector	Ground	7 / GN	J4 Load (L2)	2 / BU	
	8 conductors	J1 Load (L2)	6 / RD	J5 Load (L2)	3 / WH / BK	
	Mates with RKM 86-*M	J2 Load (L2)	1 / OG	J6 Load (L2)	8 / RD / BK	
	CSA Certified					

8-port, 250 VAC / 300 VDC

Application	Specifications	Pinout				Part Number
8-port J-box Standard wiring, <i>minifast</i> connector	4 A/port	<u>Function</u>	<u>Pin / Color</u>	<u>Function</u>	<u>Pin / Color</u>	8 RKF 30-RSF100
	9 A total	Common (L1)	10 / Wt	J4 Load (L2)	2 / BU	
	10-pin <i>minifast</i> connector	Ground	8 / GN	J5 Load (L2)	3 / WH / BK	
	10 conductors	J1 Load (L2)	7 / RD	J6 Load (L2)	4 / RD / BK	
	Mates with RKM 106-*M	J2 Load (L2)	1 / OG	J7 Load (L2)	5 / GN / BK	
	CSA NRTL® Certified	J3 Load (L2)	9 / BK	J8 Load (L2)	6 / OG / BK	

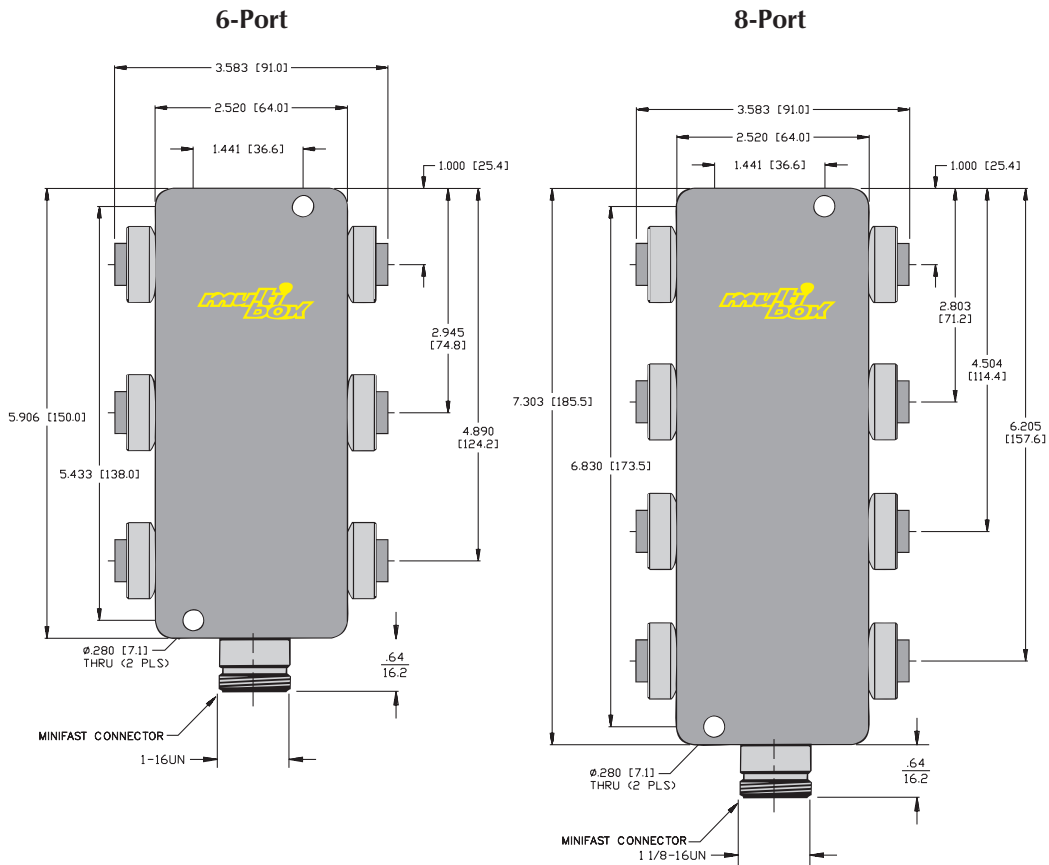
Functional Wiring Diagram



Specifications

Housing: Die cast aluminum alloy.
Connectors: Nickel plated brass, oil resistant PUR contact carrier.
Contacts: Gold plated brass.
Temperature: -30°C to +80°C (-22°F to +176°F).
Protection: NEMA 1, 3, 4, 6P and IEC IP 67.

Dimensions



Multibox, minifast

Notes:
 Clearance holes for 1/4-20 screws (2 places).
 All housings are 34.0 mm in height.

Pinout

Female	Male	Male
3-pin minifast	8-pin minifast	10-pin minifast



multibox® minifast® Junction Boxes with LEDs, 3-pin

- 4 and 8 Ports
- Quick Disconnect or Integral Home Run Cable
- Simplifies Wiring Installations
- LEDs for Power and Signal

4-port, 40-120 VAC

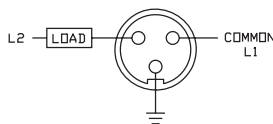
Application	Specifications	Pinout				Part Number
4 port J-box Standard wiring Integral cable	4 A/port, 9 A total PVC cable, black, 7/18 AWG, foil shield and 20 AWG drain CSA Certified	<u>Function</u> Common (L1)	<u>Color</u> WH	<u>Function</u> J2 Load (L2)	<u>Color</u> OG	4 RKF 30-X5-*M
		LED Power (L2)	WH / BK	J3 Load (L2)	BK	
		Ground	GN	J4 Load (L2)	BU	
		J1 Load (L2)	RD			
4 port J-box Standard wiring multifast connector	4 A/port, 7 A total 12-pin multifast connector, 7 conductors, mates with CKBM 12-7-* CSA Certified	<u>Function</u> Common (L1)	<u>Pin / Color</u> 3 / WH	<u>Function</u> J2 Load (L2)	<u>Pin / Color</u> 5 / OG	4 RKF 30-X5-CS12
		LED Power (L2)	1 / WH/BK	J3 Load (L2)	2 / BK	
		Ground	7 / GN	J4 Load (L2)	6 / BU	
		J1 Load (L2)	4 / RD			

8-port, 40-120 VAC

Application	Specifications	Pinout				Part Number
8 port J-box Standard wiring Integral cable	4 A/port, 9 A total PVC cable, black, 11/18 AWG, foil shield and 20 AWG drain CSA Certified	<u>Function</u> Common (L1)	<u>Color</u> WH	<u>Function</u> J4 Load (L2)	<u>Color</u> BU	8 RKF 30-X9-*M
		LED Power (L2)	BU / BK	J5 Load (L2)	WH / BK	
		Ground	GN	J6 Load (L2)	RD / BK	
		J1 Load (L2)	RD	J7 Load (L2)	GN / BK	
		J2 Load (L2)	OG	J8 Load (L2)	OG / BK	
		J3 Load (L2)	BK			
8 port J-box, Standard wiring multifast connector	4 A/port, 7 A total 12-pin multifast connector, 11 conductors, mates with CKBM 12-11-* CSA Certified	<u>Function</u> Common (L1)	<u>Pin / Color</u> 11 / WH	<u>Function</u> J4 Load (L2)	<u>Pin / Color</u> 2 / BU	8 RKF 30-X9-CS12
		LED Power (L2)	7 / BU/BK	J5 Load (L2)	3 / WH / BK	
		Ground	9 / GN	J6 Load (L2)	4 / RD / BK	
		J1 Load (L2)	10 / RD	J7 Load (L2)	5 / GN / BK	
		J2 Load (L2)	1 / OG	J8 Load (L2)	6 / OG / BK	
		J3 Load (L2)	12 / BK			

* Length in meters

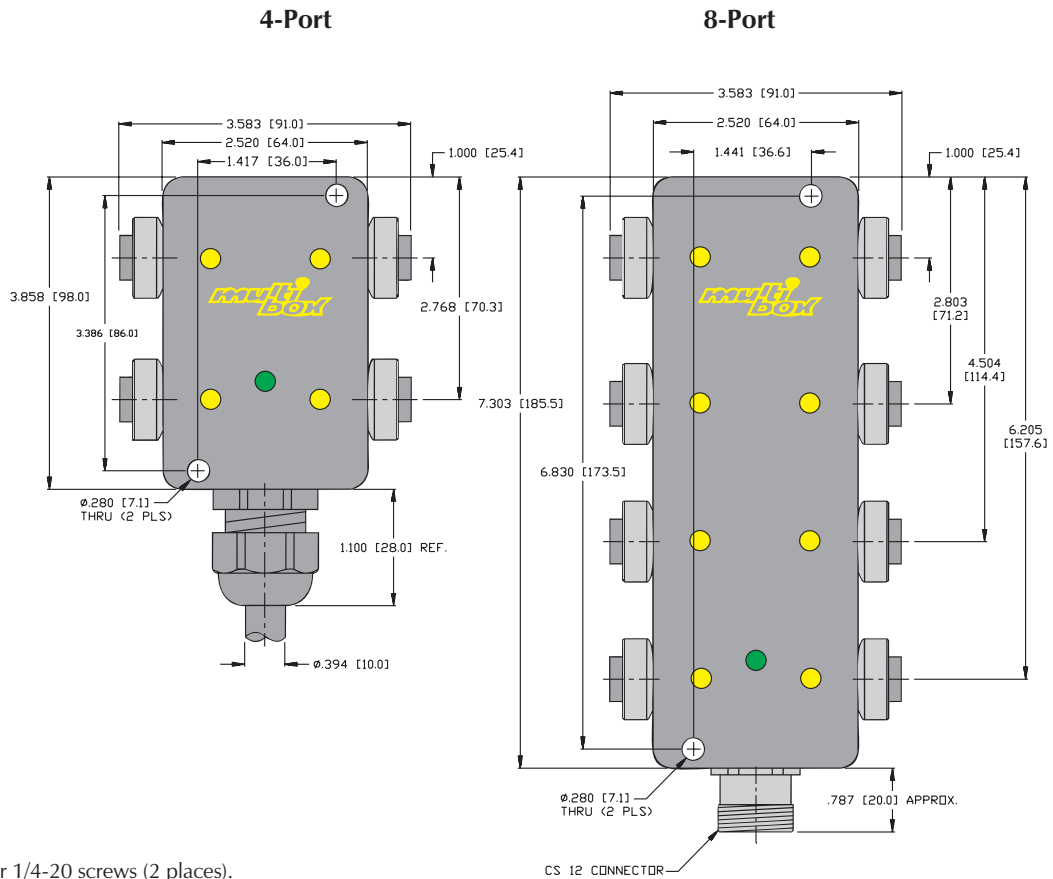
Functional Wiring Diagram



Specifications

- Housing:** Die cast aluminum alloy.
- Connector:** Nickel plated brass, oil resistant PUR contact carrier.
- Contacts:** Gold plated brass.
- Cable:** See table for specifications.
- Temperature:** -30°C to +80°C (-22°F to +176°F).
- Protection:** NEMA 1, 3, 4, 6P and IEC IP 67.
- Cable Length:** Standard cable length is 6 meters. Other lengths available by request - consult factory.

Dimensions



- Notes:**
 Clearance holes for 1/4-20 screws (2 places).
 All housings are 34.0 mm in height.
 Green LED = Power on (center position)
 Yellow LED = Signal (outer position).

Pinout

Female	Male
3-pin minifast	12-pin multifast

Multibox, minifast



multibox® minifast® Junction Boxes with LEDs, 3-pin

- 4 and 8 Ports
- LEDs for Power and Signal
- Quick Disconnect *minifast* Connector
- Simplifies Wiring Installations

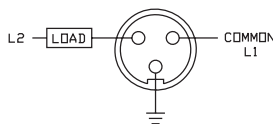
4-port, 40-120 VDC

Application	Specifications	Pinout				Part Number
4-port J-box Standard wiring, <i>minifast</i> connector	4 A/port 9 A total 7-pin <i>minifast</i> connector 7 conductors Mates with RKM 76-*M CSA NRTL® Certified	<u>Function</u> Common (L1)	<u>Pin / Color</u> 3 / Wt	<u>Function</u> J2 Load (L2)	<u>Pin / Color</u> 5 / OG	4 RKF 30-X5-RSF70
		LED Pwr (L2)	1 / WH / BK	J3 Load (L2)	2 / BK	
		Ground	7 / GN	J4 Load (L2)	6 / BU	
		J1 Load (L2)	4 / RD			

8-port, 250 VAC / 300 VDC

Application	Specifications	Pinout				Part Number
8-port J-box Standard wiring, <i>minifast</i> connector	4 A/port 9 A total 12-pin <i>minifast</i> connector 11 conductors Mates with RKM 126-*M CSA NRTL® Certified	<u>Function</u> Common (L1)	<u>Pin / Color</u> 11 / Wt	<u>Function</u> J4 Load (L2)	<u>Pin / Color</u> 2 / BU	8 RKF 30-X9-RSF120
		LED Pwr (L27)	1 / BU / BK	J5 Load (L2)	3 / WH / BK	
		Ground	9 / GN	J6 Load (L2)	4 / RD / BK	
		J1 Load (L2)	10 / RD	J7 Load (L2)	5 / GN / BK	
		J2 Load (L2)	1 / OG	J8 Load (L2)	6 / OG / BK	
		J3 Load (L2)	12 / BK			

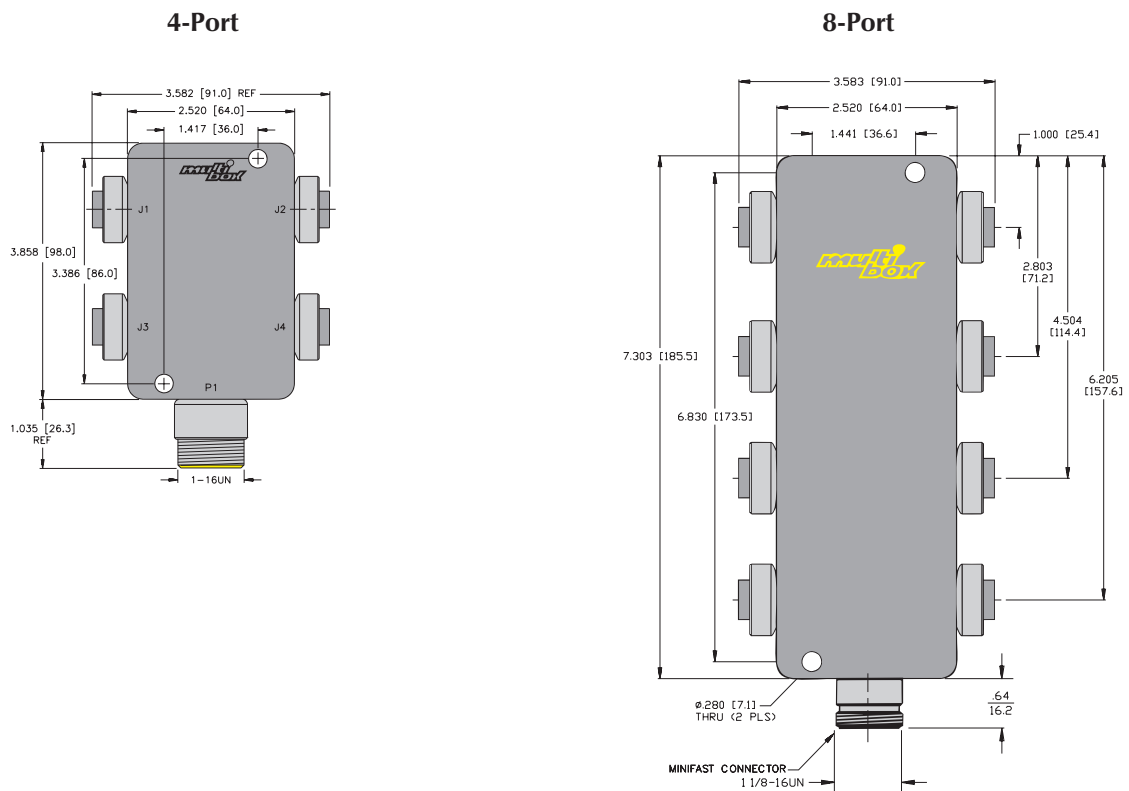
Functional Wiring Diagram



Specifications

Housing:	Die cast aluminum alloy.
Connectors:	Nickel plated brass, oil resistant PUR contact carrier.
Contacts:	Gold plated brass.
Temperature:	-30°C to +80°C (-22°F to +176°F).
Protection:	NEMA 1, 3, 4, 6P and IEC IP 67.

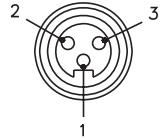
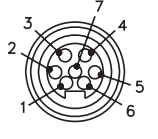
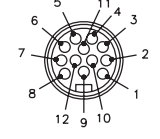
Dimensions



Multibox, minifast

Notes:
 Clearance holes for 1/4-20 screws (2 places).
 All housings are 34.0 mm in height.

Pinout

Female	Male	Male
		
3-pin minifast	7-pin minifast	12-pin minifast



multibox® minifast® Junction Boxes, 4-pin

- 4, 6 and 8 Ports
- Integral Home Run Cable
- Simplifies Wiring Installations

4-port, 250 VAC/300 VDC

Application	Specifications	Pinout				Part Number
4-port J-box, 4-pin connectors, Integral cable	4 A/port, 9 A total PVC cable, black, 6/18 AWG, foil shield and 20 AWG drain CSA Certified	<u>Function</u> Common +V Ground -V J1 Load	<u>Color</u> WH GN RD	<u>Function</u> J2 Load J3 Load J4 Load	<u>Color</u> OG BK BU	4 RKF 40-*M

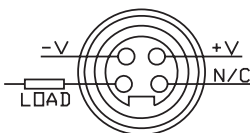
6-port, 250 VAC/300 VDC

Application	Specifications	Pinout				Part Number
6-port J-box, 4-pin connectors, Integral cable	4 A/port, 9 A total PVC cable, black, 8/18 AWG, foil shield and 20 AWG drain CSA Certified	<u>Function</u> Common +V Ground -V J1 Load J2 Load	<u>Color</u> WH GN RD OG	<u>Function</u> J3 Load J4 Load J5 Load J6 Load	<u>Color</u> BK BU YE BN	6 RKF 40-*M

8-port, 250 VAC/300 VDC

Application	Specifications	Pinout				Part Number
8-port J-box, 4-pin connectors, Integral cable	4 A/port, 9 A total PVC cable, black, 10/18 AWG, foil shield and 20 AWG drain CSA Certified	<u>Function</u> Common +V Ground -V J1 Load J2 Load J3 Load	<u>Color</u> WH GN RD VT BK	<u>Function</u> J4 Load J5 Load J6 Load J7 Load J8 Load	<u>Color</u> BU GY YE OG BN	8 RKF 40-*M

Functional Wiring Diagram

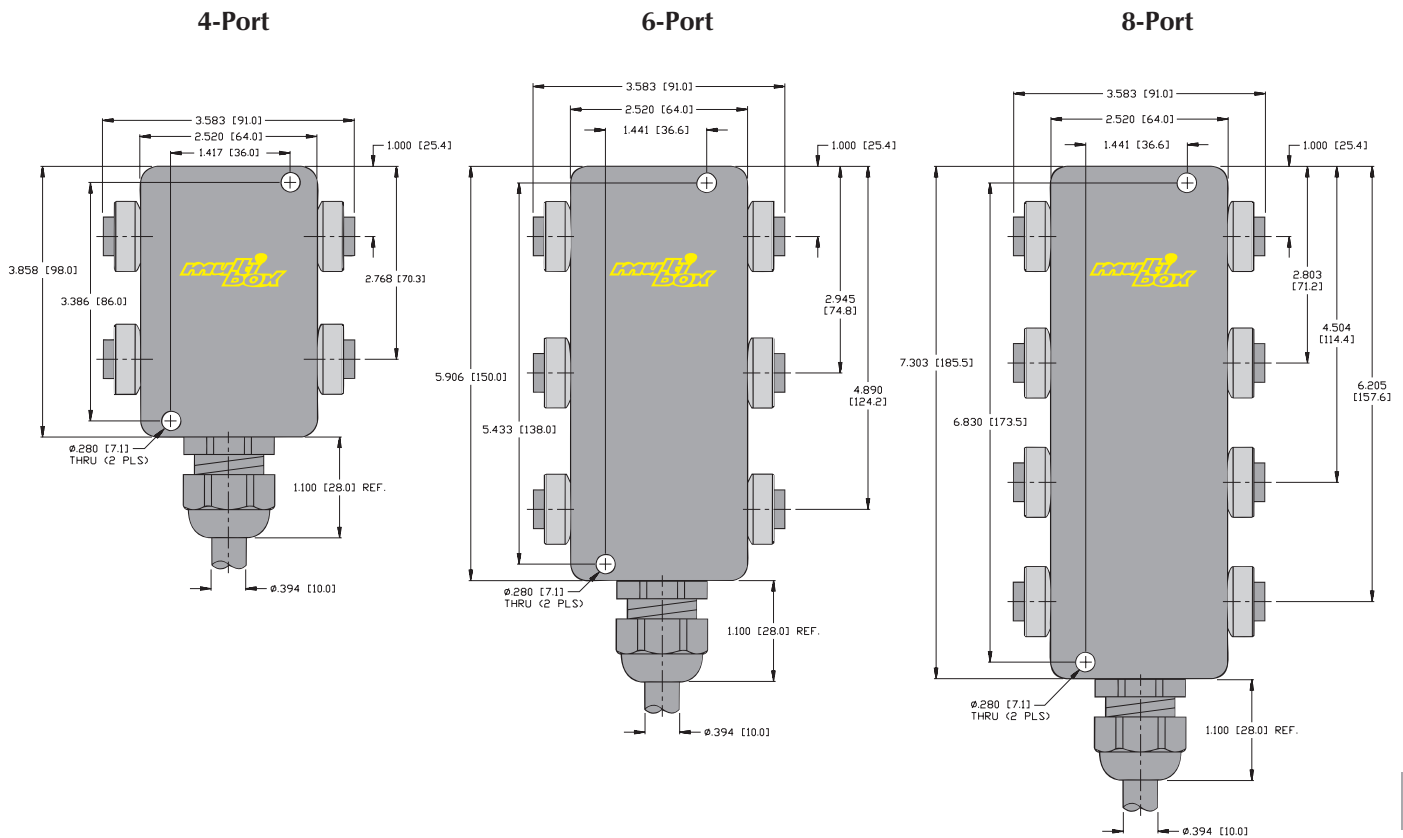


Power (pin 1 and pin 3) are wired parallel internally.
Load (pin 4) is individual output. Pin 2 is not used.

Specifications

Housing:	Die cast aluminum alloy.
Connector:	Nickel plated brass, oil resistant PUR contact carrier.
Contacts:	Gold plated brass.
Cable:	See table for specifications.
Temperature:	-30°C to +80°C (-22°F to +176°F).
Protection:	NEMA 1, 3, 4, 6P and IEC IP 67.
Cable Length:	Standard cable length is 6 meters. Other lengths available by request - consult factory.

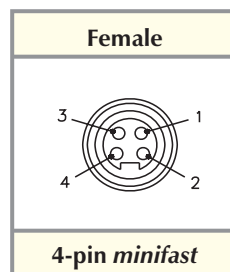
Dimensions



Multibox, minifast

Notes:
 Clearance holes for 1/4-20 screws (2 places).
 All housings are 34.0 mm in height.

Pinout





multibox® minifast® Junction Boxes, 4-pin

- 4, 6 and 8 Ports
- Quick Disconnect *minifast* Connector
- Simplifies Wiring Instructions

4-port, 250 VAC / 300 VDC

Application	Specifications	Pinout				Part Number
4-port J-box 4-pin connectors, <i>minifast</i> connector	4 A/port 9 A total 6-pin <i>minifast</i> connector 6 conductors Mates with RKM 66-*M CSA Certified	<u>Function</u> Common +V Ground -V J1 Load	<u>Pin/Color</u> 1 / WH 3 / GN 2 / RD	<u>Function</u> J2 Load J3 Load J4 Load	<u>Pin/Color</u> 4 / OG 5 / BK 6 / BU	4 RKF 40-RSF60

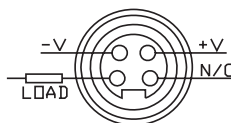
6-port, 250 VAC / 300 VDC

Application	Specifications	Pinout				Part Number
6-port J-box 4-pin connectors, <i>minifast</i> connector	4 A/port 9 A total 8-pin <i>minifast</i> connector 8 conductors Mates with RKM 86-*M CSA Certified	<u>Function</u> Common +V Ground -V J1 Load J2 Load	<u>Pin/Color</u> 5 / WH 7 / GN 6 / RD 1 / OG	<u>Function</u> J3 Load J4 Load J5 Load J6 Load	<u>Pin/Color</u> 4 / BK 2 / BU 3 / WH / BK 8 / RD / BK	6 RKF 40-RSF80

8-port, 250 VAC / 300 VDC

Application	Specifications	Pinout				Part Number
8-port J-box 4-pin connectors, <i>minifast</i> connector	4 A/port 9 A total 10-pin <i>minifast</i> connector 10 conductors Mates with RKM 106-*M CSA NRTL© Certified	<u>Function</u> Common +V Ground -V J1 Load J2 Load J3 Load	<u>Pin/Color</u> 10 / WH 8 / GN 7 / RD 1 / OG 9 / BK	<u>Function</u> J4 Load (L2) J5 Load (L2) J6 Load (L2) J7 Load (L2) J8 Load (L2)	<u>Pin / Color</u> 2 / BU 3 / WH / BK 4 / RD / BK 5 / GN / BK 6 / OG / BK	8 RKF 40-RSF100

Functional Wiring Diagram

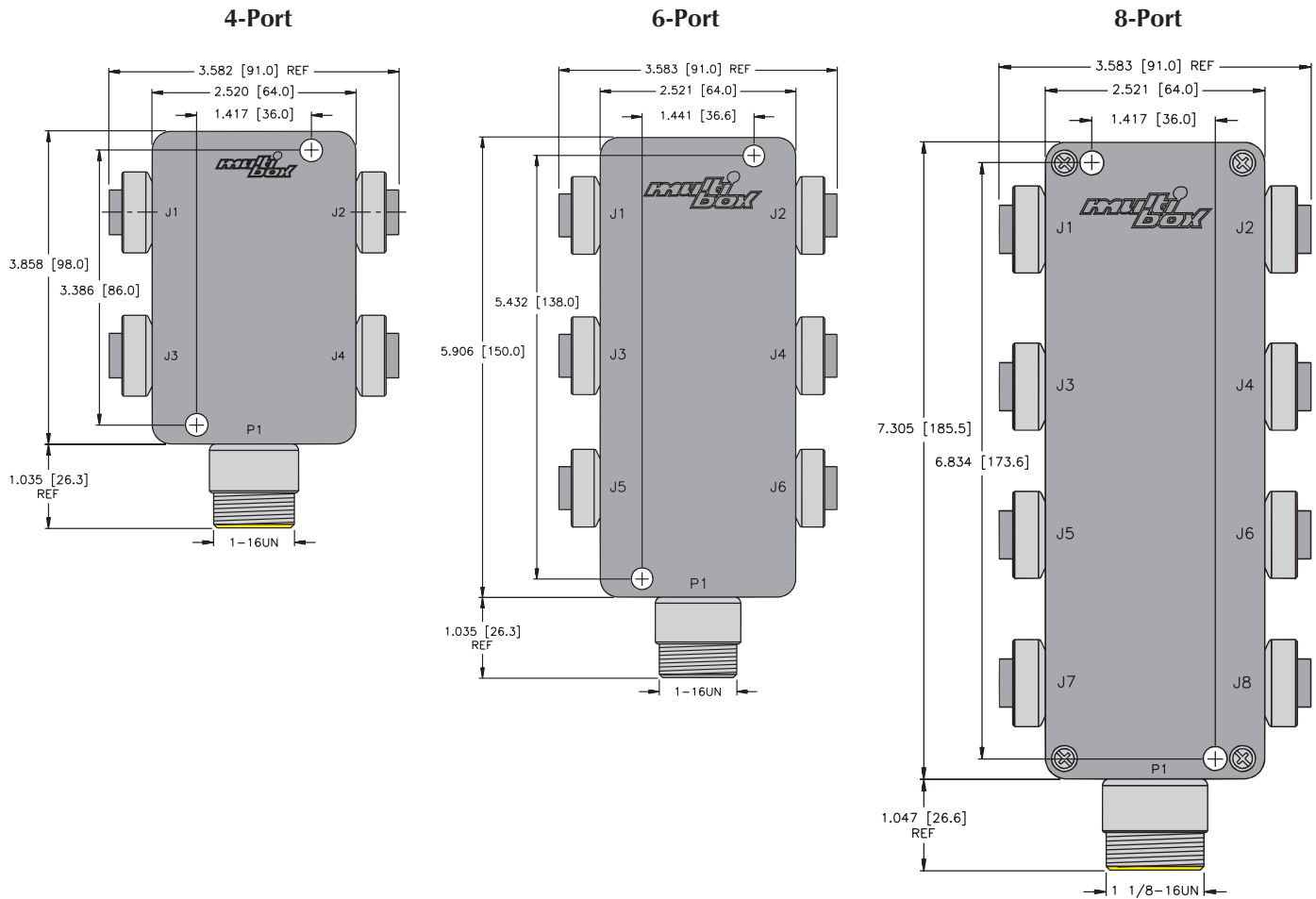


Power (pin 1 and pin 3) are wired parallel internally.
Load (pin 4) is individual output. Pin 2 is not used.

Specifications

Housing:	Die cast aluminum alloy.
Connectors:	Nickel plated brass, oil resistant PUR contact carrier.
Contacts:	Gold plated brass.
Temperature:	-30°C to +80°C (-22°F to +176°F).
Protection:	NEMA 1, 3, 4, 6P and IEC IP 67.

Dimensions

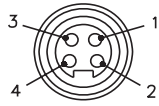
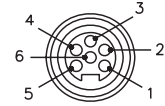

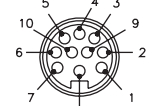


Multibox, minifast

Notes:

Clearance holes for 1/4-20 screws (2 places).
All housings are 34.0 mm in height.

Pinout

Female	Male	Male	Male
			
4-pin minifast	6-pin minifast	8-pin minifast	10-pin minifast



multibox® minifast® Junction Boxes, Series Wired

- 4, 6 and 8 Ports
- Quick Disconnect or Integral Home Run Cable
- Simplifies Wiring Installations
- Series Wired for Logic Wiring AND or NOR Junction

4-port, 250 VAC/300 VDC

Application	Specifications	Pinout		Part Number
4 port J-box Series wired Integral cable	4 A/port, 9 A total PVC cable, yellow, 3/16 AWG CSA Certified	Function Common (L1) Ground Load (L2)	Color WH GN BK	4 RKF 301-*M
4 port J-box Series wired minifast connector	4 A/port, 9 A total 3-pin minifast connector, 3 conductors, mates with RKM 36-*M CSA Certified	Function Common (L1) Ground Load (L2)	Pin / Color 3 / WH 1 / GN 2 / BK	4 RKF 301-B1131

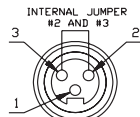
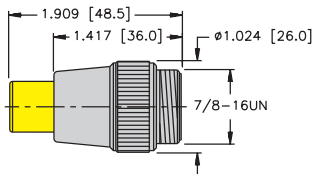
6-port, 250 VAC/300 VDC

Application	Specifications	Pinout		Part Number
6 port J-box Series wired Integral cable	4 A/port, 9 A total PVC cable, yellow, 3/16 AWG CSA Certified	Function Common (L1) Ground Load (L2)	Color WH GN BK	6 RKF 301-*M
6 port J-box Series wired minifast connector	4 A/port, 7 A total 3-pin minifast connector, 3 conductors, mates with RKM 36-*M CSA Certified	Function Common (L1) Ground Load (L2)	Pin / Color 3 / WH 1 / GN 2 / BK	6 RKF 301-B1131

8-port, 250 VAC/300 VDC

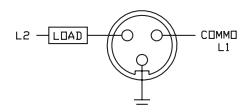
Application	Specifications	Pinout		Part Number
8 port J-box Series wired Integral cable	4 A/port, 9 A total PVC cable, yellow, 3/16 AWG, CSA Certified	Function Common (L1) Ground Load (L2)	Color WH GN BK	8 RKF 301-*M
8 port J-box Series wired minifast connector	4 A/port, 9 A total 3-pin minifast connector, 3 conductors, mates with RKM 36-*M CSA Certified	Function Common (L1) Ground Load (L2)	Pin / Color 3 / WH 1 / GN 2 / BK	8 RKF 301-B1131

RSM 30-J23



Jumper plug For use on unused inputs

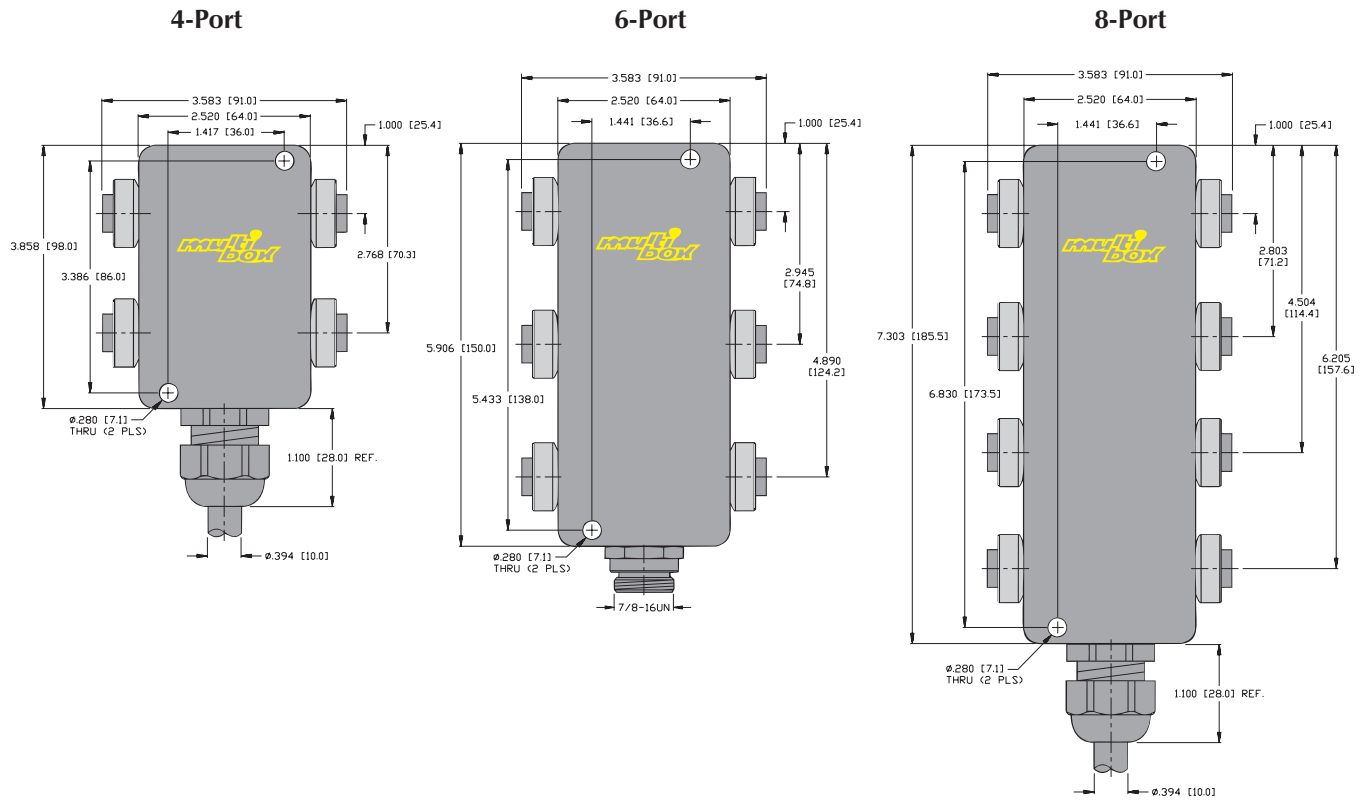
Functional Wiring Diagram



Specifications

Housing:	Die cast aluminum alloy.
Connector:	Nickel plated brass, oil resistant PUR contact carrier.
Contacts:	Gold plated brass.
Cable:	See table for specifications.
Temperature:	-30°C to +80°C (-22°F to +176°F).
Protection:	NEMA 1, 3, 4, 6P and IEC IP 67.
Cable Length:	Standard cable length is 6 meters. Other lengths available by request - consult factory.

Dimensions



Multibox, minifast

Pinout

Female	Male
3-pin minifast	3-pin minifast

Notes:

Clearance holes for 1/4-20 screws (2 places).
All housings are 34.0 mm in height.



multibox® *microfast*® Junction Boxes

- 4, 6 and 8 Ports
- For AC Sensors
- Quick Disconnect or Integral Home Run Cable
- Simplifies Wiring Installations

4-port, 250 VAC / 300 VDC

Application	Specifications	Pinout				Part Number
4-port J-box Standard wiring Integral cable	4 A/port, 9 A total PVC cable, black, 6/18 AWG, foil shield and 20 AWG drain CSA Certified	<u>Function</u> Common (L1) Ground J1 Load (L2)	<u>Color</u> WH GN RD	<u>Function</u> J2 Load (L2) J3 Load (L2) J4 Load (L2)	<u>Color</u> OG BK BU	VBKB 40-*
4-port J-box Standard wiring, <i>multifast</i> connector	4 A/port, 7 A total 12-pin <i>multifast</i> connector, 6 conductors, mates with CKRM 12-6-* CSA Certified	<u>Function</u> Common (L1) Ground J1 Load (L2)	<u>Pin / Color</u> 5 / WH 7 / GN 6 / RD	<u>Function</u> J2 Load (L2) J3 Load (L2) J4 Load (L2)	<u>Pin / Color</u> 1 / OG 4 / BK 2 / BU	VBKB 40-CS12
4-port J-box Standard wiring <i>minifast</i> connector	4 A/port, 9 A total 6-pin <i>minifast</i> connector, 6 conductors, mates with RKM 66-*M CSA Certified	<u>Function</u> Common (L1) Ground J1 Load (L2)	<u>Pin / Color</u> 1 / WH 3 / GN 2 / RD	<u>Function</u> J2 Load (L2) J3 Load (L2) J4 Load (L2)	<u>Pin / Color</u> 4 / OG 5 / BK 6 / BU	VBKB 40-B1161

6-port, 250 VAC / 300 VDC

Application	Specifications	Pinout				Part Number
6-port J-box Standard wiring Integral cable	4 A/port, 9 A total PVC cable, black, 8/18 AWG, foil shield and 20 AWG drain CSA Certified	<u>Function</u> Common (L1) Ground J1 Load (L2) J2 Load (L2)	<u>Color</u> WH GN RD OG	<u>Function</u> J3 Load (L2) J4 Load (L2) J5 Load (L2) J6 Load (L2)	<u>Color</u> BK BU YE BN	VBKB 60-*
6-port J-box Standard wiring <i>multifast</i> connector	4 A/port, 7 A total 12-pin <i>multifast</i> connector, 8 conductors, mates with CKRM 12-8-* CSA Certified	<u>Function</u> Common (L1) Ground J1 Load (L2) J2 Load (L2)	<u>Pin / Color</u> 5 / WH 7 / GN 6 / RD 1 / OG	<u>Function</u> J3 Load (L2) J4 Load (L2) J5 Load (L2) J6 Load (L2)	<u>Pin / Color</u> 4 / BK 2 / BU 3 / YE 8 / BN	VBKB 60-CS12

8-port, 250 VAC / 300 VDC

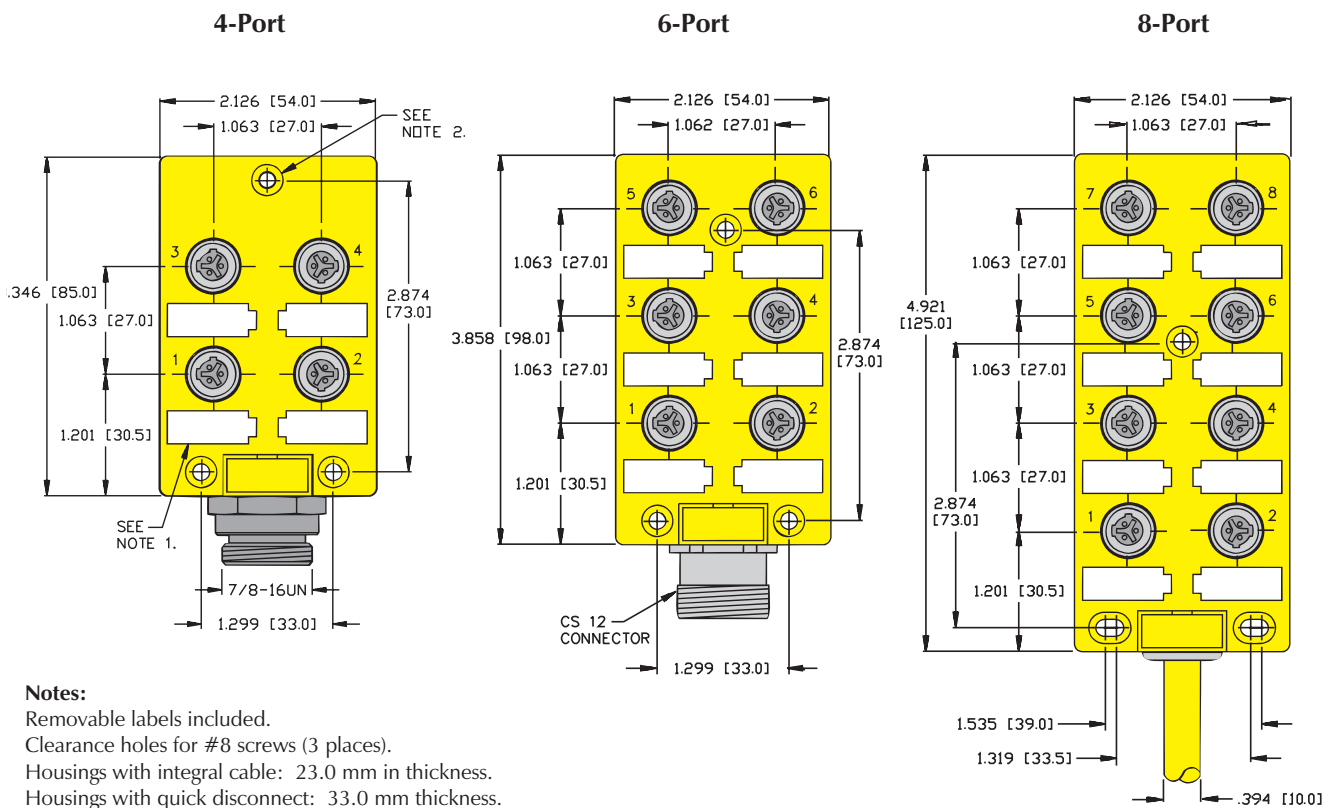
Application	Specifications	Pinout				Part Number
8-port J-box Standard wiring Integral cable	4 A/port, 9 A total PVC cable, black, 10/18 AWG, foil shield and 20 AWG drain CSA Certified	<u>Function</u> Common (L1) Ground J1 Load (L2) J2 Load (L2) J3 Load (L2)	<u>Color</u> WH GN RD VT BK	<u>Function</u> J4 Load (L2) J5 Load (L2) J6 Load (L2) J7 Load (L2) J8 Load (L2)	<u>Color</u> BU GY YE OG BN	VBKB 80-*
8-port J-box Standard wiring <i>multifast</i> connector	4 A/port, 7 A total 12-pin <i>multifast</i> connector, 10 conductors, mates with CKRM 12-10-* CSA Certified	<u>Function</u> Common (L1) Ground J1 Load (L2) J2 Load (L2) J3 Load (L2)	<u>Pin / Color</u> 5 / WH 7 / GN 6 / RD 1 / VT 4 / BK	<u>Function</u> J4 Load (L2) J5 Load (L2) J6 Load (L2) J7 Load (L2) J8 Load (L2)	<u>Pin / Color</u> 2 / BU 3 / GY 8 / YE 9 / OG 10 / BN	VBKB 80-CS12

* Length in meters

Specifications

Housing:	Nylon.
Contact Carrier:	Nylon (<i>microfast</i> [®]).
Contacts:	Gold plated brass.
Thread Inserts:	Nickel plated brass.
Cable:	See table.
Temperature:	-30°C to +80°C (-22°F to +176°F).
Protection:	NEMA 1, 3, 4, 6P and IEC IP 67.
Cable Length:	Standard cable length is nominal 5 meters. Other lengths available by request - consult factory.
Accessories:	(2) SB-CC closure caps and a VZ1 label kit included.

Dimensions



Multibox, microfast

- Notes:**
 Removable labels included.
 Clearance holes for #8 screws (3 places).
 Housings with integral cable: 23.0 mm in thickness.
 Housings with quick disconnect: 33.0 mm thickness.

Functional Wiring Diagram



Pinout

Female	Male	Male
3-pin microfast	6-pin minifast	12-pin multifast



multibox® *microfast*® Junction Boxes with LEDs

- 4 and 8 Ports
- For AC Sensors
- Simplifies Wiring Installation
- Quick Disconnect or Integral Home Run Cable
- LEDs for Power and Signal

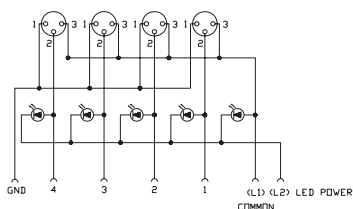
4-port, 40-120 VAC

Application	Specifications	Pinout				Part Number
4 port J-box Standard wiring Integral cable	4 A/port, 9 A total PVC cable, black, 7/18 AWG, foil shield and 20 AWG drain CSA NRTL®	<u>Function</u> Common (L1)	<u>Color</u> WH	<u>Function</u> J2 Load (L2)	<u>Color</u> OG	VBKB 40-X5-*
		LED Power (L2)	WH / BK	J3 Load (L2)	BK	
		Ground	GN	J4 Load (L2)	BU	
		J1 Load (L2)	RD			
4 port J-box Standard wiring <i>multifast</i> connector	4 A/port, 7 A total 12-pin <i>multifast</i> connector, 7 conductors, mates with CKBM 12-7- CSA NRTL®	<u>Function</u> Common (L1)	<u>Pin / Color</u> 3 / WH	<u>Function</u> J2 Load (L2)	<u>Pin / Color</u> 5 / OG	VBKB 40-X5-CS12
		LED Power (L2)	1 / WH/BK	J3 Load (L2)	2 / BK	
		Ground	7 / GN	J4 Load (L2)	6 / BU	
		J1 Load (L2)	4 / RD			

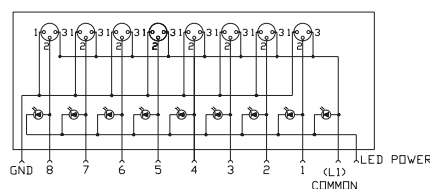
8-port, 40-120 VAC

Application	Specifications	Pinout				Part Number
8 port J-box Standard wiring Integral cable	4 A/port, 9 A total PVC cable, black 11/18 AWG, foil shield and 20 AWG drain CSA NRTL®	<u>Function</u> Common (L1)	<u>Color</u> WH	<u>Function</u> J4 Load (L2)	<u>Color</u> BU	VBKB 80-X9-*
		LED Power (L2)	BU / BK	J5 Load (L2)	WH / BK	
		Ground	GN	J6 Load (L2)	RD / BK	
		J1 Load (L2)	RD	J7 Load (L2)	GN / BK	
		J2 Load (L2)	OG	J8 Load (L2)	OG / BK	
		J3 Load (L2)	BK			
8 port J-box Standard wiring <i>multifast</i> connector	4 A/port, 7 A total 12-pin <i>multifast</i> connector, 11 conductors, mates with CKBM 12-11- CSA NRTL®	<u>Function</u> Common (L1)	<u>Pin / Color</u> 11 / WH	<u>Function</u> J4 Load (L2)	<u>Pin / Color</u> 2 / BU	VBKB 80-X9-CS12
		LED Power (L2)	7 / BU/BK	J5 Load (L2)	3 / WH / BK	
		Ground	9 / GN	J6 Load (L2)	4 / RD / BK	
		J1 Load (L2)	10 / RD	J7 Load (L2)	5 / GN / BK	
		J2 Load (L2)	1 / OG	J8 Load (L2)	6 / OG / BK	
		J3 Load (L2)	12 / BK			

Functional Wiring Diagram



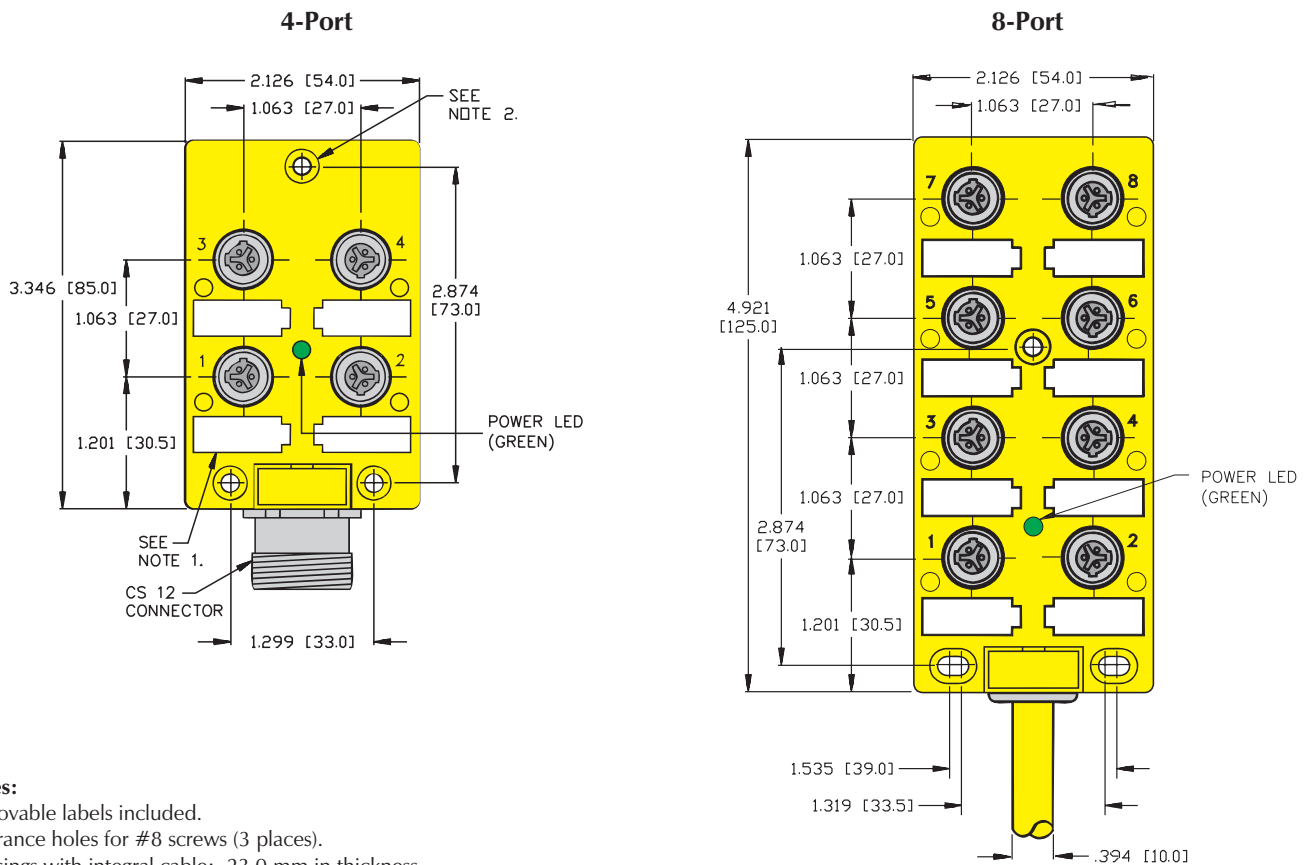
Functional Wiring Diagram



Specifications

Housing:	Nylon.
Contact Carrier:	Nylon (<i>microfast</i> [®]).
Contacts:	Gold plated brass.
Thread Inserts:	Nickel plated brass.
Cable:	See table.
Temperature:	-30°C to +80°C (-22°F to +176°F).
Protection:	NEMA 1, 3, 4, 6P and IEC IP 67.
Cable Length:	Standard cable length is nominal 5 meters. Other lengths available by request - consult factory.
Accessories:	(2) SB-CC closure caps and a VZ1 label kit included.

Dimensions



Multibox, microfast

Notes:

- Removable labels included.
- Clearance holes for #8 screws (3 places).
- Housings with integral cable: 23.0 mm in thickness.
- Housings with quick disconnect: 33.0 mm thickness.
- Green LED = Power on (center position)
- Yellow LED = Signal (outer position).

Pinout

Female	Male
3-pin microfast	12-pin multibase

multibox® 2 - Branch Molded Splitters

- Consolidate 2 Sensors/Actuators into One
- *picofast*® or *eurofast*® Connector Branches
- Nylon Housing
- IEC IP 67 Protection

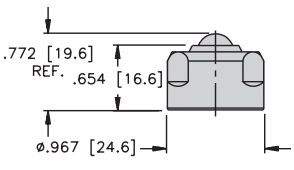
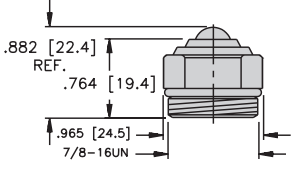
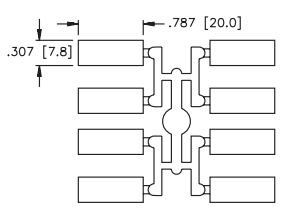
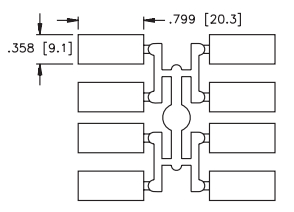
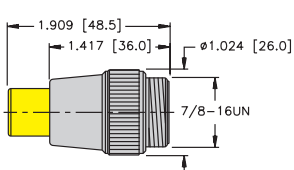
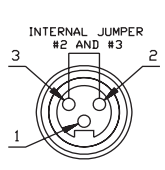
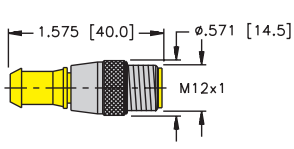
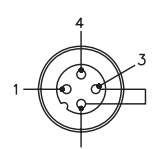
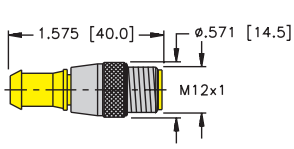
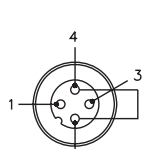


Drawing	Part Number	Specs	Application	Wiring Diagrams
	YP2-MFS 4/2MFK 3	2 <i>picofast</i> branches Yellow PUR 80°C 125 VAC/DC, 2 A	Combine 2 sensors/actuators with <i>picofast</i> connector branches into one	
	YP2-PX2-MFS 4/2MFK 3	2 <i>picofast</i> branches Transparent PUR 80°C 30 VAC/DC, 2 A	Combine 2 sensors/actuators with <i>picofast</i> connector branches into one, LEDs	
	YB2-FSM 4.5-2FKM 4.5 (Fits black box)	2 <i>eurofast</i> branches Black PUR 80°C 250 VAC/300 VDC, 4 A	Combine 2 sensors/actuators with <i>eurofast</i> connector branches into one	
	YB2-FSM 4.5-2FKM 4.5/S1063 (Fits yellow box)	2 <i>eurofast</i> branches Grey PUR 80°C 250 VAC/300 VDC, 4 A		
	YB2-FSM 4.5/2PKG 3M	2 <i>picofast</i> branches Black PUR 80°C 30 VAC/DC, 2 A	Combine 2 sensors/actuators with <i>picofast</i> connector branches into one	
	YB22-FSM 4.5/2FKM 4.5/S771	2 <i>eurofast</i> branches Black PUR 80°C 250 VAC/ 300 VDC, 4 A	Combine 2 sensors/actuators with <i>eurofast</i> (Fixcon) connector branches into one	
	YB22-PX3-FSM 4.5/2FKM 4.5	2 <i>eurofast</i> branches Transparent PUR 80°C 36 VDC, 4 A	Combine 2 sensors/actuators with <i>eurofast</i> (Fixcon) connector branches into one, LEDs	

Standard coupling nut material is nickel plated brass.

Pinouts

Female		Male
5-Pin <i>eurofast</i>	3-Pin <i>picofast</i>	5-Pin <i>eurofast</i>

Housing Style	Part Number	Specs.	Application	Pinout
	RKF-MC	Nickel plated brass 7/8-16UN threads No lanyard nitrile gasket	Mates to male cordsets, receptacles, or junction box	N/A
	RKFV-MC	Stainless Steel 7/8-16UN threads No lanyard nitrile gasket	Mates to male cordsets, receptacles, or junction box	N/A
	RSF-MC	Nickel plated brass 7/8-16UN threads No lanyard nitrile gasket	Mates to female cordsets, receptacles, or junction box	N/A
	RSFV-MC	Stainless Steel 7/8-16UN threads No lanyard nitrile gasket	Mates to female cordsets, receptacles, or junction box	N/A
	RSFK-MC	Nylon 7/8-16UN threads No lanyard nitrile gasket	Mates to female cordsets, receptacles, or junction box	N/A
	VZ 1	Nylon 8 white labels 8x20 mm each	Snap-in labels for <i>eurofast</i> and <i>microfast</i> junction boxes, <i>Vfast</i>	N/A
	VZ 12	Nylon 40 white labels 9x20 mm each	Snap-in labels for <i>eurofast</i> junction boxes, <i>Vfast</i>	N/A
	RSM 30-J23	<i>minifast</i> [®] 7/8-16UN thread 300 V 80°C		
	RS 4.4T-J23	<i>eurofast</i> [®] M12x1 thread 250 V, 4 A 105°C	Jumper plug for use on unused inputs	
	RS 4.4T-J24	<i>eurofast</i> [®] M12x1 thread 250 V, 4 A 105°C		

Multibox