

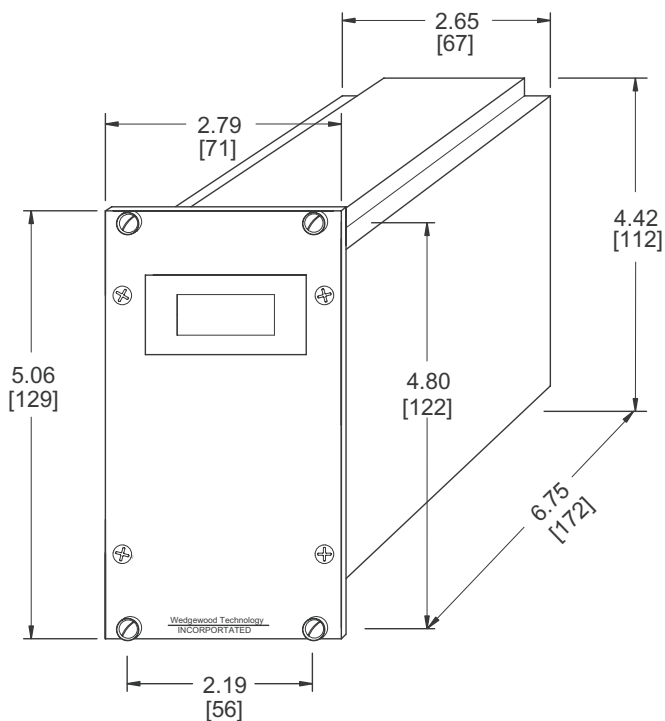
Model 622 Conductivity Monitor



The Model 622 conductivity monitor is used with either the Model B607 or the Model B605 pH/conductivity sensor to measure the conductivity and temperature of process liquids

- Choice of two conductivity scale ranges with remote range selection capability
- Current and voltage outputs for conductivity and temperature
- Programmed temperature compensation curves for NaCl and KCl
- Four-electrode conductivity sensor input for enhanced measurement range
- Accepts Pt1000 RTD for improved accuracy (alpha constant = 0.00375)
- Ideally suited for chromatography applications in the biopharmaceutical industry
- Type 4 DIN plug in unit 3U x 14HP x 160mm deep (2.8" W x 5.1" H x 6.7" D) conserves space and simplifies mounting

Model 622	Specifications
Signal inputs	Dual channel resistive input for conductivity or temperature
Range	Scale A. 0-10μS/cm, 0-100μS/cm, 0-1mS/cm, 0-10mS/cm, 0-100mS/cm Full Scale Scale B. 0-20μS/cm, 0-200μS/cm, 0-2mS/cm, 0-20mS/cm, 0-200mS/cm Full Scale
Accuracy	+/- 2 % of full scale
Signal outputs	2, 4-20 mA, 400 ohm load for cond. and temp. 0-2 Vdc, 10k ohm load for cond. and temp.
Power	115, 230VAC, 50-60Hz, 6VA optional 24Vdc, 5W
Operating environment	Temperature 0-55 °C; relative humidity 0-90 %



Dimensions Diagram

622								
	Power Supply							
	A	115 Vac						
	B	230 Vac						
	D	24 Vdc						
	Flowcell							
	6	Kynar flowcell (BT721/BT724 sensors)						
	7	Stainless steel flowcell (BT728 sensor)						
	Transmitter Range							
	T-	0 - 200 mS/cm						
	U-	0 - 100 mS/cm						
	Cable Type							
	-T	To BT721/724 inline cond./temp. sensor						
	BQ	To B725 cond./temp. tank probe sensor						
	-N	None						
	Cable Length							
	F	Feet						
	N	None (BT728 sensor)						
					Enter 3 digit cable code from choices below:			
					10 ft: 010			
					15 ft: 015			
					25 ft: 025			
					For no cable, enter ---			

Order Code